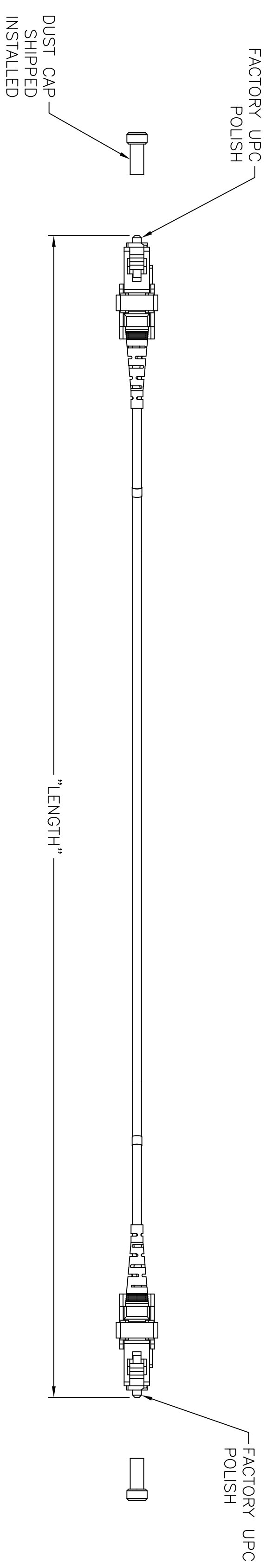
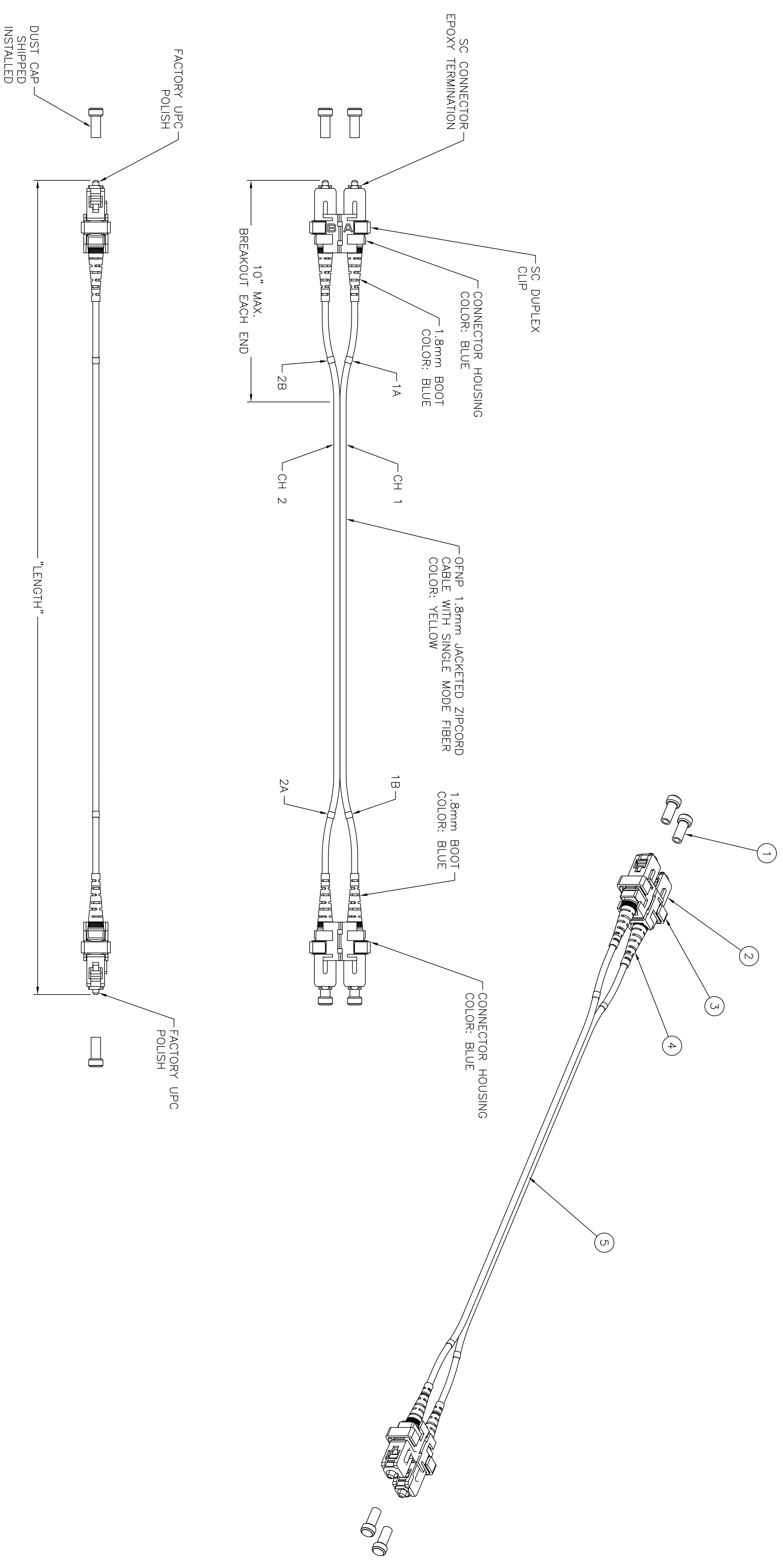


ITEM NO.	DESCRIPTION	QTY.
1	SC CONNECTOR DUST CAP	4
2	SC CONNECTOR BODY	4
3	SC DUPLEX CLIP	2
4	1.8mm SC CONNECTOR BOOT	4
5	1.8mm DUPLEX CABLE	A/R

CATALOG NUMBER	DESCRIPTION
DFPSCSCSXSM	9/125um 052 SC-SC DUPLEX CORD

\*X\* = 1 THRU 25 (METERS)



NOTES:

- CONNECTOR OPTICAL, MECHANICAL, AND ENVIRONMENTAL PERFORMANCE MEETS TIA/EIA-568-C.3 SPECIFICATIONS.
- CONNECTOR USES A PC RADIUS TIP ZIRCONIA CERAMIC FERRULE.
- CONNECTOR HOUSING IS INJECTION MOLDED ENGINEERING PLASTIC RESIN.
- OPTICAL INSERTION LOSS AND RETURN LOSS TEST DATA INCLUDED IN EACH BAGGED PATCH CORD.
- CABLE MARKINGS TO IDENTIFY CHANNEL (1 OR 2) AND EACH END (A OR B).
- SPECIFICATIONS SUBJECT TO CHANGE WITHOUT PRIOR NOTICE.

REV.	EGN	DATE	DESCRIPTION	CHG BY	APPD BY
C	18030	01/11/13	REVISE CABLE TO PLENUM; ADDITIONAL LENGTHS	MMA	

Created on AUTOCAD		DIMENSIONING AND TOLERANCE PER ANSI Y14.5M-1992 UNLESS OTHERWISE SPECIFIED, DIMENSIONS ARE IN INCHES .xxx = ±.005 (127) .xxxx = ±.0025 (.0635) ANGLE TOL. ±1°	
PROJECT REFERENCE:		DRAWN BY: PAUL S. MAQUIRE 02/12/03	
MATERIAL:		CHECKED BY: CINDY TALBOT 04/24/03	
APPROVED BY: CINDY TALBOT 04/24/03		TITLE: FIBER PATCH CORDS ASSY, SINGLEMODE SC-SC DUPLEX	
SIZE: D	DRAWING NO.: 11278C	SCALE: 1/1	REV: C
Hubbell Premise Wiring Hubbell Incorporated (Delaware) 141 Lord's Hill Road, Sturington, Connecticut 06378		FIBER PATCH CORDS ASSY, SINGLEMODE SC-SC DUPLEX	