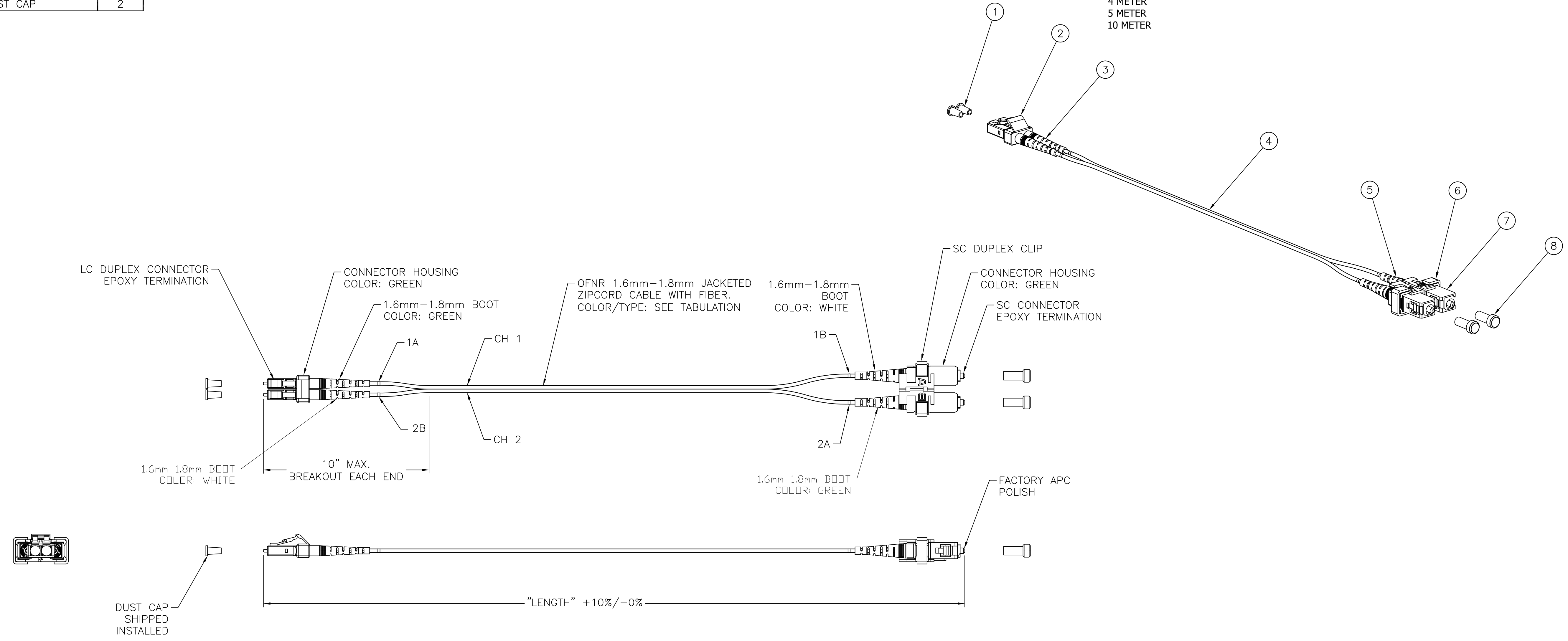


ITEM NO.	DESCRIPTION	QTY.
1	LC CONNECTOR DUST CAP	2
2	LC DUPLEX CONNECTOR BODY	1
3	LC CONNECTOR BOOT	2
4	DUPLEX CABLE	A/R
5	SC CONNECTOR BOOT	2
6	SC DUPLEX CLIP	1
7	SC CONNECTOR BODY	2
8	SC CONNECTOR DUST CAP	2

CATALOG NO.	DESCRIPTION	CABLE TYPE	CABLE JACKET COLOR
DFRCLCASCASxxSM	FIBER OPTIC PATCHCORD, RISER, SINGLEMODE, LC/APC-SC/APC DUPLEX, xx* METER	9/125 OS2	YELLOW


xx* MEANS AVAILABLE IN THE FOLLOWING LENGTHS:

- 1 METER
- 2 METER
- 3 METER
- 4 METER
- 5 METER
- 10 METER



- NOTES:
- CONNECTOR OPTICAL, MECHANICAL AND ENVIRONMENTAL PERFORMANCE MEETS TIA568-C.3 SPECIFICATIONS.
 - CONNECTOR USES A APC RADIUS TIP ZIRCONIA CERAMIC FERRULE.
 - CONNECTOR HOUSINGS ARE INJECTION MOLDED ENGINEERING PLASTIC RESIN.
 - OPTICAL INSERTION LOSS AND RETURN LOSS TEST DATA INCLUDED IN EACH BAGGED PATCH CORD.
 - CABLE MARKINGS TO IDENTIFY CHANNEL (1 OR 2) AND EACH END (A OR B).
 - POLARITY: A TO B PER TIA-568.3.
 - SPECIFICATIONS SUBJECT TO CHANGE WITHOUT PRIOR NOTICE.

REV.	ECN	DATE	DESCRIPTION	CHG BY	APPD BY
2	21494	09/08/16	REVISED TABLE	JJRJ	MMA

Created on AUTOCAD	DIMENSIONING AND TOLERANCE PER ANSI Y14.5M-1982 UNLESS OTHERWISE SPECIFIED, DIMENSIONS ARE IN INCHES (MM). TOLERANCES .XX = ±.01 (.25) .XXX = ±.005 (.127) .XXXX = ±.0025 (.0635) ANGLE TOL ±1°		PROJECT REFERENCE: 094-13	 Hubbell Premise Wiring HUBBELL INCORPORATED (Delaware) 23 CLARA DRIVE, SUITE 103 MYSTIC, CT 06355	
	IN ACCEPTING OUR DRAWINGS, BLUEPRINTS, OR SUPPORTING DOCUMENTATION FOR QUOTATION OR OTHER PURPOSES, YOU AGREE NOT TO DISCLOSE TO OTHERS THE IDEAS, INFORMATION, OR DESIGNS SHOWN HEREIN, AND THAT YOU WILL MAKE NO USE OF SAME WITHOUT PERMISSION		MATERIAL:		TITLE: FIBER PATCH CORDS SINGLEMODE LC/APC - SC/APC DUPLEX 9/125
	DRAWN BY: D.O'CONNOR 12/19/13		CHECKED BY:	SIZE: D	DRAWING NO. HWS14385C
	APPROVED BY:		APPROVED BY:	SCALE: 1/1	REV. 2