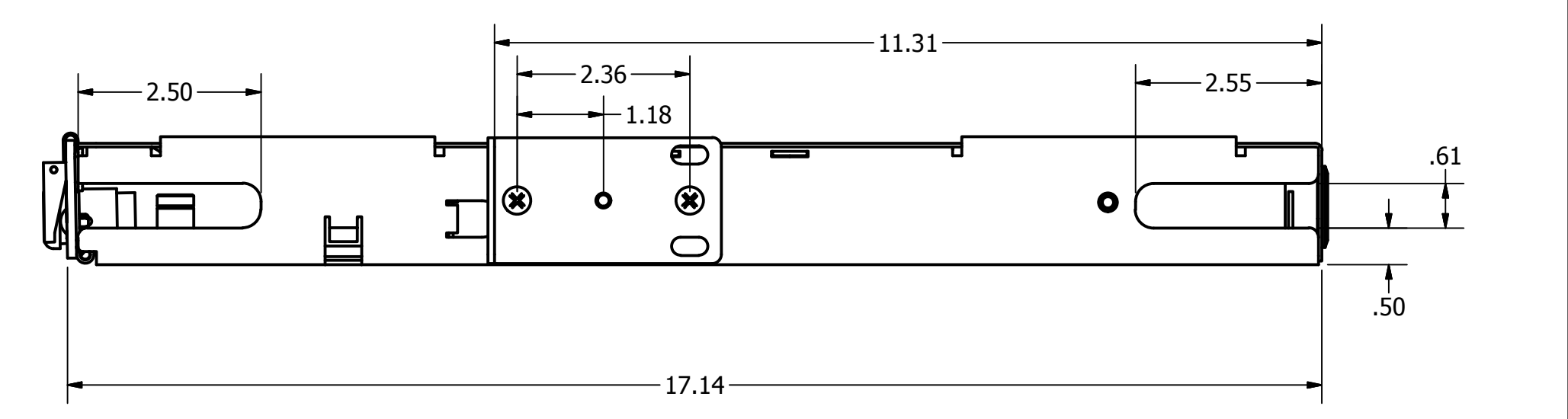
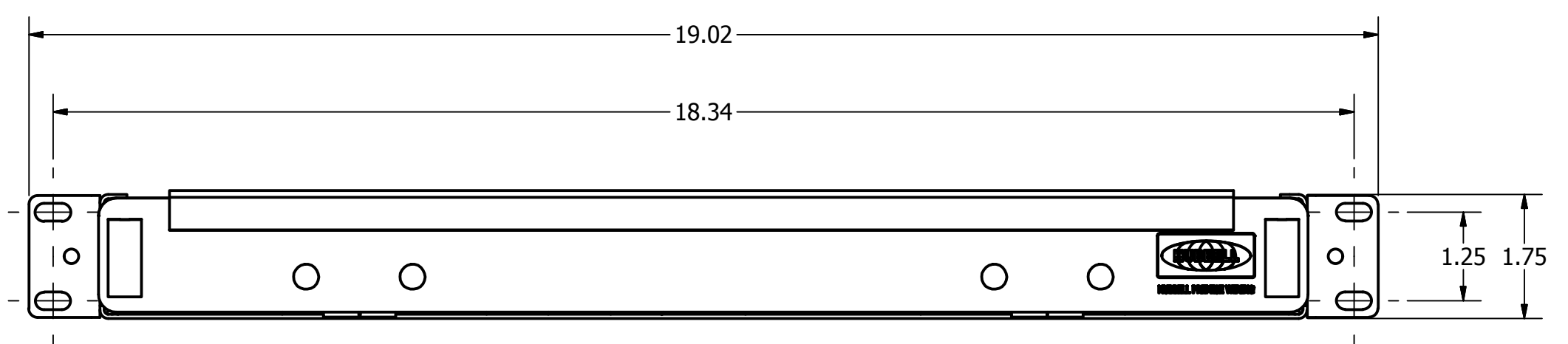
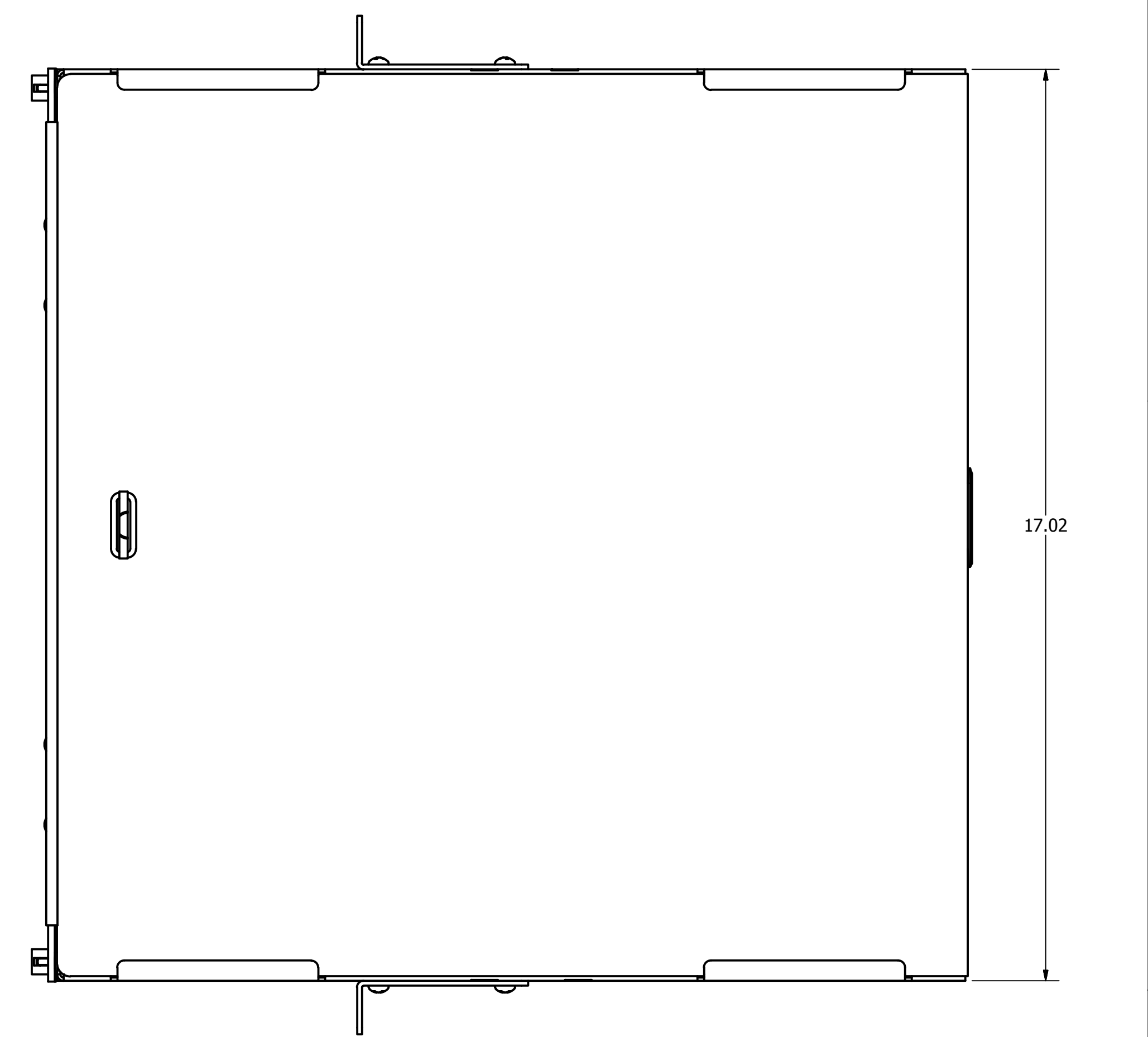
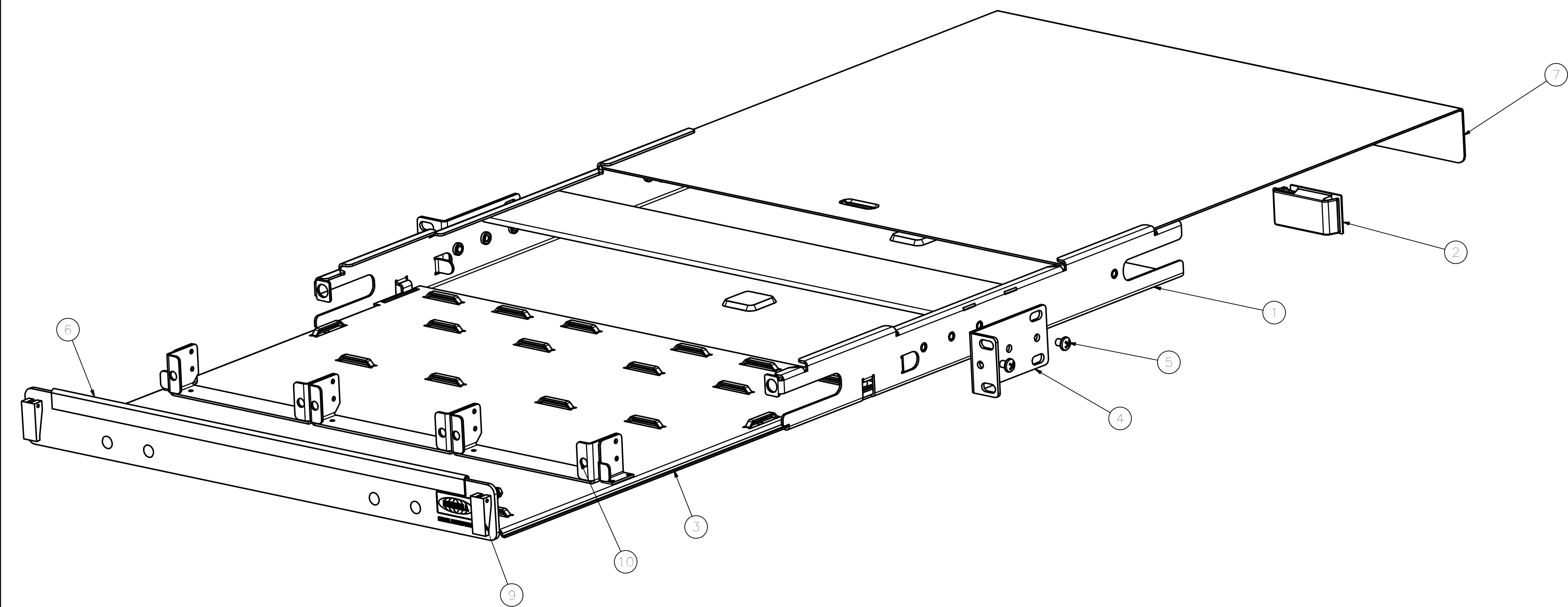


CATALOG NO.	DESCRIPTION
FCR1U3SP	1U FIBER ENCLOSURE
FCR1U3SPNA	1U FIBER ENCLOSURE W/LOCK



NOTES:

1. SURFACE FINISH: BLACK POWDER COAT
2. SPECIFICATIONS SUBJECT TO CHANGE WITHOUT NOTICE.

ITEM	QTY.	DESCRIPTION
10	3	FSP MOUNTING BRACKET
9	2	DOOR LATCH
8	1	FCR 1U ACCESSORY KIT
7	1	FCR 1U COVER
6	1	LABEL HOLDER
5	4	#10-32 X 1/4" PH SCREW
4	2	RACK MOUNTING BRACKET
3	1	FCR 1U TRAY SUB ASSEMBLY
2	1	COVER LATCH
1	1	FCR 1U BASE

Created on INVENTOR	DIMENSIONING AND TOLERANCE PER ANSI Y14.5M-1982, UNLESS OTHERWISE SPECIFIED, DIMENSIONS ARE IN INCHES (MM). TOLERANCES: XX = ±.01 (.25) .XXX = ±.005 (.127) .XXXX = ±.0025 (.0635) ANGLE TOL ±1°		PROJECT REFERENCE: 2008-030			
	IN ACCEPTING OUR DRAWINGS, BLUEPRINTS, OR SUPPORTING DOCUMENTATION FOR QUOTATION OR OTHER PURPOSES, YOU AGREE NOT TO DISCLOSE TO OTHERS THE IDEAS, INFORMATION, OR DESIGNS SHOWN HEREIN, AND THAT YOU WILL MAKE NO USE OF SAME WITHOUT PERMISSION		MATERIAL: N/A			
	REV.	ECN	DATE	DESCRIPTION	CHG BY	APPD BY
	2	22427	01/27/17	REVISED CATALOG NUMBER CALLOUT	MMA	DO

HUBBELL Hubbell Premise Wiring
HUBBELL INCORPORATED (Delaware)
14 Lord's Hill Road, Stonington, Connecticut 06378

TITLE:
FCR1U3SP FIBER ENCLOSURE ASSEMBLY

SIZE: **D** DRAWING NO.: **HWS12965C** REV.: **2**

SCALE: **N/A** SHEET **1** OF **1**

REV.	ECN	DATE	DESCRIPTION	CHG BY	APPD BY
2	22427	01/27/17	REVISED CATALOG NUMBER CALLOUT	MMA	DO