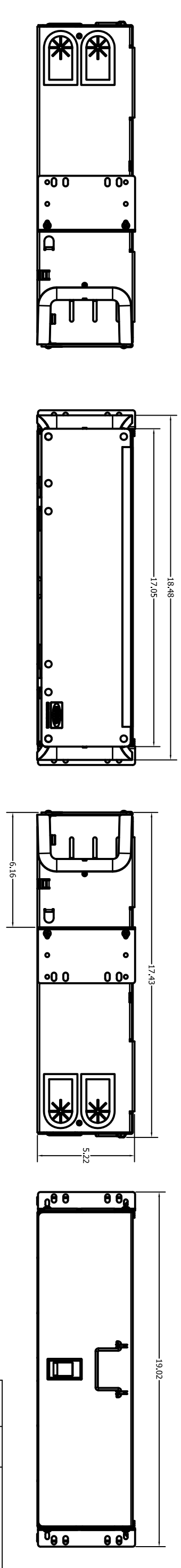
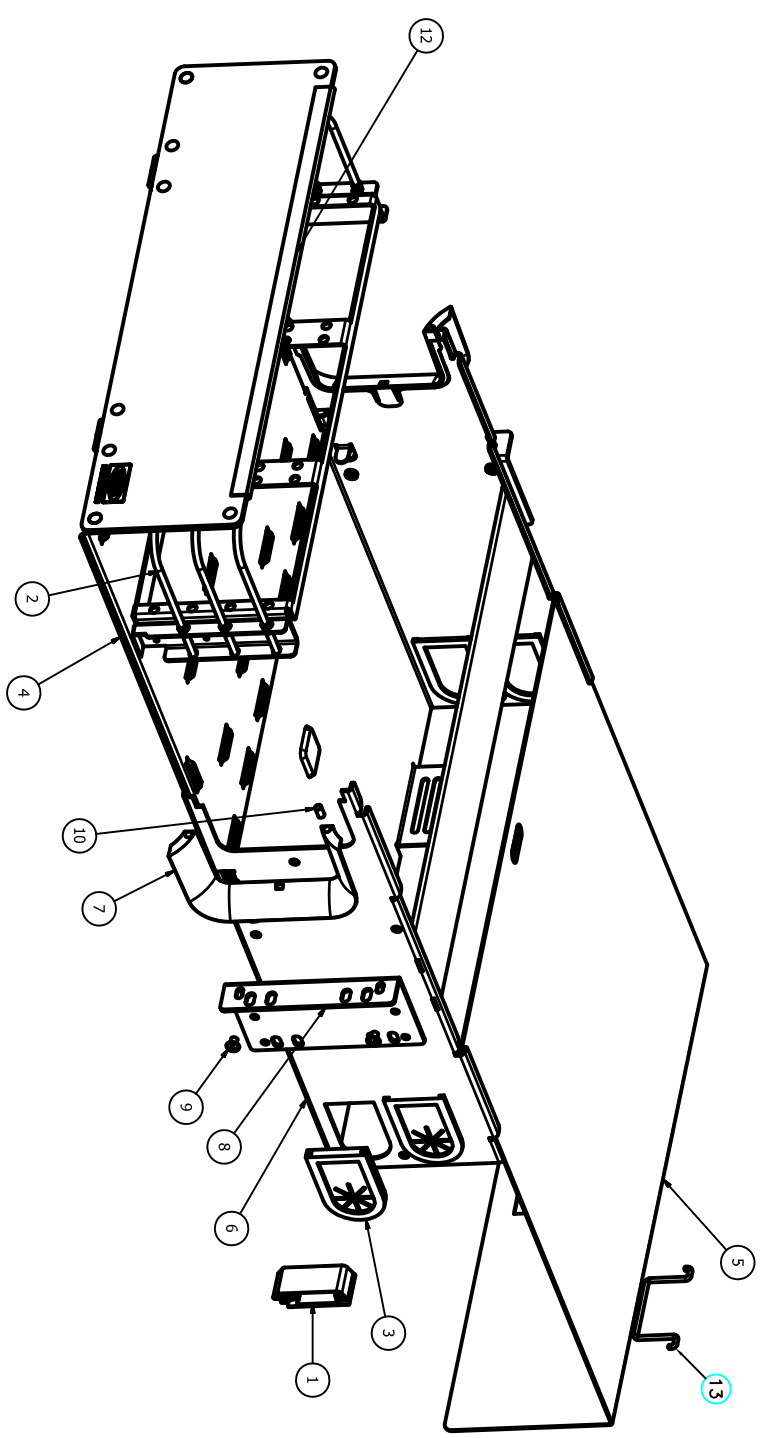


CATALOG NUMBER	DESCRIPTION
FCR3U12SP	3U FIBER ENCLOSURE, BLACK
FCR3U12SP/L	3U FIBER ENCLOSURE, WITH LOCKABLE DOOR, BLACK



NOTES:
1. SPECIFICATIONS SUBJECT TO CHANGE WITHOUT NOTICE.

11

ACCESSORY KIT

DESCRIPTION	QTY.
WIRE TIE, 10.75" BLACK	8
#12-24 HARDWARE PACK	1
WARNING LABEL	1
VELCRO FASTENER STRAP, 2 FT ROLL	1
INSTRUCTION SHEET	1
PLASTIC FIBER ROUTING SPOOL	4
LABEL SHEET	2

ITEM	QTY	DESCRIPTION
13	1	GRAB HANDLE
12	1	LABEL HOLDER
11	1	ACCESSORY KIT (NOT SHOWN)
10	4	MAGNETIC DOOR LATCH
9	4	10-32X1/4" PAN HD PHLP SS
8	2	MOUNTING BRACKET
7	2	BEND RELIEF BRACKET
6	1	BASE
5	1	COVER
4	1	TRAY SUB ASSEMBLY
3	4	CABLE GROMMET
2	3	FRONT CABLE MANAGER BAR
1	1	SLIDE LATCH



Hubbell Premise Wiring
HUBBELL INCORPORATED (Delaware)
14 Lord's Hill Road, Stoughton, Connecticut 06378

DIMENSIONING AND TOLERANCE
PER ANSI Y14.5M-1982
UNLESS OTHERWISE SPECIFIED,
DIMENSIONS ARE IN INCHES (MM).
TOLERANCES: XX = ±.01 (.25)
XXX = ±.005 (.127)
.XXXX = ±.0025 (.0635)
ANGLE: TO: .5°

PROJECT REFERENCE: 2008-030
MATERIAL:

TITLE: FCR3U12SP ASSEMBLY
DRAWN BY: D.O'CONNOR 11/11/11
CHECKED BY:
APPROVED BY:

REV.	ECON	DATE	DESCRIPTION	CHG BY	APPD BY
1	17165	11/11/11	INITIAL RELEASE	DPO	

SIZE: DRAWING NO. HWS12899C
SCALE: N/A
SHEET: 1 OF 1
REV.: 1

A B C D

A B C D

8 7 6 5 4 3 2 1

8 7 6 5 4 3 2 1