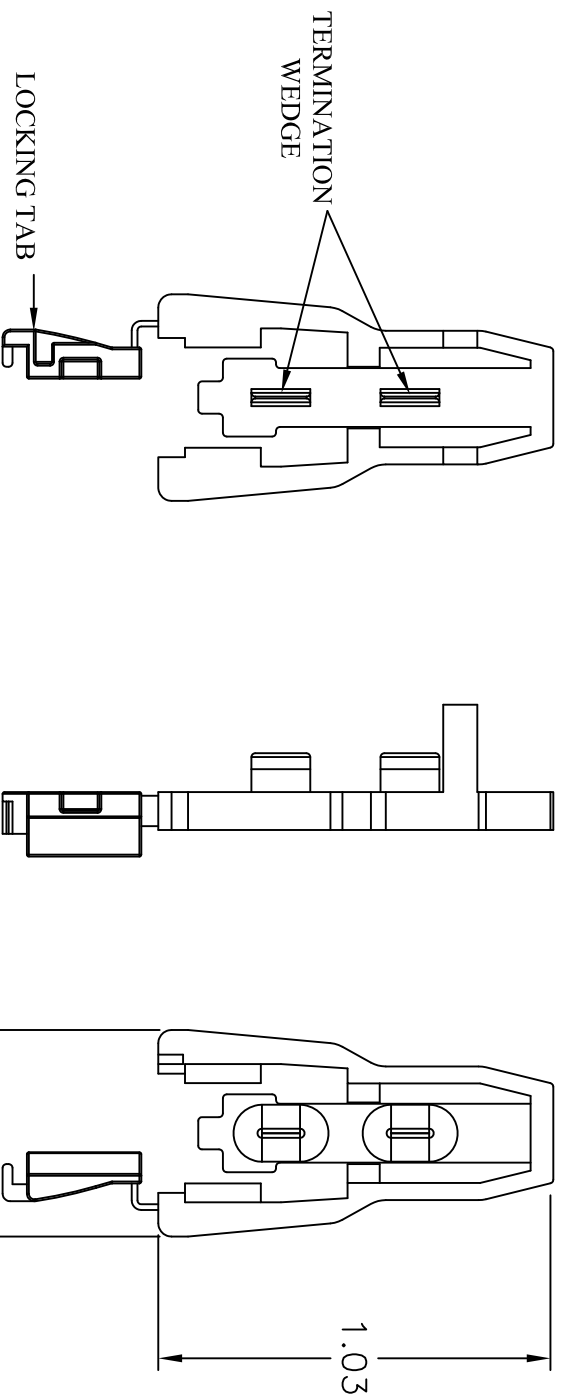
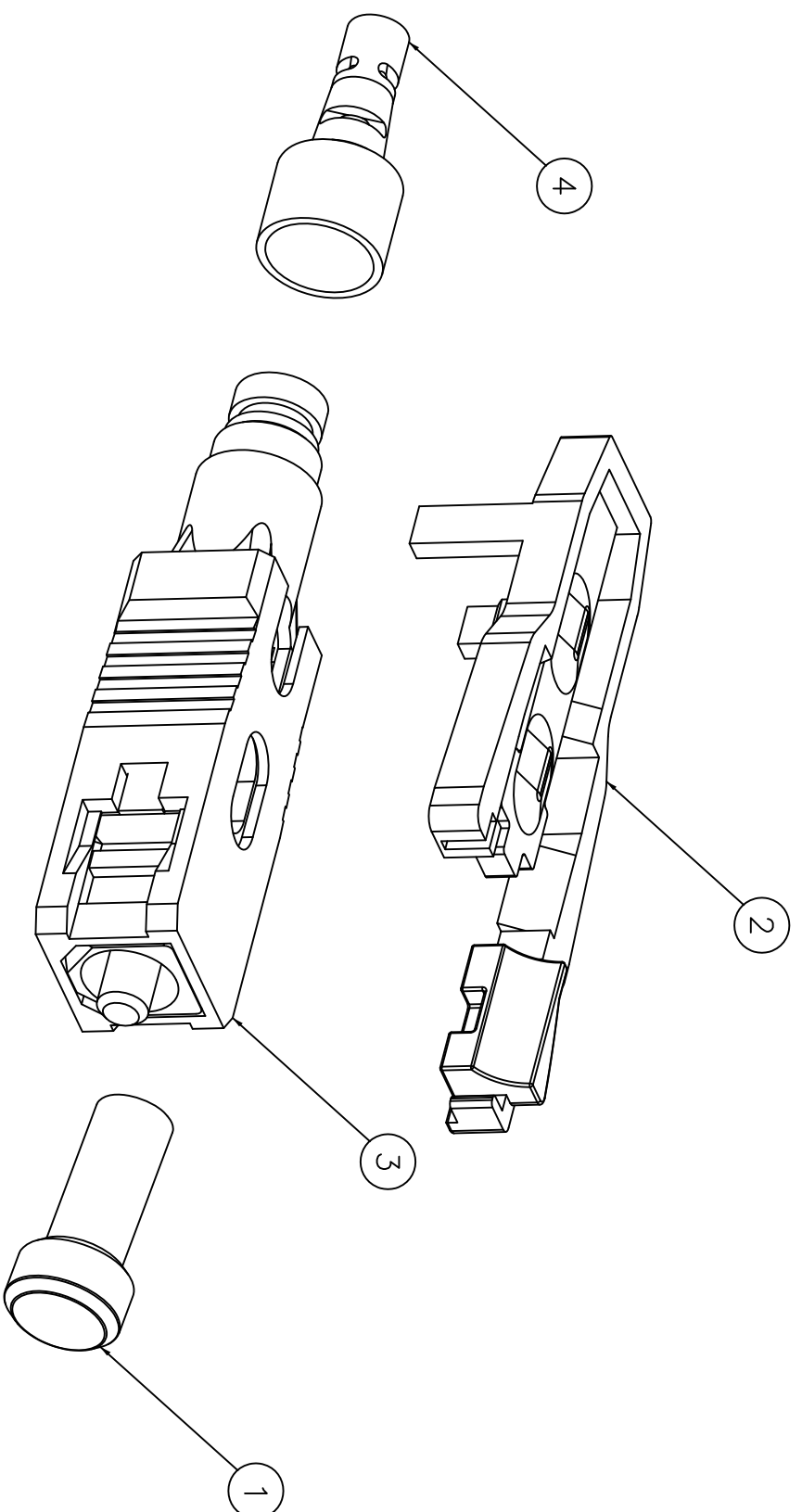
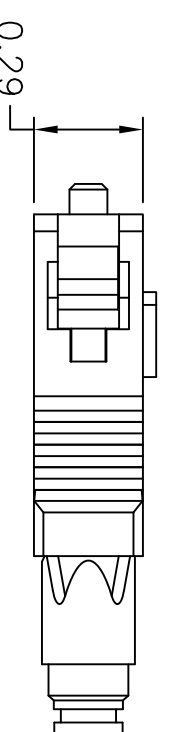
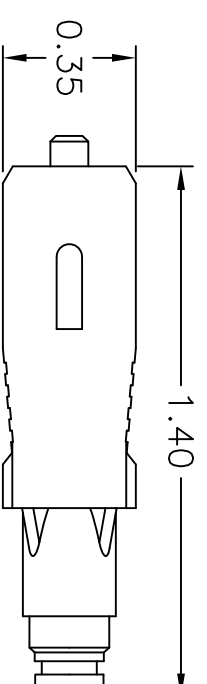


ITEM NO.	DESCRIPTION	QTY.
1	DUST CAP	1
2	TERMINATION "WEDGE" CLIP	1
3	SC CONNECTOR BODY	1
4	STRAIN RELIEF BOOT 900um BLACK	1

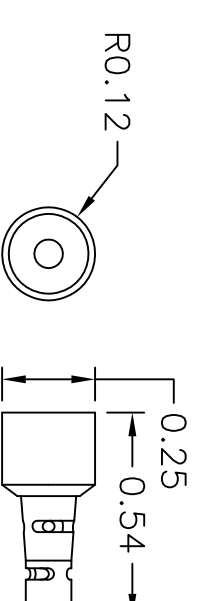
CATALOG NUMBER	COLOR	DESCRIPTION
FCSC900K62M12	BEIGE	CONN, SC PRE-POLISHED, 62.5/125 MM, 12PK
FCSC900K50M12	BLACK	CONN, SC PRE-POLISHED, 50/125 MM, 12PK
FCSC900K50GM12	AQUA	CONN, SC PRE-POLISHED, 50/125 LOMMF, 12PK
FCSC900KSM12	BLUE	CONN, SC PRE-POLISHED, 9/125 PC SM, 12PK
FCSC900KASM12	GREEN	CONN, SC PRE-POLISHED, 9/125 APC SM, 12PK
FCSC900K50GM100	AQUA	CONN, SC PRE-POLISHED, 50/125 LDMMF, 100PK
FCSC900K50M100	BLACK	CONN, SC PRE-POLISHED, 50/125 MM, 100PK
FCSC900K62M100	BEIGE	CONN, SC PRE-POLISHED, 62.5/125 MM, 100PK
FCSC900KSM100	BLUE	CONN, SC PRE-POLISHED, 9/125 SM, 100PK



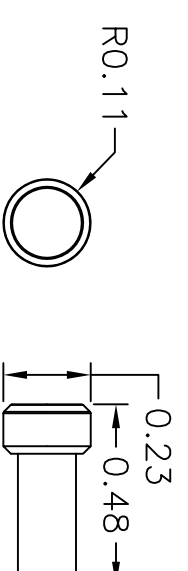
② TERMINATION "WEDGE" CLIP



③ SC CONNECTOR



④ 900um BOOT



① SC DUST CAP

NOTES:

- CONNECTOR IS PRE-POLISHED AND DOES NOT REQUIRE ANY ADHESIVES OR EXPENSIVE TERMINATION TOOLS.
- CONNECTOR TERMINATES EASILY ON 900um BUFFERED FIBER.
- CONNECTOR IS TIA/EIA-568 COMPLIANT.
- CONNECTOR USES A PC RADIUS TIP ZIRCONIA CERAMIC FERRULE.
- INSERTION LOSS < 0.5DB
- EACH CONNECTOR IS INDIVIDUALLY PACKAGED WITH DUST CAP AND TERMINATION CLIP INSTALLED.
- SPECIFICATIONS SUBJECT TO CHANGE WITHOUT PRIOR NOTICE.

REV.	ECN	DATE	DESCRIPTION	CHG BY	APPD BY
B	17143	9/30/11	ADDED 100 PACK CATALOGS	CG	

Created on AUTOCAD

DIMENSIONING AND TOLERANCE PER ANSI Y14.5M-1982 UNLESS OTHERWISE SPECIFIED, DIMENSIONS ARE IN INCHES (MM). TOLERANCES:
 .XX = ±.01 (.25)
 .XXX = ±.005 (.127)
 .XXXX = ±.0025 (.0635)
 ANGLE TOL #1°

IN ACCEPTING OUR DRAWINGS, BLUEPRINTS, OR SUPPORTING DOCUMENTATION FOR QUOTATION OR OTHER PURPOSES, YOU AGREE NOT TO DISCLOSE TO OTHERS THE IDEAS, INFORMATION, OR DESIGNS SHOWN HEREIN, AND THAT YOU WILL MAKE NO USE OF SAME WITHOUT PERMISSION

PROJECT REFERENCE:
2005-031

MATERIAL:

DRAWN BY:
C. GRIBBLE 1/21/10

CHECKED BY:

APPROVED BY:

TITLE:
ASSEMBLY, BOXED, SC PRE-POLISHED FIBER STUB CONNECTOR -PACKS

Hubbell
Hubbell Incorporated (Delaware)
14 Lord's Hill Road, Stonington, Connecticut 06378

SIZE: C

DRAWING NO.: HWS12856C

SCALE: NONE

SHEET 1 OF 1

REV. B