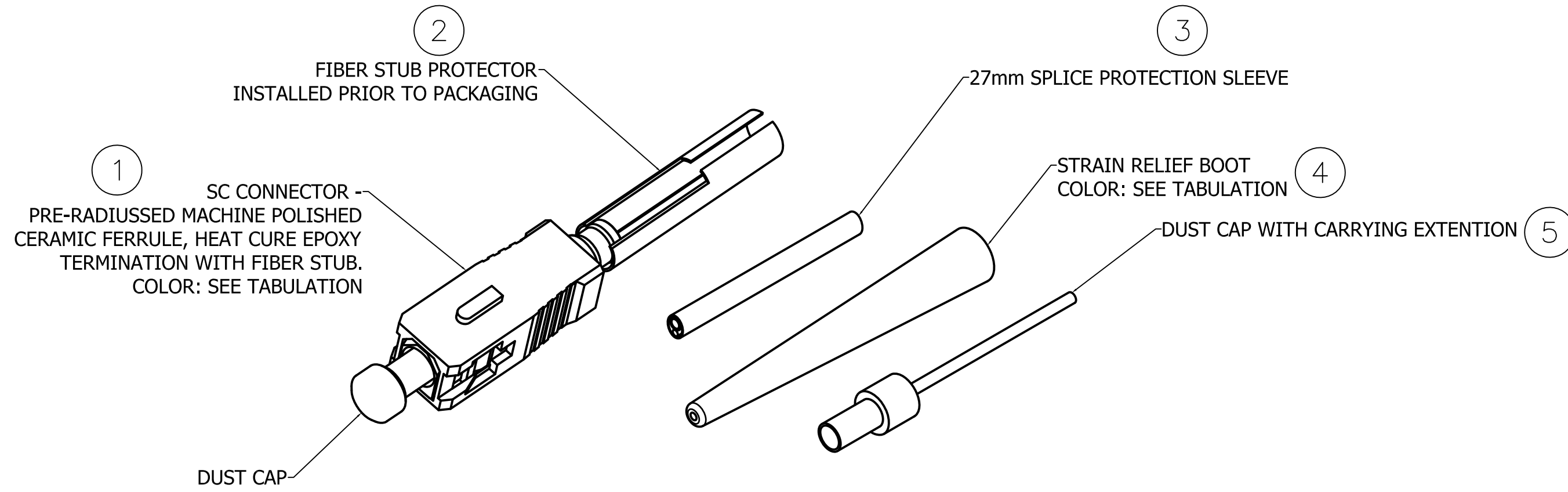
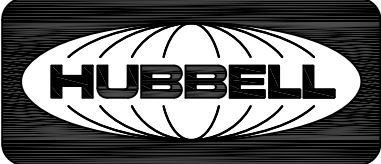


ITEM NO.	DESCRIPTION	QTY.	CATALOG NUMBER	HOUSING COLOR	BOOT COLOR	FIBER TYPE	QTY "N"
1	SC FUSION SPLICE CONNECTOR	"N"	FCSCF900M626PK	BEIGE	BEIGE	62.5/125 OM1 MULTIMODE	6
2	CLEAVE PROTECTOR	"N"	FCSCF900M506PK	BEIGE	BLACK	50/125 OM2 MULTIMODE	6
3	SPLICE SLEEVE	"N"	FCSCF900M50G6PK	AQUA	AQUA	50/125 OM3 MULTIMODE	6
4	STRAIN RELIEF BOOT	"N"	FCSCF900SM6PK	BLUE	WHITE	9/125 OS2 UPC SINGLEMODE	6
5	DUST CAP WITH CARRYING EXTENSION	"N"	FCSCF900SMA6PK	GREEN	GREEN	9/125 OS2 APC SINGLEMODE	6
6	INSTRUCTION SHEET	1	FCSCF900M50G100PK	AQUA	AQUA	50/125 OM3 APC MULTIMODE	100
			FCSCF900SM100PK	BLUE	WHITE	9/125 OS2 UPC SINGLEMODE	100



NOTES:

1. INSERTION LOSS SHALL BE 0.3dB MAX FOR SINGLEMODE AND 0.4dB MAX FOR MULTIMODE
2. RETURN LOSS SHALL BE 35dB (TYPICAL) FOR MULTIMODE, >55dB FOR UPC SINGLEMODE, AND >65dB FOR APC SINGLEMODE.
3. OM3 FIBER TO BE RATED FOR 10Gb/s TRANSMISSION OVER 300 METERS AT 850nm.
4. SPECIFICATIONS SUBJECT TO CHANGE WITHOUT NOTICE.

Created on AUTOCAD	DIMENSIONING AND TOLERANCE PER ANSI Y14.5M-1982 UNLESS OTHERWISE SPECIFIED, DIMENSIONS ARE IN INCHES (MM). TOLERANCES .XX = ±.01 (.25) .XXX = ±.005 (.127) .XXXX = ±.0025 (.0635) ANGLE TOL ±1°		PROJECT REFERENCE: <b>2012-003</b>		 <b>Hubbell Premise Wiring</b> HUBBELL INCORPORATED (Delaware) 14 Lord's Hill Road, Stonington, Connecticut 06378
			MATERIAL: SEE NOTES		
			DRAWN BY: C. GRIBBLE 6/27/12		TITLE: FIBER OPTIC FUSION SPLICE CONNECTOR SC
			CHECKED BY:		SIZE: <b>C</b> DRAWING NO. <b>HWS13049C</b> REV. <b>3</b>
		APPROVED BY:		SCALE: 1.5/1 SHEET 1 OF 1	

REV.	ECN	DATE	DESCRIPTION	CHG BY	APPD BY
3	22472	06/01/17	REVISED	AK	MMA