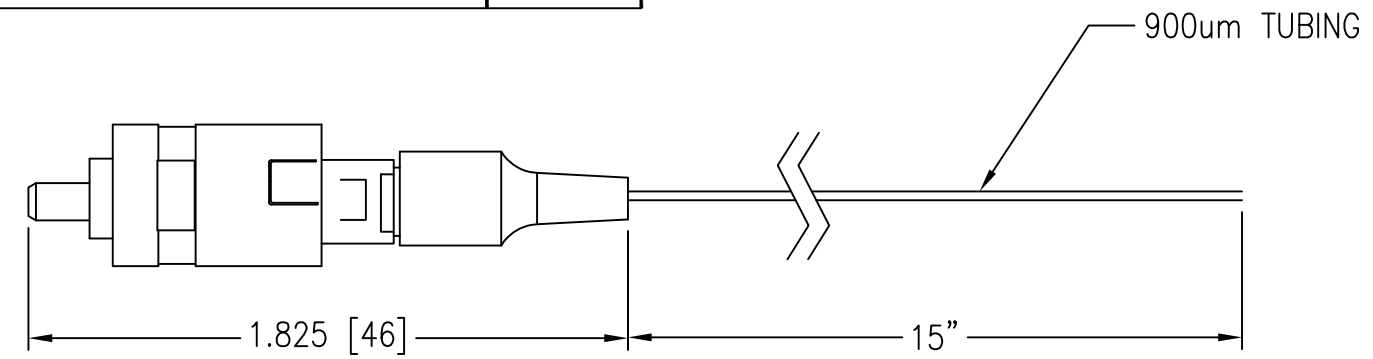
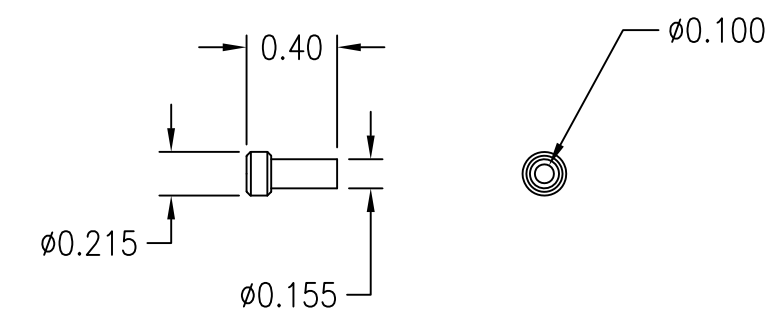
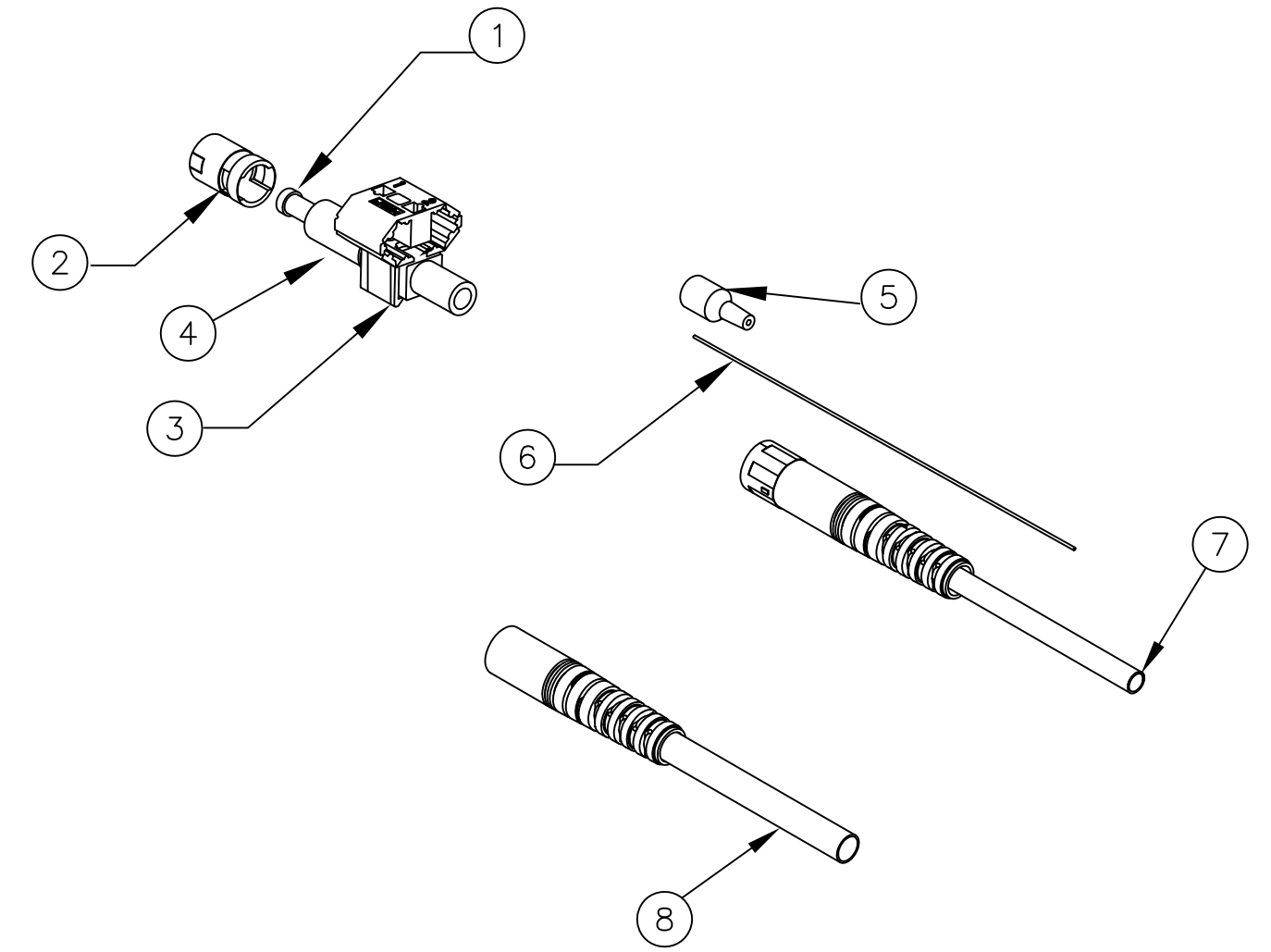


ITEM NO.	DESCRIPTION	QTY.
1	DUST CAP	1
2	ST COUPLING NUT	1
3	TERMINATION CLIP	1
4	ST CONNECTOR BODY	1
5	STRAIN RELIEF BOOT	1
6	900um TUBING	1
7	BLACK 2.0mm BOOT WITH BLACK TUBING	1
8	BLACK 3.0mm BOOT WITH WHITE TUBING	1

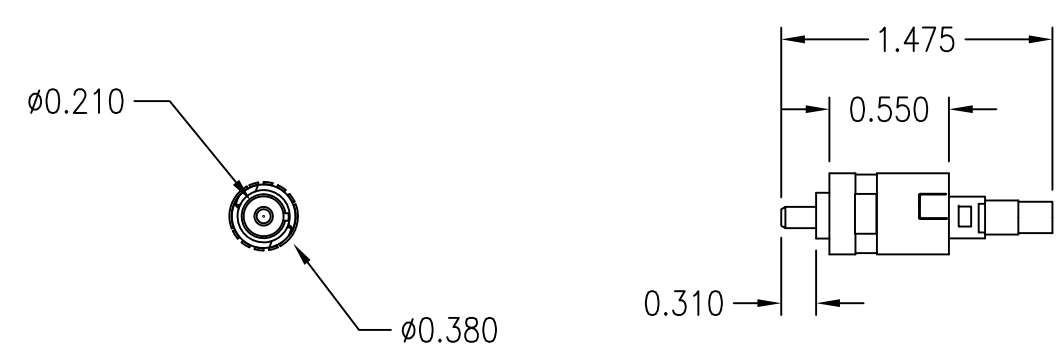
CATALOG NUMBER	COLOR	DESCRIPTION
FCST50M10	BLACK	CONN, ST PRE-POLISHED, 50/125 MM, 10PK
FCST62M10	BEIGE	CONN, ST PRE-POLISHED, 62.5/125 MM, 10PK
FCSTSM10	BLUE	CONN, ST PRE-POLISHED, 9/125 SM, 10PK
FCST50GM10	AQUA	CONN, ST PRE-POLISHED, 50/125 LOMMF, 10PK
FCST50M12	BLACK	CONN, ST PRE-POLISHED, 50/125 MM, 12PK
FCST62M12	BEIGE	CONN, ST PRE-POLISHED, 62.5/125 MM, 12PK
FCSTSM12	BLUE	CONN, ST PRE-POLISHED, 9/125 SM, 12PK
FCST50GM12	AQUA	CONN, ST PRE-POLISHED, 50/125 LOMMF, 12PK



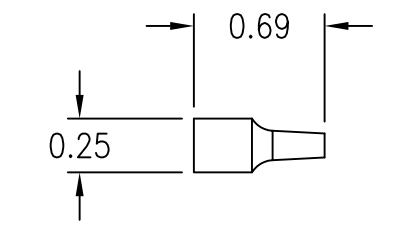
ASSEMBLY
SCALE 2/1



DUST CAP



ST CONNECTOR BODY



900um BOOT

NOTES:

- CONNECTOR IS PRE-POLISHED AND DOES NOT REQUIRE ANY ADHESIVES OR EXPENSIVE TERMINATION TOOLS.
- CONNECTOR TERMINATES EASILY ON 900um BUFFERED FIBER OR 250um COATED FIBER.
- CONNECTOR IS TIA/EIA-568 COMPLIANT.
- CONNECTOR USES A PC RADIUS TIP ZIRCONIA CERAMIC FERRULE.
- INSERTION LOSS < 0.5dB
- EACH CONNECTOR IS INDIVIDUALLY PACKAGED WITH DUST CAP AND TERMINATION CLIP INSTALLED.
- SPECIFICATIONS SUBJECT TO CHANGE WITHOUT PRIOR NOTICE.

Created on AUTOCAD

DIMENSIONING AND TOLERANCE PER ANSI Y14.5M-1982 UNLESS OTHERWISE SPECIFIED, DIMENSIONS ARE IN INCHES (MM).
 TOLERANCES
 .XX = ±.01 (.25)
 .XXX = ±.005 (.127)
 .XXXX = ±.0025 (.0635)
 ANGLE TOL ±1°

IN ACCEPTING OUR DRAWINGS, BLUEPRINTS, OR SUPPORTING DOCUMENTATION FOR QUOTATION OR OTHER PURPOSES, YOU AGREE NOT TO DISCLOSE TO OTHERS THE IDEAS, INFORMATION, OR DESIGNS SHOWN HEREIN, AND THAT YOU WILL MAKE NO USE OF SAME WITHOUT PERMISSION

PROJECT REFERENCE:
2005-031

MATERIAL:

DRAWN BY:
C. DUSSAULT 03/03/06

CHECKED BY:

APPROVED BY:

		Hubbell Premise Wiring HUBBELL INCORPORATED (Delaware) 14 Lord's Hill Road, Stonington, Connecticut 06378	
		TITLE: ASSEMBLY, BOXED, ST STYLE PRE-POLISHED FIBER STUB CONNECTOR -PACKS	
SIZE C	DRAWING NO. HWS12380C	REV. E	
SCALE: NONE		SHEET 1 OF 1	

REV.	ECN	DATE	DESCRIPTION	CHG BY	APPD BY
E	22410	12/13/16	REMOVED CLEAR PROTECTIVE TUBE	DPO	MMA