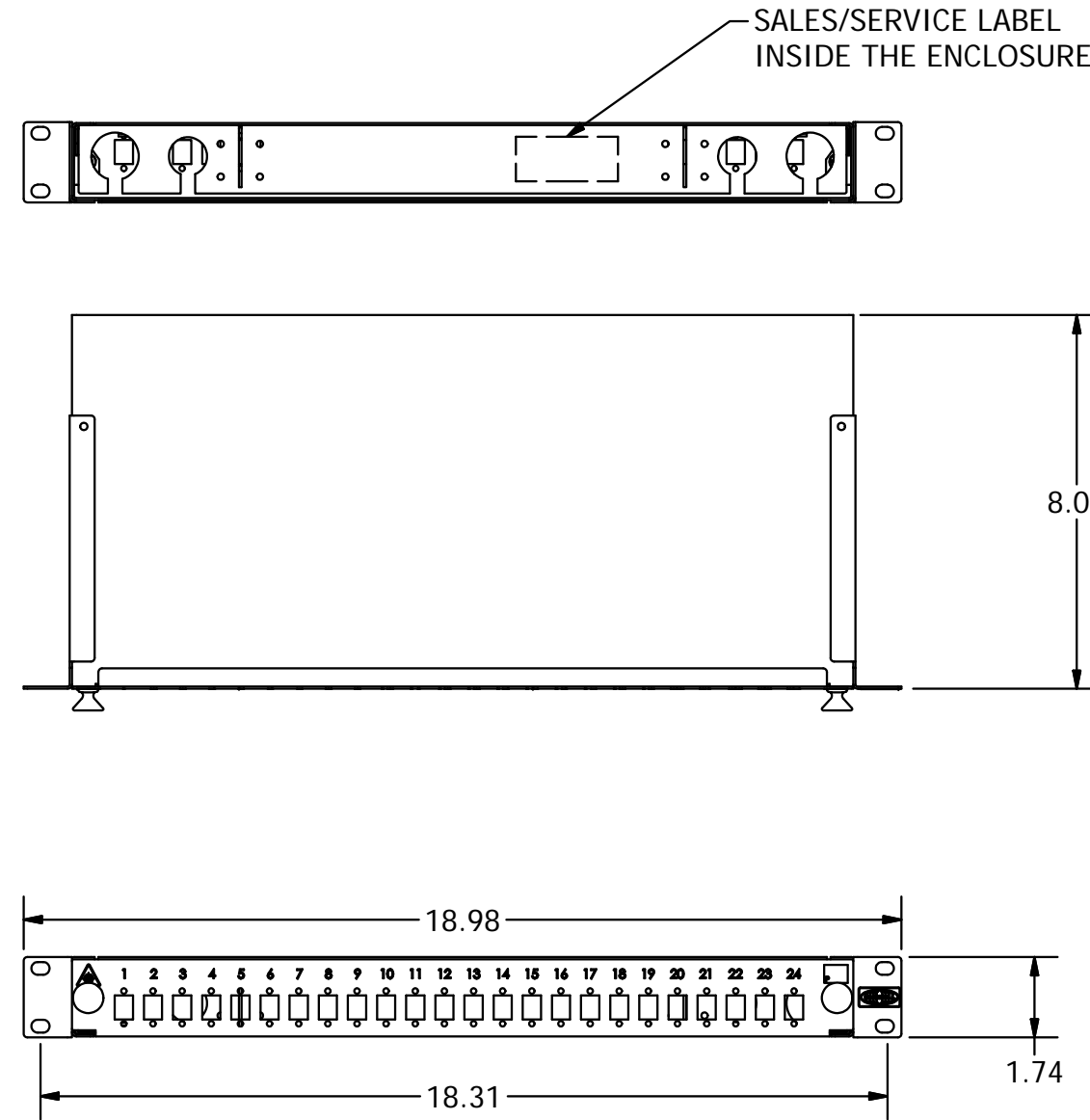
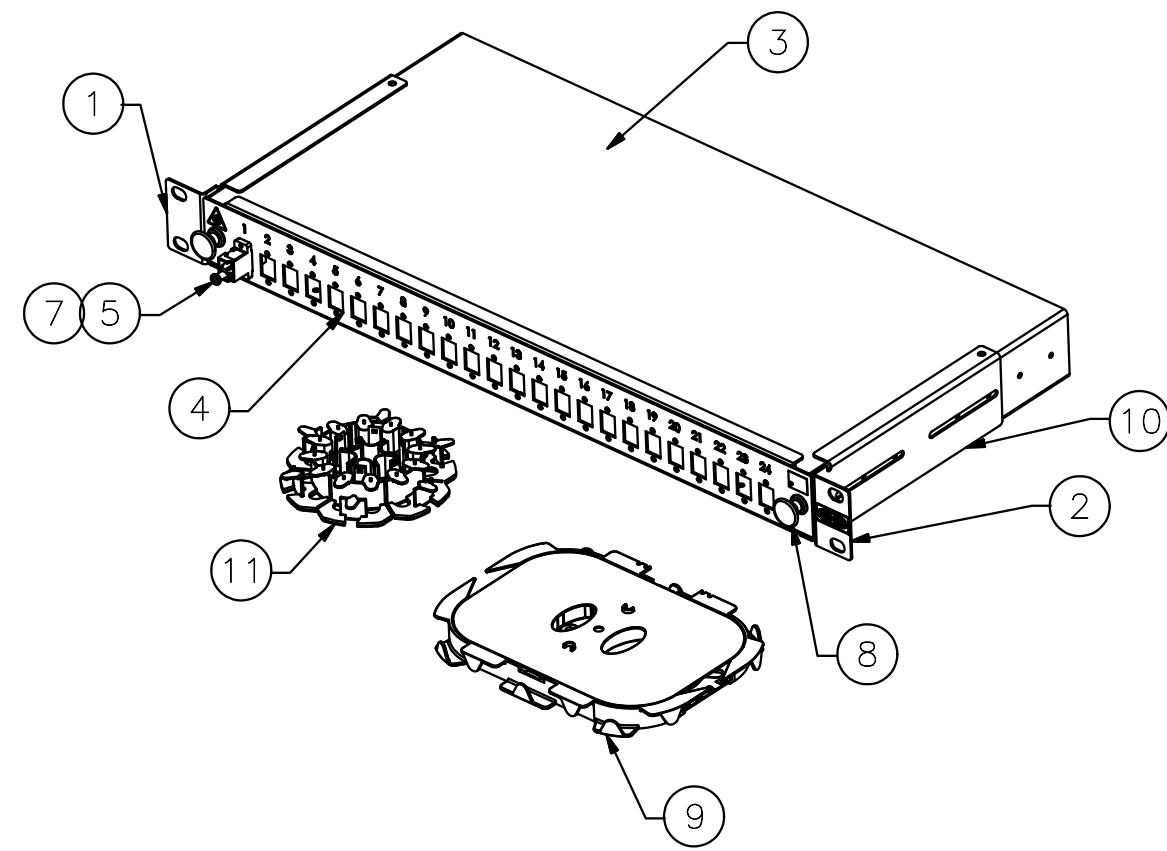
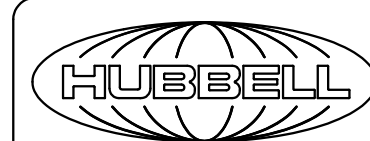


ITEM	DESCRIPTION	QTY	CATALOG NO.	DESCRIPTION	"A" ADAPTER	"B" ADAPTER QTY	"C" BLANKING PLUG QTY	"D" SCREW QTY	"E" SPLICE TRAY	"F" GLAND QTY
1	BRACKET LEFT	1	FEUR12LCDM	FIBER SHELF W/6 DUPLEX LC MM BEIGE ADAPTERS	LC DUPLEX, MM, BEIGE	6	18	12	N/A	1
2	BRACKET RIGHT	1	FEUR16LCDM	FIBER SHELF W/8 DUPLEX LC MM BEIGE ADAPTERS	LC DUPLEX, MM, BEIGE	8	16	16	N/A	1
3	COVER	1	FEUR24LCDM	FIBER SHELF W/12 DUPLEX LC MM BEIGE ADAPTERS	LC DUPLEX, MM, BEIGE	12	12	24	N/A	1
4	BASE SC	1	FEUR12LCDSM	FIBER SHELF W/6 DUPLEX LC SM BLUE ADAPTERS	LC DUPLEX, SM, BLUE	6	18	12	N/A	1
5	"A", FIBER ADAPTER	"B"	FEUR16LCDSM	FIBER SHELF W/8 DUPLEX LC SM BLUE ADAPTERS	LC DUPLEX, SM, BLUE	8	16	16	N/A	1
6	DUPLEX LC BLANKING PLUG (NOT SHOWN)	"C"	FEUR24LCDSM	FIBER SHELF W/12 DUPLEX LC SM BLUE ADAPTERS	LC DUPLEX, SM, BLUE	12	12	24	N/A	1
7	2.2X6.5 SELF TAPPING SCREW	"D"	FEUR12LCDOM3	FIBER SHELF W/6 DUPLEX LC OM3 AQUA ADAPTERS	LC DUPLEX, OM3, AQUA	6	18	12	N/A	1
8	SNAP LATCH	2	FEUR16LCDOM3	FIBER SHELF W/8 DUPLEX LC OM3 AQUA ADAPTERS	LC DUPLEX, OM3, AQUA	8	16	16	N/A	1
9	HWS77712101, SPLICE TRAY	"E"	FEUR24LCDOM3	FIBER SHELF W/12 DUPLEX LC OM3 AQUA ADAPTERS	LC DUPLEX, OM3, AQUA	12	12	24	N/A	1
10	BRACKET MOUNTING SCREW (NOT SHOWN)	4	FEUR48LCDM	FIBER, RKMNT PNL, 1U, W/24 LC-DX, MM, BE	LC DUPLEX, MM, BEIGE	24	0	48	N/A	1
11	HWS77712201, SPOOL	2	FEUR48LCDOM3	FIBER, RKMNT PNL, 1U, W/24 LC-DX, SM, BL	LC DUPLEX, SM, BLUE	24	0	48	N/A	1
12	PG13.5 GLAND (NOT SHOWN)	"F"	FEUR48LCDSM	FIBER, RKMNT PNL, 1U, W/24 LC-DX, MM, AQ	LC DUPLEX, OM3, AQUA	24	0	48	N/A	1
13	CABLE TIE (NOT SHOWN)	4	FEUR12LCDSPM	FIBER, RKMNT PNL, 1U, W/6 LC-DX, MM, BE, SPL	LC DUPLEX, MM, BEIGE	6	18	12	1	1
14	SPLICE COMB (NOT SHOWN)	1	FEUR12LCDSPOM3	FIBER, RKMNT PNL, 1U, W/6 LC-DX, MM, AQ, SPL	LC DUPLEX, OM3, AQUA	6	18	12	1	1
			FEUR12LCDSPSM	FIBER, RKMNT PNL, 1U, W/6 LC-DX, SM, BL, SPL	LC DUPLEX, SM, BLUE	6	18	12	1	1
			FEUR24LCDSPM	FIBER, RKMNT PNL, 1U, W/12 LC-DX, MM, BE, SPL	LC DUPLEX, MM, BEIGE	12	12	24	1	1
			FEUR24LCDSPOM3	FIBER, RKMNT PNL, 1U, W/12 LC-DX, MM, AQ, SPL	LC DUPLEX, OM3, AQUA	12	12	24	1	1
			FEUR24LCDSPSM	FIBER, RKMNT PNL, 1U, W/12 LC-DX, SM, BL, SPL	LC DUPLEX, SM, BLUE	12	12	24	1	1
			FEUR48LCDSPM	FIBER, RKMNT PNL, 1U, W/24 LC-DX, MM, BE, SPL	LC DUPLEX, MM, BEIGE	24	0	48	1	2
			FEUR48LCDSPOM3	FIBER, RKMNT PNL, 1U, W/24 LC-DX, MM, AQ, SPL	LC DUPLEX, OM3, AQUA	24	0	48	1	2
			FEUR48LCDSPSM	FIBER, RKMNT PNL, 1U, W/24 LC-DX, SM, BL, SPL	LC DUPLEX, SM, BLUE	24	0	48	1	2
			FEUR12LCDMD	FIBER, RKMNT PNL, 1U, W/6 LC-DX, MM, BE	LC DUPLEX, MM, BEIGE	6	18	12	N/A	1
			FEUR12LCDOM3D	FIBER, RKMNT PNL, 1U, W/6 LC-DX, MM, AQ	LC DUPLEX, OM3, AQUA	6	18	12	N/A	1
			FEUR12LCDSMD	FIBER, RKMNT PNL, 1U, W/6 LC-DX, SM, BL	LC DUPLEX, SM, BLUE	6	18	12	N/A	1
			FEUR24LCDMD	FIBER, RKMNT PNL, 1U, W/12 LC-DX, MM, BE	LC DUPLEX, MM, BEIGE	12	12	24	N/A	1
			FEUR24LCDOM3D	FIBER, RKMNT PNL, 1U, W/12 LC-DX, MM, AQ	LC DUPLEX, OM3, AQUA	12	12	24	N/A	1
			FEUR24LCDSMD	FIBER, RKMNT PNL, 1U, W/12 LC-DX, SM, BL	LC DUPLEX, SM, BLUE	12	12	24	N/A	1
			FEUR48LCDMD	FIBER, RKMNT PNL, 1U, W/24 LC-DX, MM, BE	LC DUPLEX, MM, BEIGE	24	0	48	N/A	2
			FEUR48LCDOM3D	FIBER, RKMNT PNL, 1U, W/24 LC-DX, MM, AQ	LC DUPLEX, OM3, AQUA	24	0	48	N/A	2
			FEUR48LCDSMD	FIBER, RKMNT PNL, 1U, W/24 LC-DX, SM, BL	LC DUPLEX, SM, BLUE	24	0	48	N/A	2
			FEUR12LCDSMGN	FIBER, RKMNT PNL, 1U, W/6 LC-DX, SM, GN	LC DUPLEX, SM, GREEN	6	18	12	N/A	1
			FEUR48LCDSMGN	FIBER, RKMNT PNL, 1U, W/24 LC-DX, SM, GN	LC DUPLEX, SM, GREEN	24	0	48	N/A	1



NOTES:

1. SURFACE FINISH: BLACK POWDER COAT
2. SPECIFICATIONS SUBJECT TO CHANGE WITHOUT NOTICE.

Created on INVENTOR	DIMENSIONING AND TOLERANCE PER ANSI Y14.5M-1982 UNLESS OTHERWISE SPECIFIED, DIMENSIONS ARE IN INCHES (MM). TOLERANCES: XX = ±.01 (.25) .XXX = ±.005 (.127) .XXXX = ±.0025 (.0635) ANGLE TOL ±1°		PROJECT REFERENCE: 027-12		 <b>Hubbell Premise Wiring</b> HUBBELL INCORPORATED (Delaware) 23 CLARA DRIVE, SUITE 103 MYSTIC, CT 06355
	IN ACCEPTING OUR DRAWINGS, BLUEPRINTS, OR SUPPORTING DOCUMENTATION FOR QUOTATION OR OTHER PURPOSES, YOU AGREE NOT TO DISCLOSE TO OTHERS THE IDEAS, INFORMATION, OR DESIGNS SHOWN HEREIN, AND THAT YOU WILL MAKE NO USE OF SAME WITHOUT PERMISSION		MATERIAL:  C.R.S.		
			DRAWN BY: MABBY 05/03/12		SIZE: <b>C</b> DRAWING NO. <b>HWS14067C</b> REV. <b>C</b>
			CHECKED BY:		SCALE: N/A SHEET 1 OF 1
		APPROVED BY:			

REV.	ECN	DATE	DESCRIPTION	CHG BY	APPD BY
C	19591	02/17/15	ADDED MORE VERSIONS	MMA	