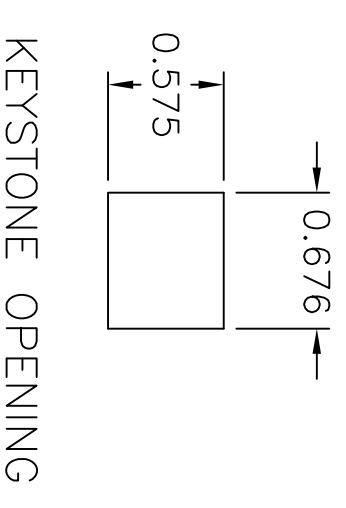
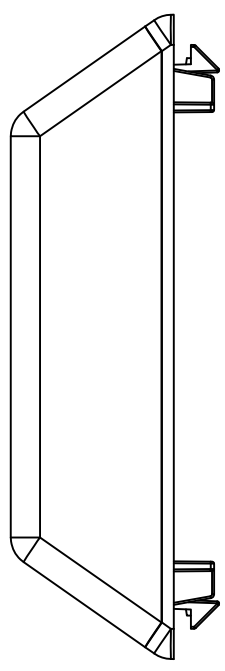
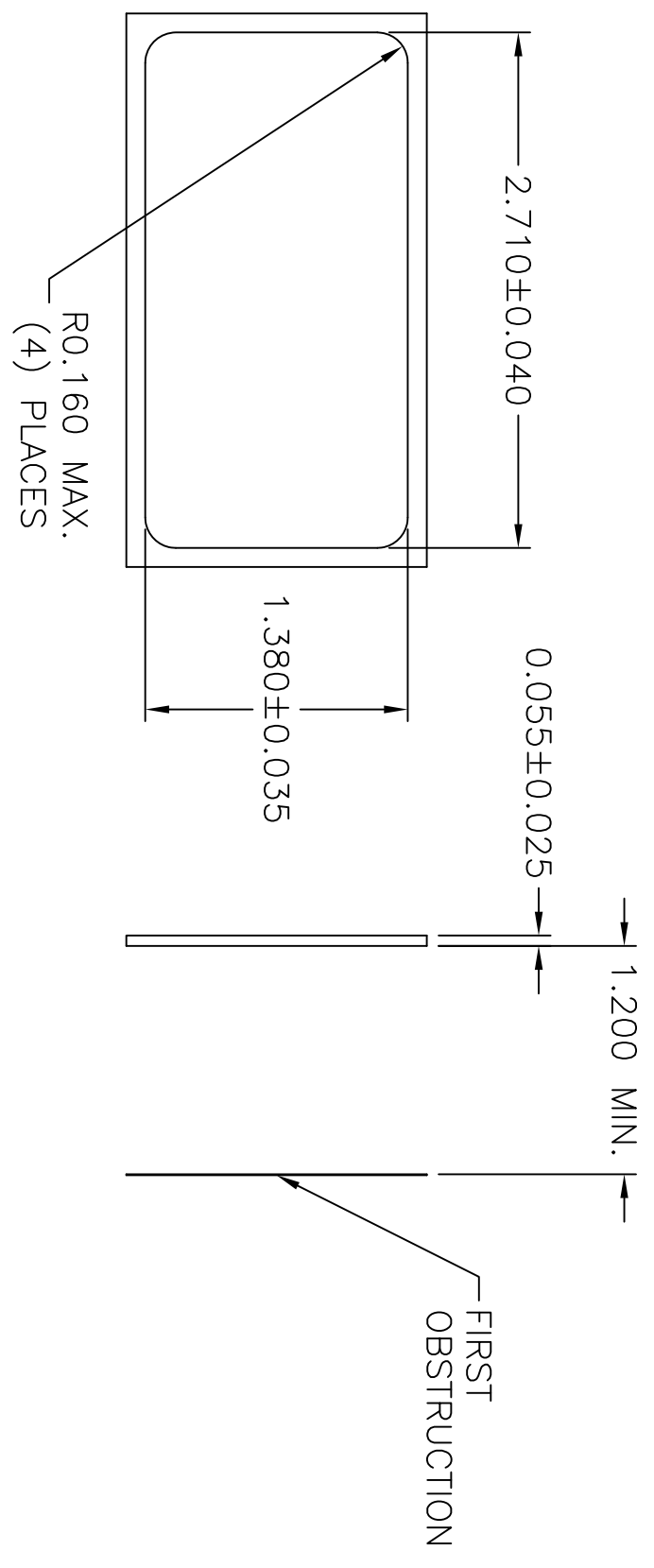
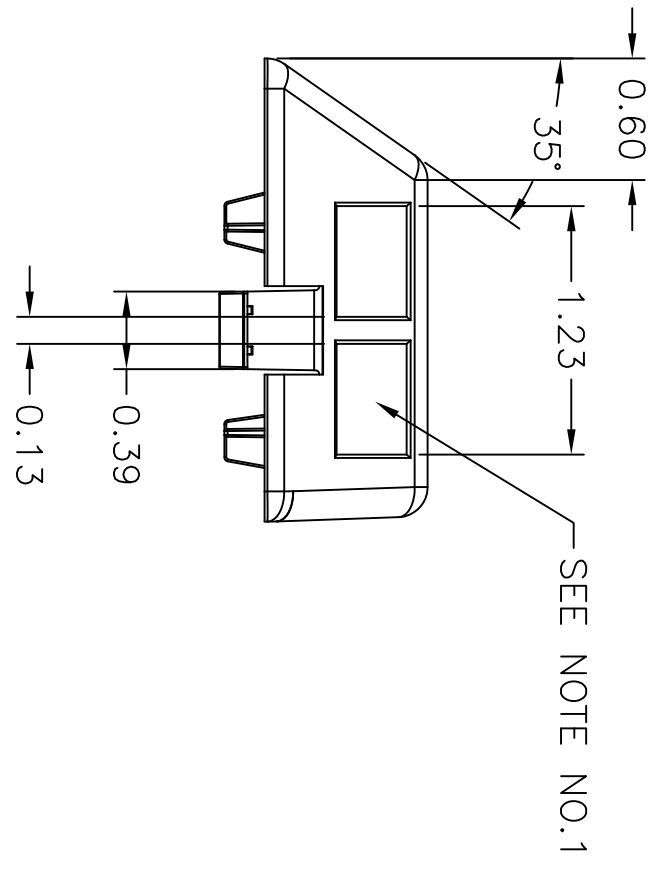
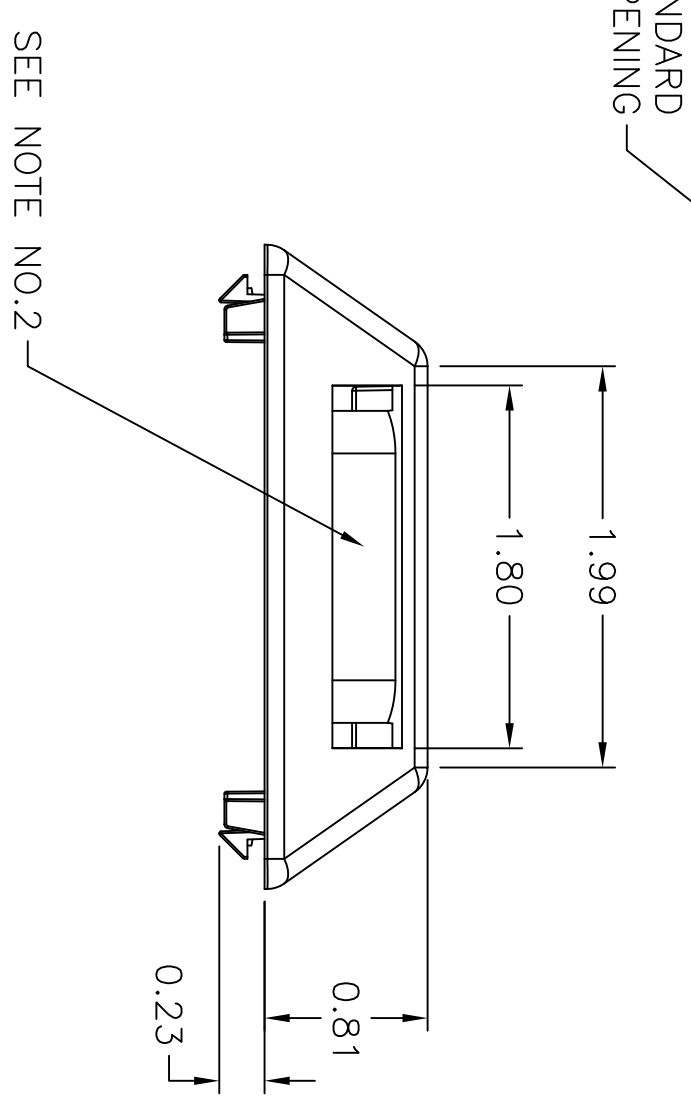
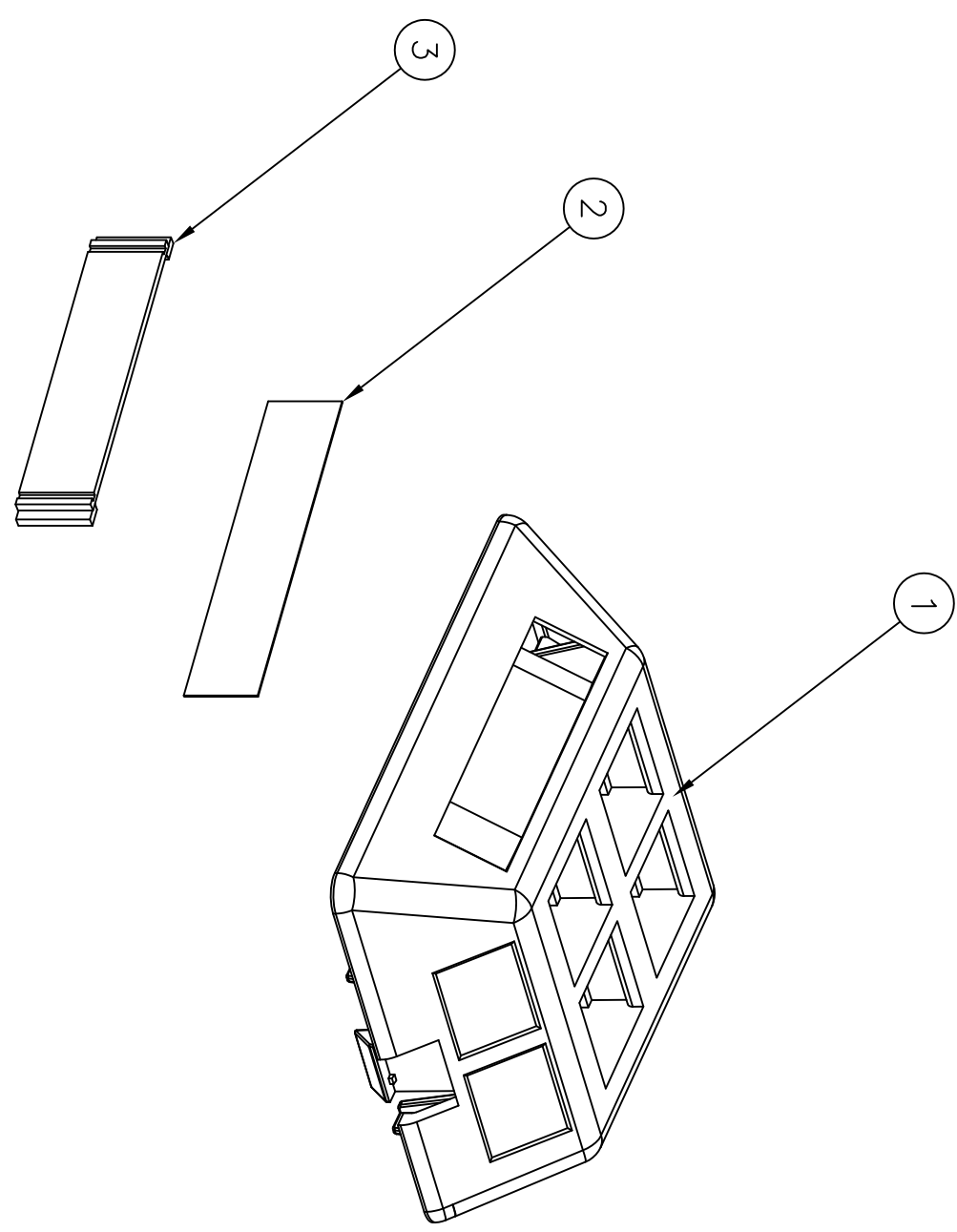
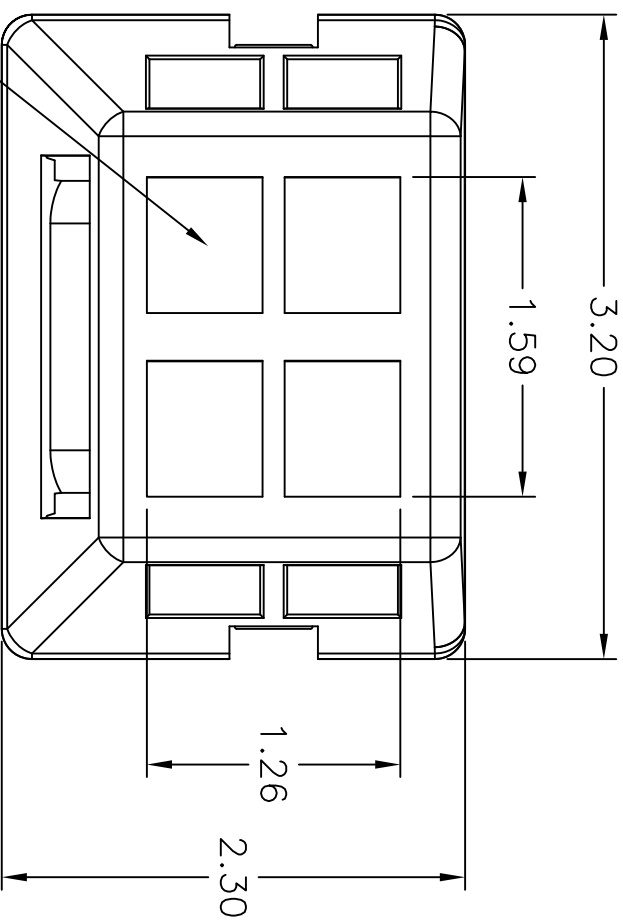


ITEM NO.	DESCRIPTION	QTY.
1	PLATE, FURNITURE, 4-PORT, W/LABELS	1
2	CARD, PAPER, 40X1.92, BLANK	1
3	COVER LABEL, CLEAR	1

CATALOG NUMBER	COLOR	DESCRIPTION
FP4GY	GREY	PLATE, FURNITURE 4 PORT
FP4BK	BLACK	PLATE, FURNITURE 4 PORT
FP4OW	OFFICE WHITE	PLATE, FURNITURE 4 PORT
FP4W	WHITE	PLATE, FURNITURE 4 PORT
FP4BN	BROWN	PLATE, FURNITURE 4 PORT



KEYSTONE OPENING



OPENING DETAIL

- NOTES:
1. LABEL FIELDS – HUBBELL PORT IDENTIFIERS PART NO. XPLPP10W
 2. LABEL FIELDS – HUBBELL STATION LABEL PART NO. XPLFP10W
 3. UL LISTED
 4. FITS STANDARD ANSII/TIA/EIA FURNITURE OPENING SIZE (SEE DETAIL)
 5. SPECIFICATIONS SUBJECT TO CHANGE WITHOUT PRIOR NOTICE

REV.	ECN	DATE	DESCRIPTION	CHG BY	APPD BY
B	17889	03/20/12	ADDED 3 COLORS	MMA	

Created on AUTOCAD

DIMENSIONING AND TOLERANCE PER
ANSI Y14.5M-1982
UNLESS OTHERWISE SPECIFIED,
DIMENSIONS ARE IN INCHES (MM).
TOLERANCES
.XX = ±.01 (.25)
.XXX = ±.005 (.127)
.XXXX = ±.0025 (.0635)
ANGLE TOL. ±1°

IN ACCEPTING OUR DRAWINGS,
BLUEPRINTS, OR SUPPORTING
DOCUMENTATION FOR QUOTATION
OR OTHER PURPOSES, YOU AGREE
NOT TO DISCLOSE TO OTHERS
THE IDEAS, INFORMATION, OR
DESIGNS SHOWN HEREIN, AND
THAT YOU WILL MAKE NO USE
OF SAME WITHOUT PERMISSION

PROJECT REFERENCE:

MATERIAL:

DRAWN BY:
PAUL S. MAGUIRE 05/06/02

CHECKED BY:

APPROVED BY:

HUBBELL

Hubbell Premise Wiring
HUBBELL INCORPORATED (Delaware)
14 Lord's Hill Road, Stonington, Connecticut 06378

TITLE:
PLATES/HOUSINGS/FRAMES
FURNITURE PLATES
4-PORT FURNITURE PLATE (STANDARD OPENING)

SIZE: C
DRAWING NO.: 773275C

SCALE: 1/1 SHEET 1 OF 1

REV. B