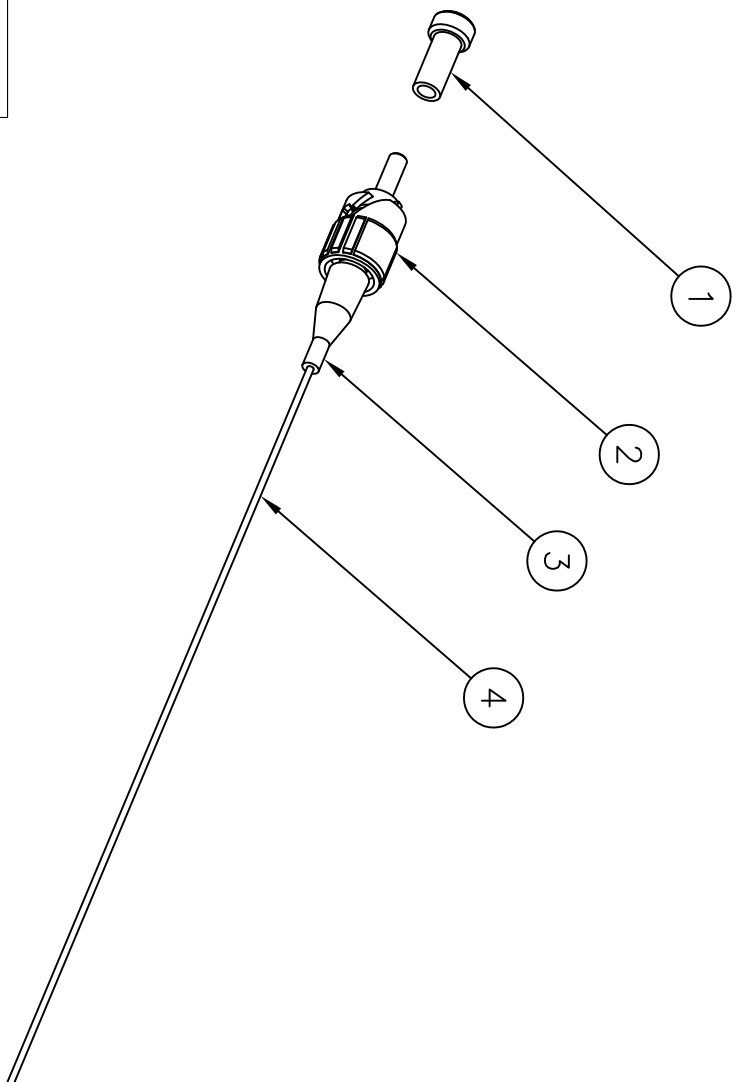


ITEM NO.	DESCRIPTION	QTY.
1	ST CONNECTOR DUST CAP	1
2	ST CONNECTOR NUT	1
3	ST CONNECTOR BOOT	1
4	250um BUFFERED FIBER	A/R



BUFFER TUBE COLORS	12-PACK
6-PACK	BLUE
	ORANGE
	GREEN
	BROWN
	SLATE
	WHITE
	RED
	BLACK
	YELLOW
	VIOLET
	ROSE
	AQUA

B

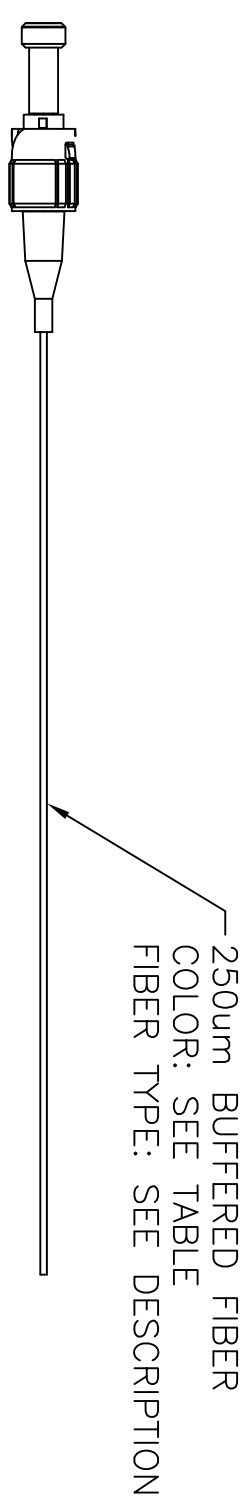
NOTES:

- CONNECTOR OPTICAL, MECHANICAL AND ENVIRONMENTAL PERFORMANCE MEETS TIA/EIA-568-C.3 SPECIFICATIONS.
- CONNECTOR USES A PC (MULTIMODE) OR UPC (SINGLEMODE) TIP ZIRCONIA CERAMIC FERRULE.
- CONNECTOR HOUSING IS INJECTION MOLDED ENGINEERING PLASTIC RESIN.
- OPTICAL INSERTION LOSS TEST DATA INCLUDED IN EACH BAGGED PIGTAIL.
- 50/125um OM3 MULTIMODE IS CORNING FIBER, RATED FOR 10Gb/s TRANSMISSION FOR UP TO 300 METERS AT 850nm.
- 50/125um OM4 MULTIMODE IS CORNING FIBER, RATED FOR 100Gb/s TRANSMISSION FOR UP TO 150 METERS AT 850nm.
- SPECIFICATIONS SUBJECT TO CHANGE WITHOUT PRIOR NOTICE.

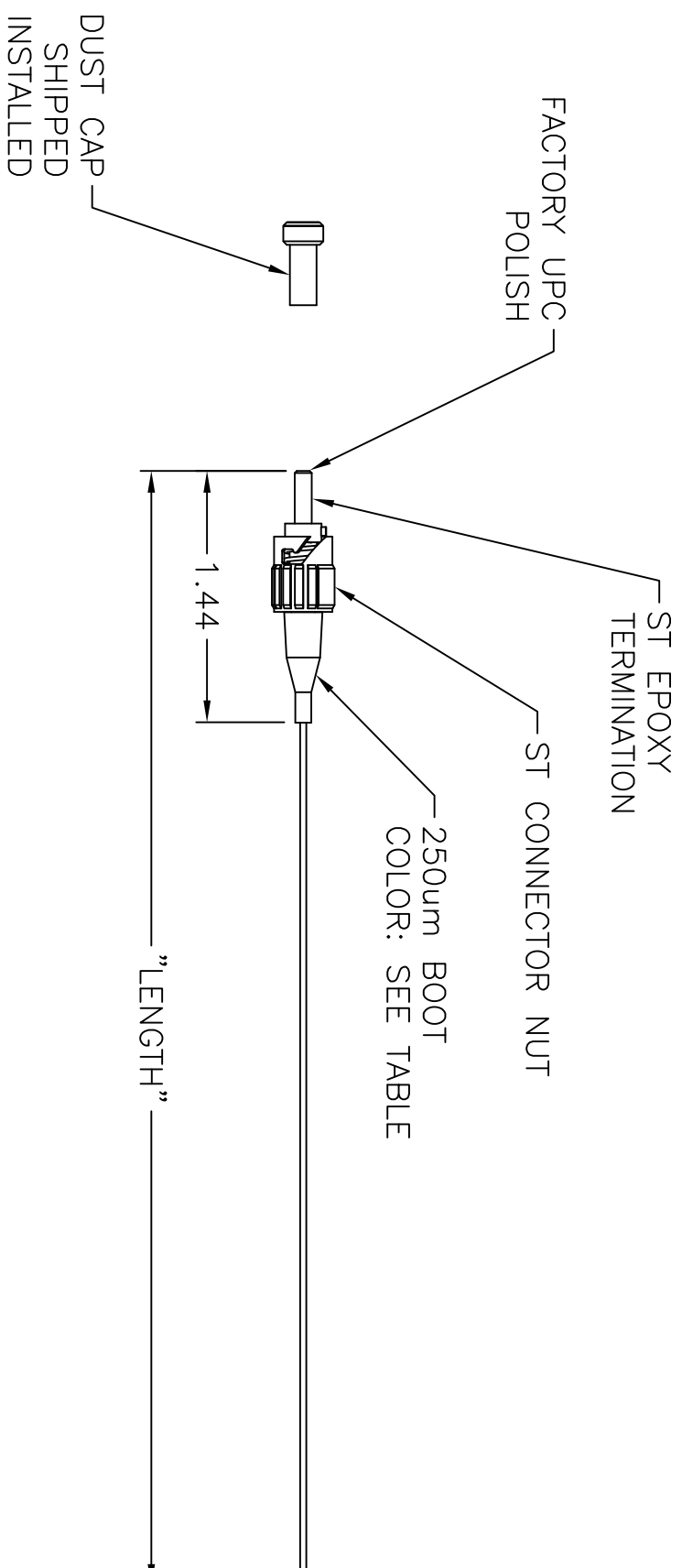
REV.	ECN	DATE	DESCRIPTION	CHG BY	APPD BY
1	17893	3/20/12	INITIAL RELEASE	CG	

CATALOG NO.	DESCRIPTION	LENGTH	BUNDLE SIZE	BOOT COLOR
FPBKLTR6ST1M	62.5/125 OM1 MULTIMODE, ST	3 METER	6	BEIGE
FPBKLTR6ST2M	50/125 OM2 MULTIMODE, ST	3 METER	6	BEIGE
FPBKLTR6ST3M	50/125 OM3 MULTIMODE, ST	3 METER	6	AQUA
FPBKLTR6ST4M	50/125 OM4 MULTIMODE, ST	3 METER	6	AQUA
FPBKLTR6ST6S	9/125 OS2 SINGLEMODE, ST	3 METER	6	BLUE
FPBKLTR12ST1M	62.5/125 OM1 MULTIMODE, ST	3 METER	12	BEIGE
FPBKLTR12ST2M	50/125 OM2 MULTIMODE, ST	3 METER	12	BEIGE
FPBKLTR12ST3M	50/125 OM3 MULTIMODE, ST	3 METER	12	AQUA
FPBKLTR12ST4M	50/125 OM4 MULTIMODE, ST	3 METER	12	AQUA
FPBKLTR12ST6S	9/125 OS2 SINGLEMODE, ST	3 METER	12	BLUE

D



C



B

A

DIMENSIONING AND TOLERANCE PER ANSI Y14.5M-1982 UNLESS OTHERWISE SPECIFIED, DIMENSIONS ARE IN INCHES (MM). TOLERANCES:
 .XX = ±.01 (.25)
 .XXX = ±.005 (.127)
 .XXXX = ±.0025 (.0635)
 ANGLE TOL ±1°

PROJECT REFERENCE:
2012-003

MATERIAL:
 SEE NOTES

DRAWN BY:
 C. GRIBBLE 3/20/12

CHECKED BY:

APPROVED BY:



Hubbell Premise Wiring
 HUBBELL INCORPORATED (Delaware)
 14 Lord's Hill Road, Stonington, Connecticut 06378

A

Created on AUTOCAD

IN ACCEPTING OUR DRAWINGS, BLUEPRINTS, OR SUPPORTING DOCUMENTATION FOR QUOTATION OR OTHER PURPOSES, YOU AGREE NOT TO DISCLOSE TO OTHERS THE IDEAS, INFORMATION, OR DESIGNS SHOWN HEREIN, AND THAT YOU WILL MAKE NO USE OF SAME WITHOUT PERMISSION

TITLE:
 FIBER PIGTAIL BUNDLES
 ST SM/MM, COLOR CODED BUFFER

SIZE: C
 DRAWING NO.: HWS14049C
 SCALE: 1/1

SHEET 1 OF 1

REV. 1