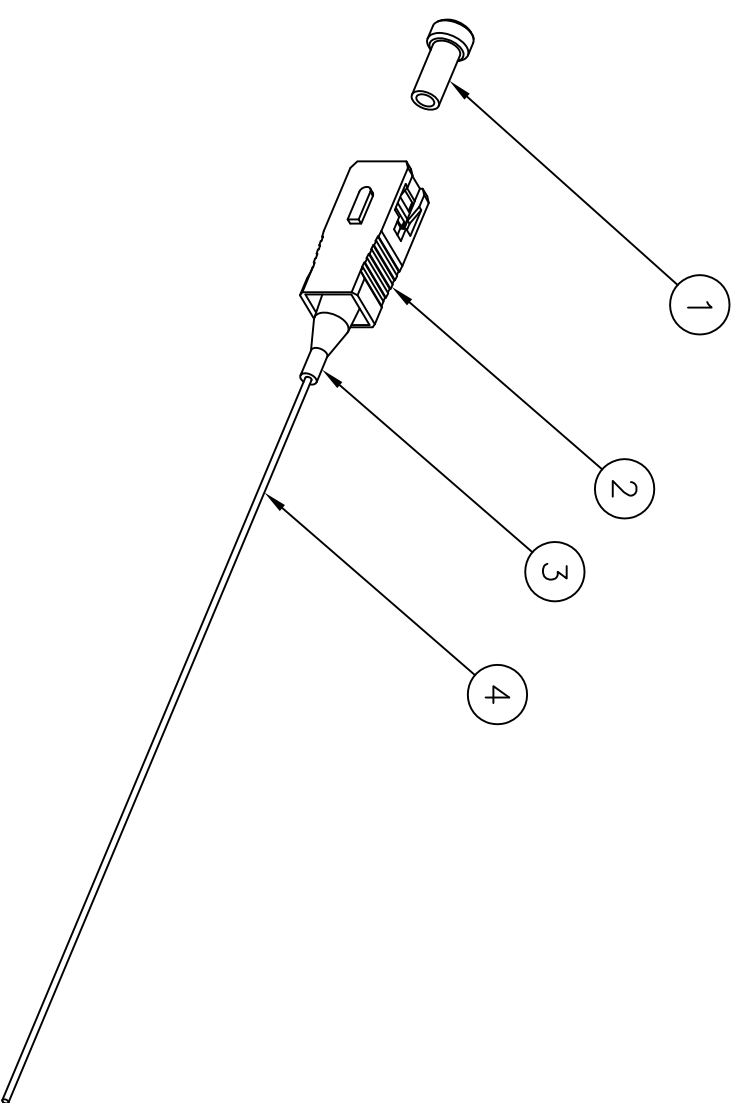


ITEM NO.	DESCRIPTION	QTY.
1	SC CONNECTOR DUST CAP	1
2	SC CONNECTOR BODY	1
3	SC CONNECTOR BOOT	1
4	900um BUFFERED CABLE	A/R



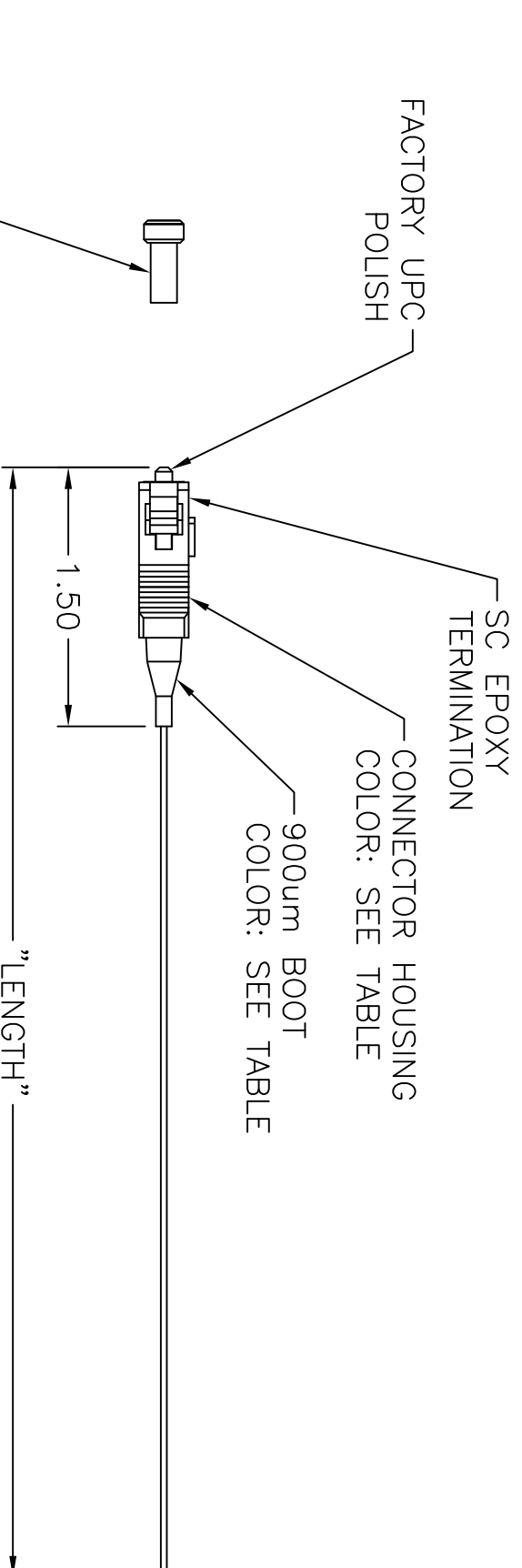
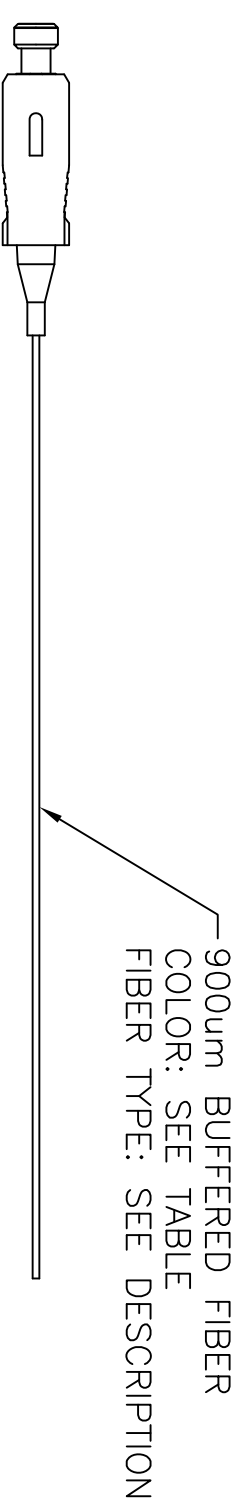
BUFFER TUBE COLORS	
6-PACK	12-PACK
BLUE	BLUE
ORANGE	ORANGE
GREEN	GREEN
BROWN	BROWN
SLATE	SLATE
WHITE	WHITE
	RED
	BLACK
	YELLOW
	VIOLET
	ROSE
	AQUA

NOTES:

- CONNECTOR OPTICAL, MECHANICAL AND ENVIRONMENTAL PERFORMANCE MEETS TIA/EIA-568-C.3 SPECIFICATIONS.
- CONNECTOR USES A PC OR APC TIP ZIRCONIA CERAMIC FERRULE.
- CONNECTOR HOUSING IS INJECTION MOLDED ENGINEERING PLASTIC RESIN.
- OPTICAL INSERTION LOSS TEST DATA INCLUDED IN EACH BAGGED PIGTAIL.
- 50/125um OM3 MULTIMODE IS CORNING FIBER, RATED FOR 10Gb/s TRANSMISSION FOR UP TO 300 METERS AT 850nm.
- 50/125um OM4 MULTIMODE IS CORNING FIBER, RATED FOR 100Gb/s TRANSMISSION FOR UP TO 150 METERS AT 850nm.
- SPECIFICATIONS SUBJECT TO CHANGE WITHOUT PRIOR NOTICE.

REV.	ECN	DATE	DESCRIPTION	CHG BY	APPD BY
1	17876	3/7/12	INITIAL RELEASE	CG	

CATALOG NO.	DESCRIPTION	LENGTH	BUNDLE SIZE	HOUSING COLOR	BOOT COLOR
FPBK6SC1M	62.5/125 OM1 MULTIMODE, SC	3 METER	6	BEIGE	BEIGE
FPBK6SC2M	50/125 OM2 MULTIMODE, SC	3 METER	6	BEIGE	BEIGE
FPBK6SC3M	50/125 OM3 MULTIMODE, SC	3 METER	6	AQUA	AQUA
FPBK6SC4M	50/125 OM4 MULTIMODE, SC	3 METER	6	AQUA	AQUA
FPBK6SC6S	9/125 OS2 SINGLEMODE, SC	3 METER	6	BLUE	BLUE
FPBK6SCA6S	9/125 APC OS2 SINGLEMODE, SC	3 METER	6	GREEN	GREEN
FPBK12SC1M	62.5/125 OM1 MULTIMODE, SC	3 METER	12	BEIGE	BEIGE
FPBK12SC2M	50/125 OM2 MULTIMODE, SC	3 METER	12	BEIGE	BEIGE
FPBK12SC3M	50/125 OM3 MULTIMODE, SC	3 METER	12	AQUA	AQUA
FPBK12SC4M	50/125 OM4 MULTIMODE, SC	3 METER	12	AQUA	AQUA
FPBK12SC6S	9/125 OS2 SINGLEMODE, SC	3 METER	12	BLUE	BLUE
FPBK12SCA6S	9/125 APC OS2 SINGLEMODE, SC	3 METER	12	GREEN	GREEN



DUST CAP SHIPPED INSTALLED

FACTORY UPC POLISH

SC EPOXY TERMINATION

CONNECTOR HOUSING COLOR: SEE TABLE

900um BOOT COLOR: SEE TABLE

"LENGTH"

DIMENSIONING AND TOLERANCE PER ANSI Y14.5M-1982 UNLESS OTHERWISE SPECIFIED, DIMENSIONS ARE IN INCHES (MM). TOLERANCES:
 .XX = ±.01 (.25)
 .XXX = ±.005 (.127)
 .XXXX = ±.0025 (.0635)
 ANGLE TOL .±1°

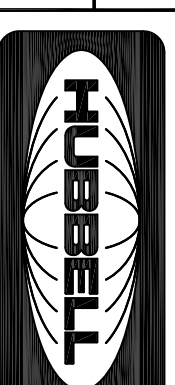
PROJECT REFERENCE:
2012-003

MATERIAL: SEE NOTES

DRAWN BY: C. GRIBBLE 3/7/12

CHECKED BY:

APPROVED BY:



Hubbell Premise Wiring
 HUBBELL INCORPORATED (Delaware)
 14 Lord's Hill Road, Stonington, Connecticut 06378

FIBER PIGTAIL BUNDLES
 SC SM/MM, COLOR CODED BUFFER TUBES

TITLE: SC SM/MM, COLOR CODED BUFFER TUBES

SIZE: C
 DRAWING NO.: HWS14037C

SCALE: 1/1 SHEET 1 OF 1

REV. 1

Created on AUTOCAD