

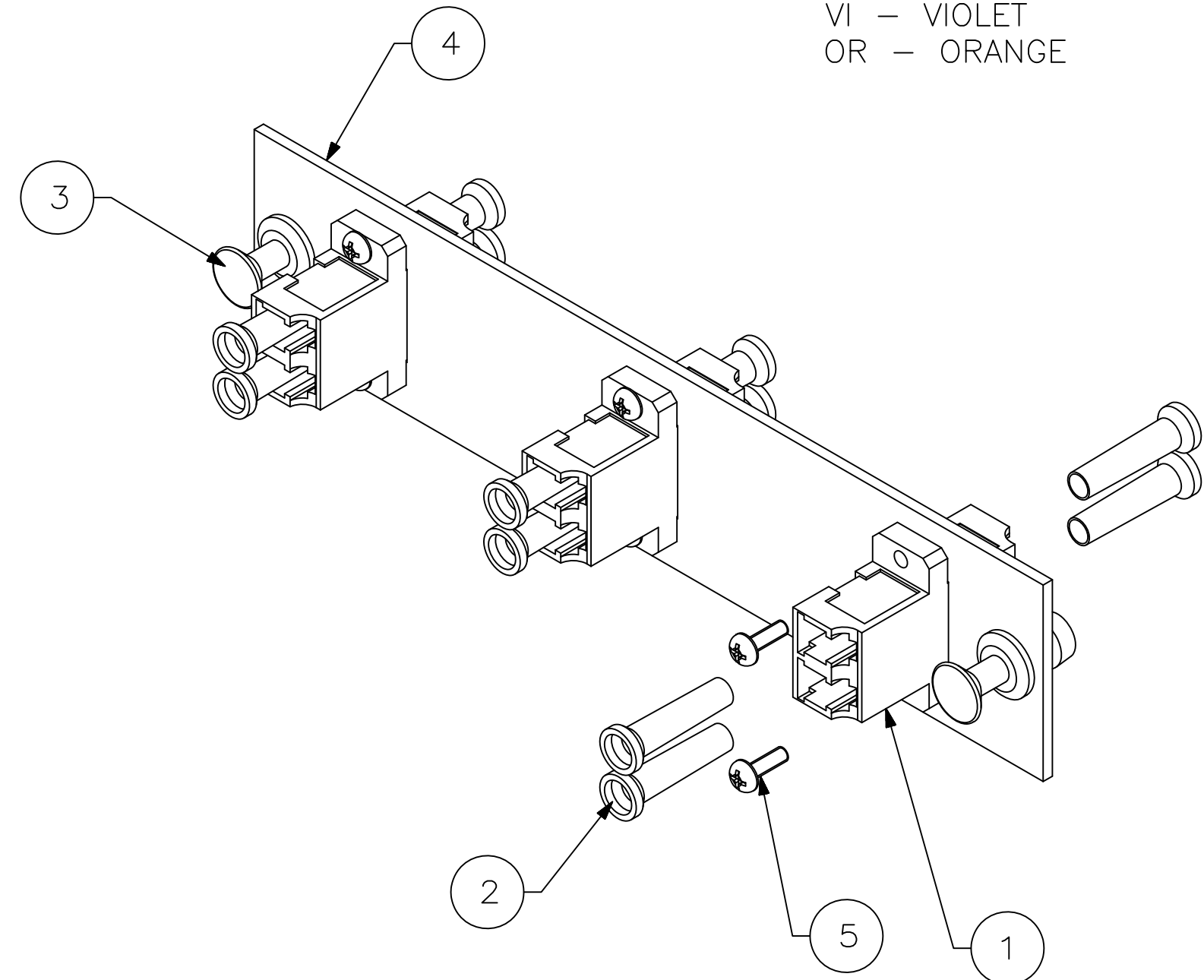
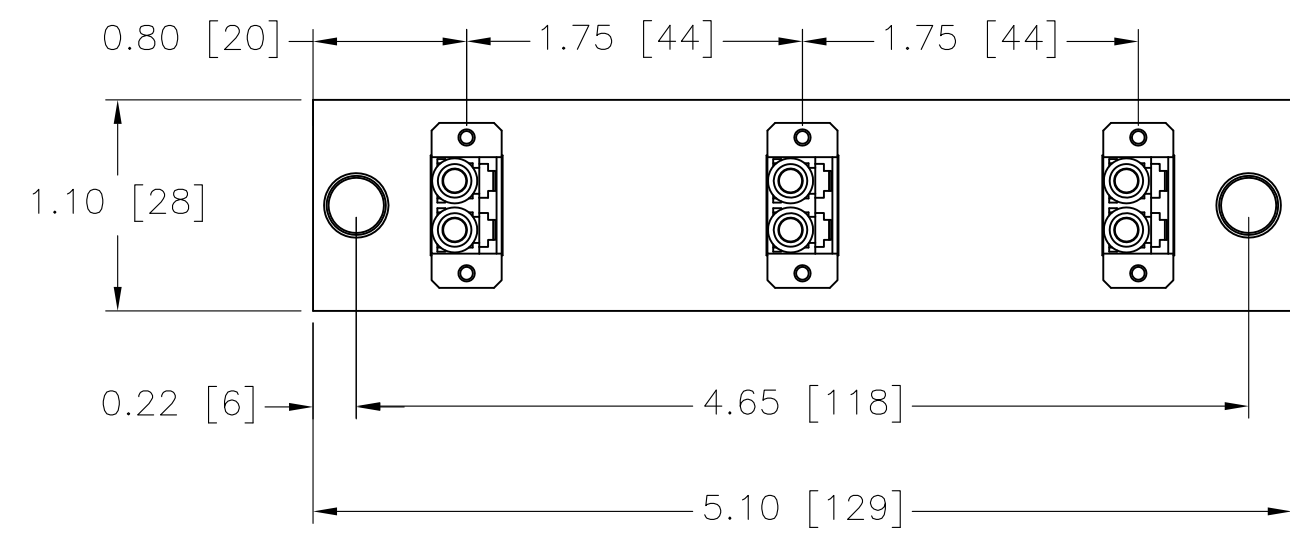
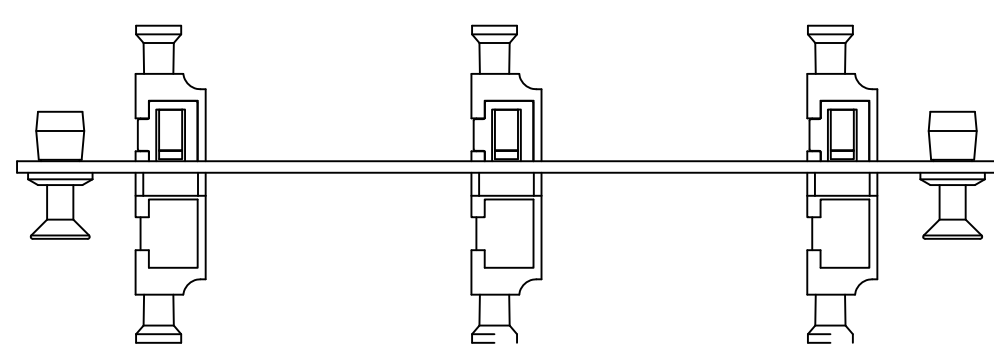
ITEM NO.	DESCRIPTION	QTY.
1	LC DUPLEX ADAPTER (SEE CAT. NO. LEGEND)	3
2	DUST CAP	12
3	NYLATCH PUSH FASTENER	2
4	FSP PANEL	1
5	ADAPTER SCREWS	12

CATALOG NUMBER	DESCRIPTION
FSPLCDx3yy	LOADED 6 PORT LC DUPLEX FSP PANEL W/3 LC DUPLEX ADAPTERS

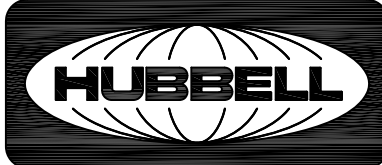
CATALOG NUMBER LEGEND:

"x":  
M – MULTIMODE, PHOS-BR SLEEVE  
S – SINGLEMODE, ZIRCONIA SLEEVE

"yy":  
AQ – AQUA  
BE – BEIGE  
BK – BLACK  
B – BLUE  
GN – GREEN  
R – RED  
Y – YELLOW  
VI – VIOLET  
OR – ORANGE



- NOTES:
- SURFACE FINISH: BLACK POWDER COAT.
  - ADAPTERS SUPPLIED WITH DUST CAPS INSTALLED.
  - ADAPTER WITH PHOS-BR SLEEVES ARE SUITABLE FOR MULTIMODE APPLICATION ONLY. ADAPTERS WITH ZIRCONIA SLEEVES ARE SUITABLE FOR BOTH SINGLEMODE AND MULTIMODE APPLICATIONS.
  - SPECIFICATIONS SUBJECT TO CHANGE WITHOUT NOTICE.

Created on AUTOCAD	DIMENSIONING AND TOLERANCE PER ANSI Y14.5M-1982 UNLESS OTHERWISE SPECIFIED, DIMENSIONS ARE IN INCHES (MM). TOLERANCES .XX = ±.01 (.25) .XXX = ±.005 (.127) .XXXX = ±.0025 (.0635) ANGLE TOL ±1°		PROJECT REFERENCE: <b>014-09</b>		 <b>Hubbell Premise Wiring</b> HUBBELL INCORPORATED (Delaware) 14 Lord's Hill Road, Stonington, Connecticut 06378
	IN ACCEPTING OUR DRAWINGS, BLUEPRINTS, OR SUPPORTING DOCUMENTATION FOR QUOTATION OR OTHER PURPOSES, YOU AGREE NOT TO DISCLOSE TO OTHERS THE IDEAS, INFORMATION, OR DESIGNS SHOWN HEREIN, AND THAT YOU WILL MAKE NO USE OF SAME WITHOUT PERMISSION		MATERIAL: .0598" CRS WITH BLACK POWDER COAT FINISH		
			DRAWN BY: D.O'CONNOR 4/8/09		TITLE: <b>ASSY, 6 PORT FSP PANEL, WITH LC DUPLEX ADAPTERS</b>
			CHECKED BY:		SIZE: <b>C</b>
		APPROVED BY:		DRAWING NO.: <b>HWS12780C</b>	
				SCALE: <b>1/1</b>	
				SHEET <b>1</b> OF <b>1</b>	
				REV. <b>E</b>	

REV.	ECN	DATE	DESCRIPTION	CHG BY	APPD BY
E	22405	12/02/16	ADDED NEW COLOR, ORANGE	MMA	