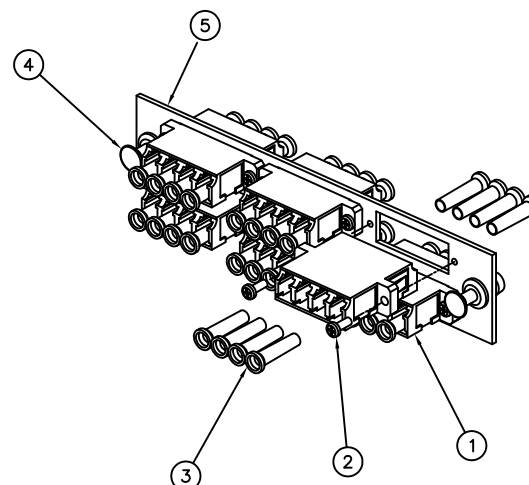
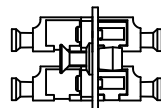
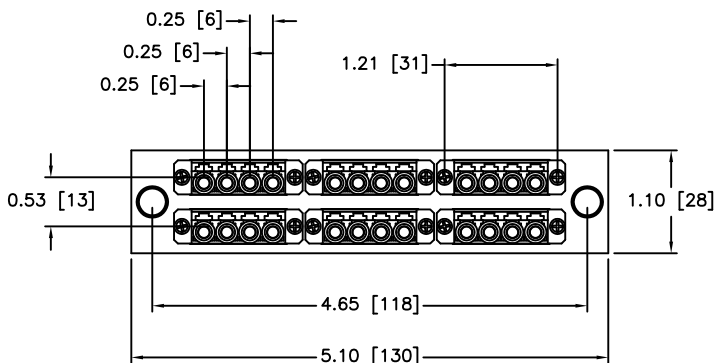
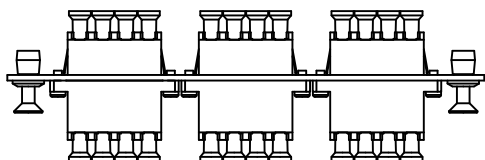


ITEM NO.	DESCRIPTION	QTY.
1	LC QUAD ADAPTERS	6
2	SCREW, ADAPTER	12
3	DUST CAP, LC	48
4	NYLATCH PUSH FASTENER	2
5	FSP PANEL	1


CATALOG NUMBER	DESCRIPTION
FSPLCQS6Y	FSP PANEL WITH 6 LC QUAD YELLOW ADAPTERS
FSPLCQS6OR	FSP PANEL WITH 6 LC QUAD ORANGE ADAPTERS
FSPLCQS6B	FSP PANEL WITH 6 LC QUAD BLUE ADAPTERS
FSPLCQS6AQ	FSP PANEL WITH 6 LC QUAD AQUA ADAPTERS
FSPLCQS6R	FSP PANEL WITH 6 LC QUAD RED ADAPTERS
FSPLCQS66BE	FSP PANEL WITH 6 LC QUAD BEIGE ADAPTERS
FSPLCQS6BK	FSP PANEL WITH 6 LC QUAD BLACK ADAPTERS
FSPLCQS6GN	FSP PANEL WITH 6 LC QUAD GREEN ADAPTERS
FSPLCQS6VI	FSP PANEL WITH 6 LC QUAD VIOLET ADAPTERS



LOADED FSP PANEL

NOTES:

- SUPPLIED WITH PUSH/PULL FASTENERS FOR EASY INSTALLATION/REMOVAL.
- PANELS FIT INTO HUBBELL WALL MOUNT AND RACK MOUNT CABINETS.
- SURFACE FINISH: BLACK POWDER COAT.
- ADAPTERS SUPPLIED WITH DUST CAPS INSTALLED
- ZIRCONIA CERAMIC ALIGNMENT SLEEVES IN ALL ADAPTERS FOR HIGH PERFORMANCE APPLICATIONS.
- SPECIFICATIONS SUBJECT TO CHANGE WITHOUT NOTICE.

Created on AUTOCAD	DIMENSIONING AND TOLERANCE PER ANSI Y14.5M-1982 UNLESS OTHERWISE SPECIFIED, DIMENSIONS ARE IN INCHES (MM). TOLERANCES .XX = ±.01 (.25) .XXX = ±.005 (.127) .XXXX = ±.0025 (.0635) ANGLE TOL ±1°		PROJECT REFERENCE:		 Hubbell Premise Wiring HUBBELL INCORPORATED (Delaware) 14 Lord's Hill Road, Stonington, Connecticut 06378	
	IN ACCEPTING OUR DRAWINGS, BLUEPRINTS, OR SUPPORTING DOCUMENTATION FOR QUOTATION OR OTHER PURPOSES, YOU AGREE NOT TO DISCLOSE TO OTHERS THE IDEAS, INFORMATION, OR DESIGNS SHOWN HEREIN, AND THAT YOU WILL MAKE NO USE OF SAME WITHOUT PERMISSION		MATERIAL: PANEL: .0598" CRS WITH BLACK POWDER COAT FINISH			TITLE: ASSY, FSP PANEL WITH 6 SM LC QUAD ZIRCONIA ADAPTERS
	DRAWN BY: C. DUSSAULT 11/16/07		CHECKED BY:		SIZE: C	REV. F
	APPROVED BY:		DRAWING NO. HWS12624C		SCALE: N/A	SHEET 1 OF 1

REV.	ECN	DATE	DESCRIPTION	CHG BY	APPD BY
F	21364	12/01/15	ADDED VIOLET CATALOG NUMBER	JJRJ	