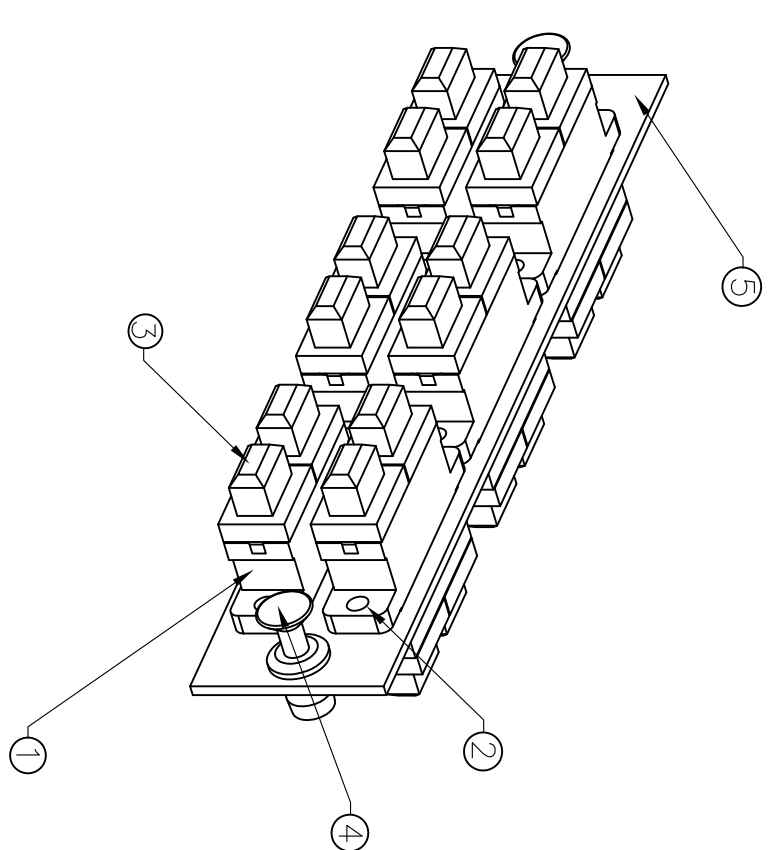
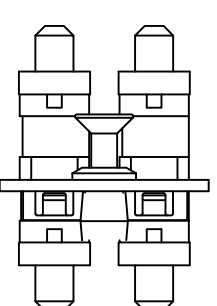
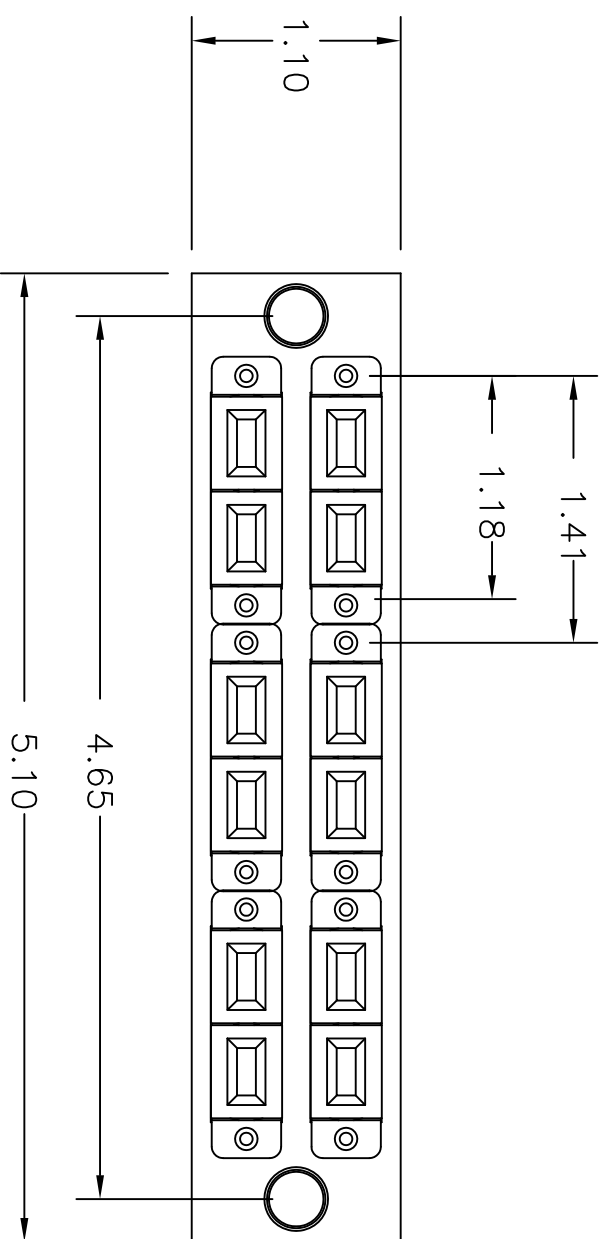
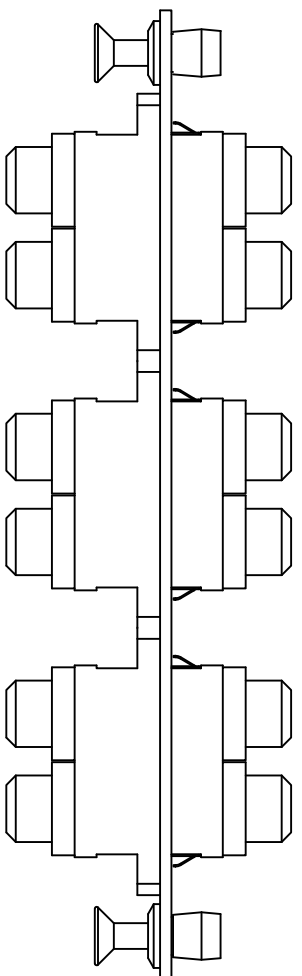


ITEM NO.	DESCRIPTION	QTY.
1	MTP DUPLEX ADAPTER	6
2	SCREW, ADAPTER	12
3	DUST CAP	24
4	NYLATCH PUSH FASTENER	2
5	FSP PANEL 4 PORT SC DUPLEX	1

CATALOG NUMBER	DESCRIPTION
FSPMTPDAQ6	FSP PANEL WITH 6 MTP DUPLEX AQUA ADAPTERS
FSPMTPDBE6	FSP PANEL WITH 6 MTP DUPLEX BEIGE ADAPTERS
FSPMTPDBK6	FSP PANEL WITH 6 MTP DUPLEX BLACK ADAPTERS
FSPMTPDB6	FSP PANEL WITH 6 MTP DUPLEX BLUE ADAPTERS
FSPMTPDGN6	FSP PANEL WITH 6 MTP DUPLEX GREEN ADAPTERS



- NOTES:
- SUPPLIED WITH PUSH/PULL FASTENERS FOR EASY INSTALLATION/REMOVAL.
  - PANELS FIT INTO HUBBELL WALL MOUNT AND RACK MOUNT CABINETS.
  - SURFACE FINISH: BLACK POWDER COAT.
  - ADAPTERS SUPPLIED WITH DUST CAPS INSTALLED
  - SPECIFICATIONS SUBJECT TO CHANGE WITHOUT NOTICE.

REV.	ECN	DATE	DESCRIPTION	CHG BY	APPD BY
A	17866	05/08/12	INITIAL RELEASE	MMA	

Created on AUTOCAD

DIMENSIONING AND TOLERANCE PER ANSI Y14.5M-1982 UNLESS OTHERWISE SPECIFIED, DIMENSIONS ARE IN INCHES (MM).  
 TOLERANCES:  
 .XX = ±.01 (.25)  
 .XXX = ±.005 (.127)  
 .XXXX = ±.0025 (.0635)  
 ANGLE TOL ±1°

IN ACCEPTING OUR DRAWINGS, BLUEPRINTS, OR SUPPORTING DOCUMENTATION FOR QUOTATION OR OTHER PURPOSES, YOU AGREE NOT TO DISCLOSE TO OTHERS THE IDEAS, INFORMATION, OR DESIGNS SHOWN HEREIN, AND THAT YOU WILL MAKE NO USE OF SAME WITHOUT PERMISSION

PROJECT REFERENCE:  
**2012-003**

MATERIAL:  
PANEL: .0598" CRS WITH BLACK POWDER COAT FINISH

DRAWN BY:  
M. ABBY 05/08/12

CHECKED BY:

APPROVED BY:

TITLE:  
**ASSY, FSP PANEL WITH 6 MTP DUPLEX ADAPTERS**

Hubbell  
Hubbell Incorporated (Delaware)  
14 Lord's Hill Road, Stonington, Connecticut 06378

SIZE: **C** DRAWING NO.: **HWS14061C** REV.: **A**

SCALE: **N/A** SHEET **1** OF **1**