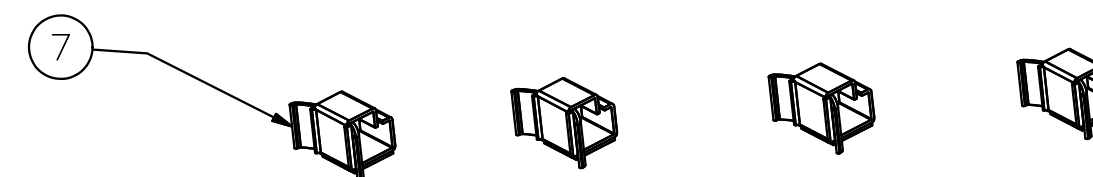


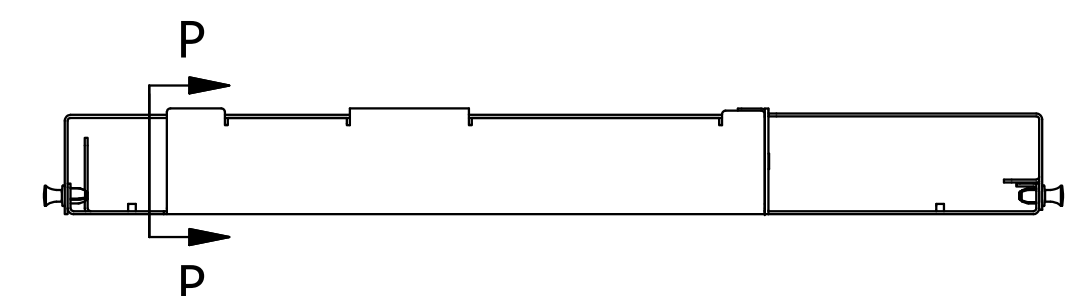
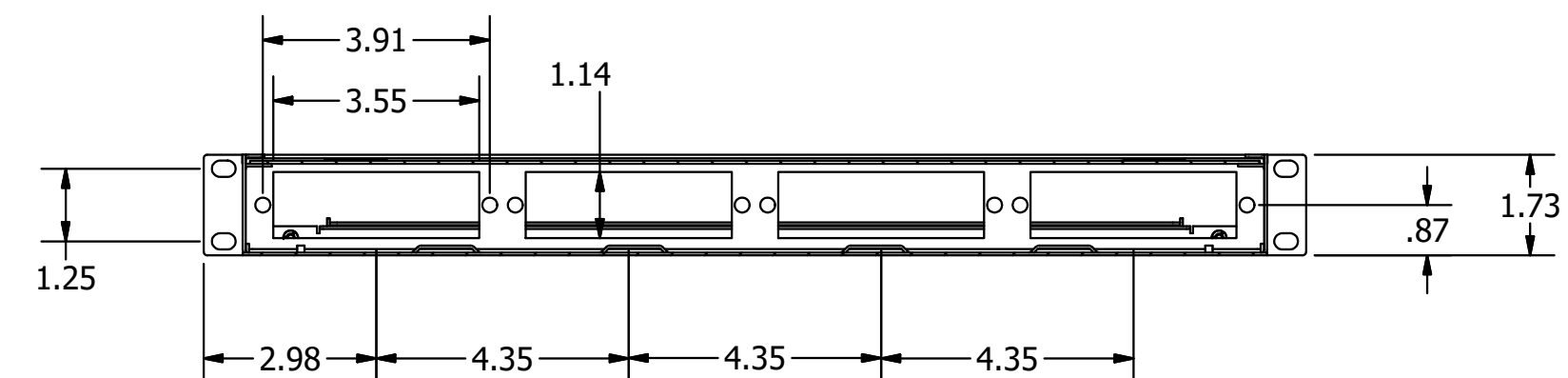
CATALOG NO.	DESCRIPTION
FTR1U4H4	FIBER, RKMT PNL, 1U, 4H4, W/MGT, UNLD
FTR2U8H4	FIBER, RKMT TRAY, 2U, W/CVR, 8H4 PNL, UNLD
FTR4U20H4	FIBER, RKMT TRAY, 4U, W/CVR, 20H4 PNL, UNLD

ITEM	DESCRIPTION	QTY
1	1U FSP MOUNTING TRAY	1
2	REAR COVER	1
3	FRONT COVER	1
4	INSTRUCTION SHEET	1
5	10.75" BLACK WIRE TIE	8
6	VELCRO FASTENER STRAP, BLACK	1
7	ADHESIVE BACKED CABLE CLIP	4
8	SCREW, #12-24 X 5/8 PAN HEAD COMBO	4
9	#12 NYLON WASHER	4

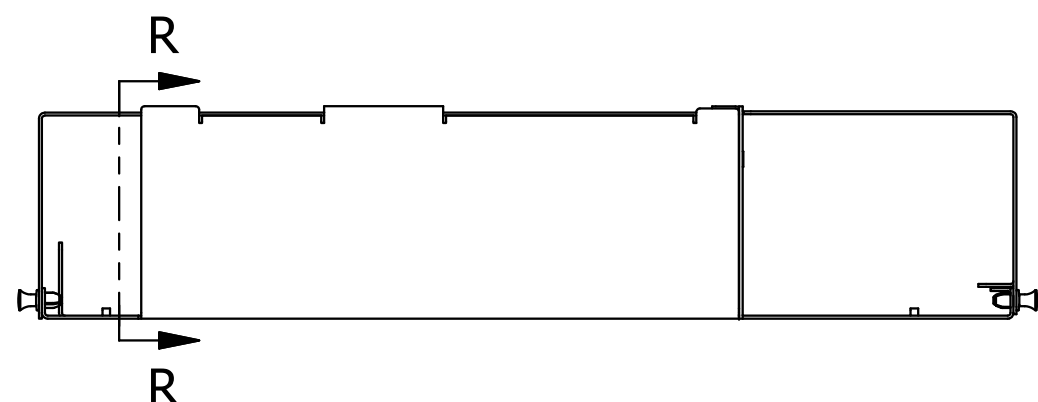
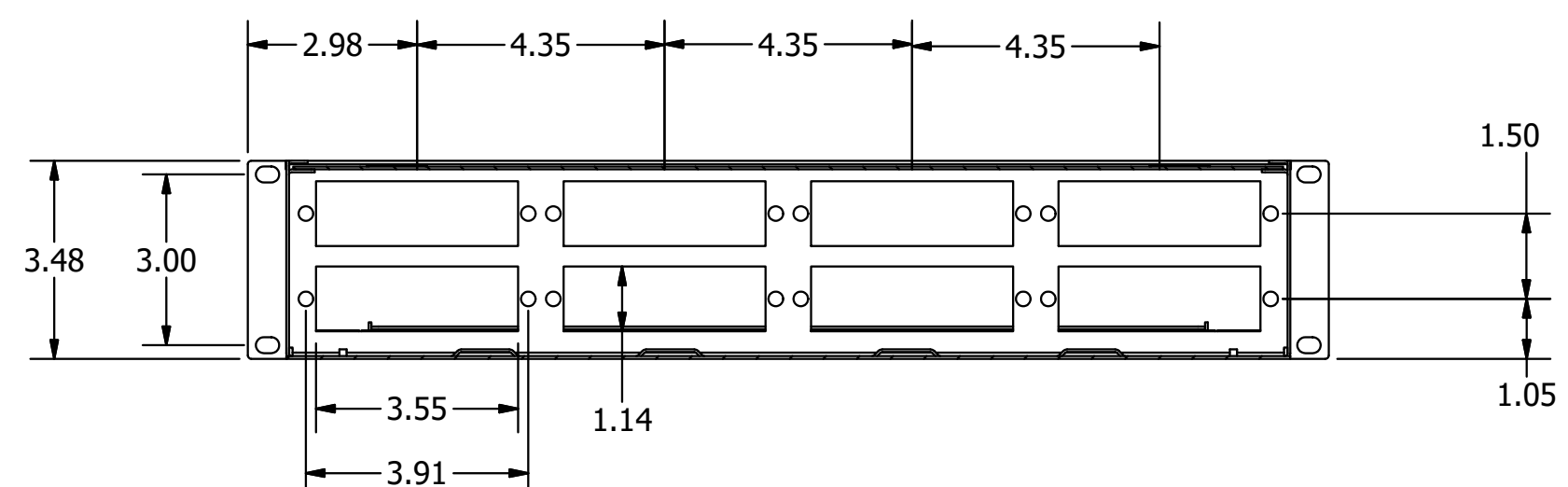
- NOTES:
1. SURFACE FINISH: BLACK POWER COAT
 2. SPECIFICATIONS SUBJECT TO CHANGE WITHOUT NOTICE.



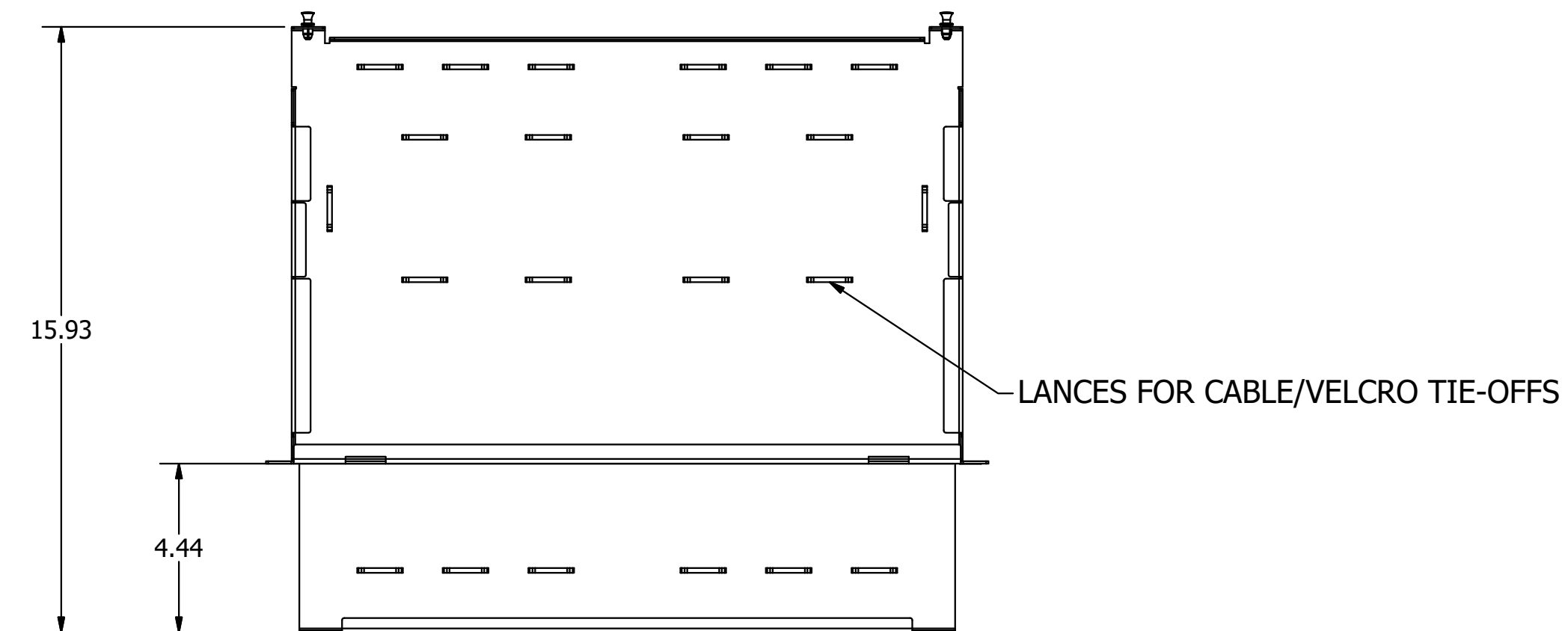
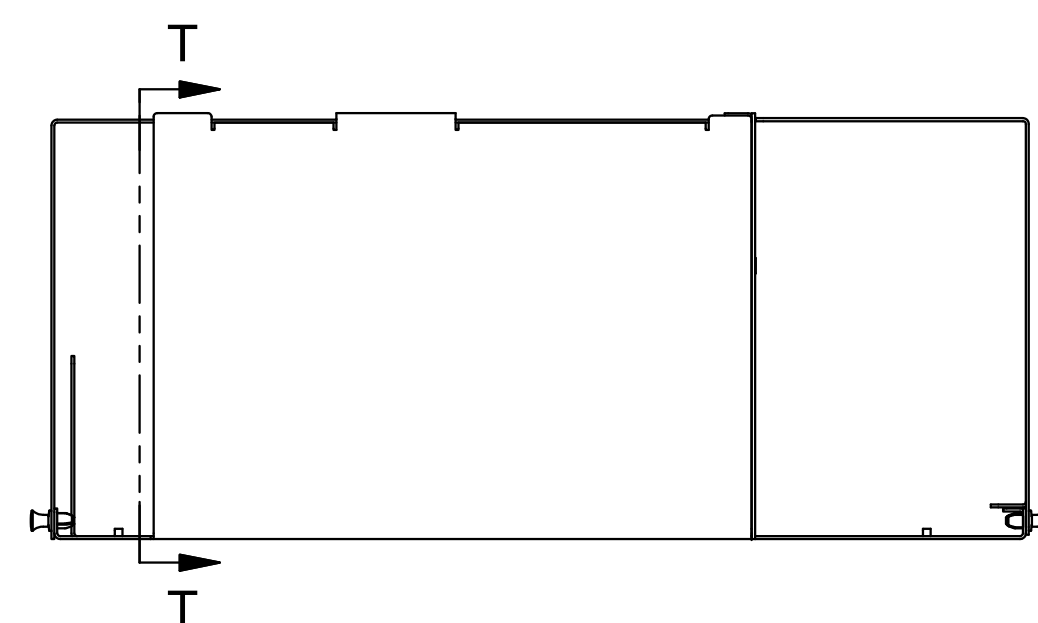
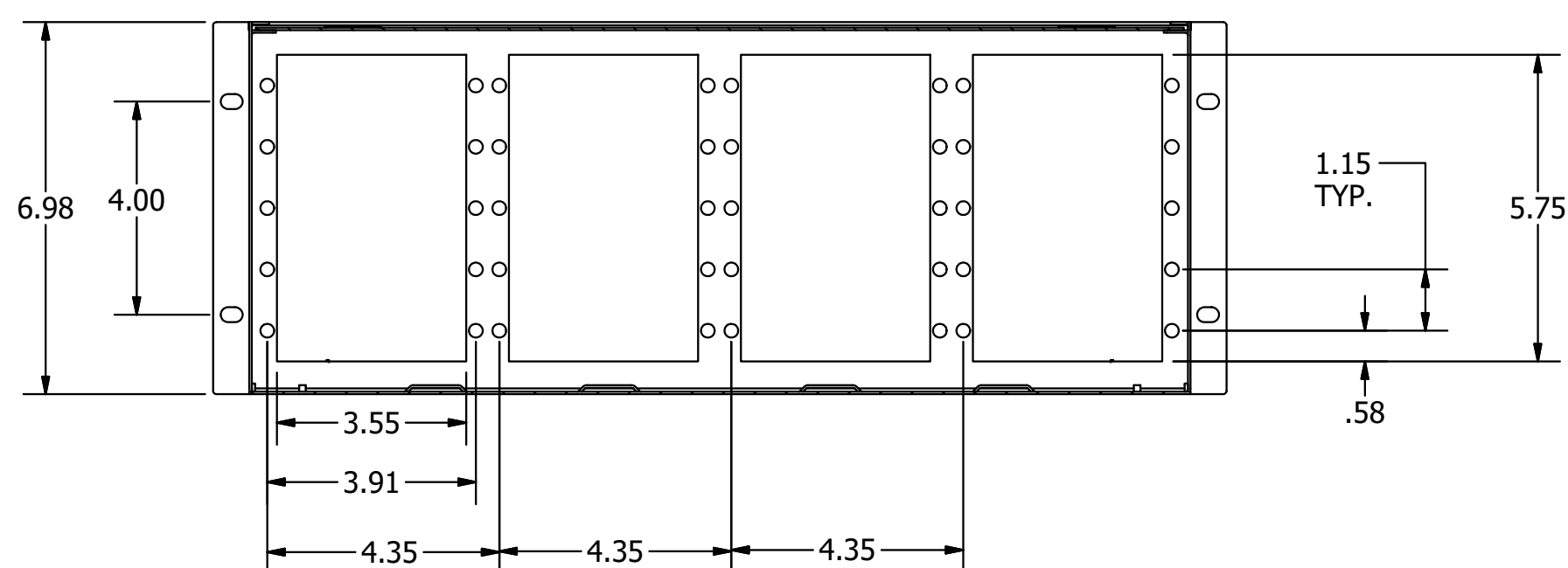
FTR1U4H4



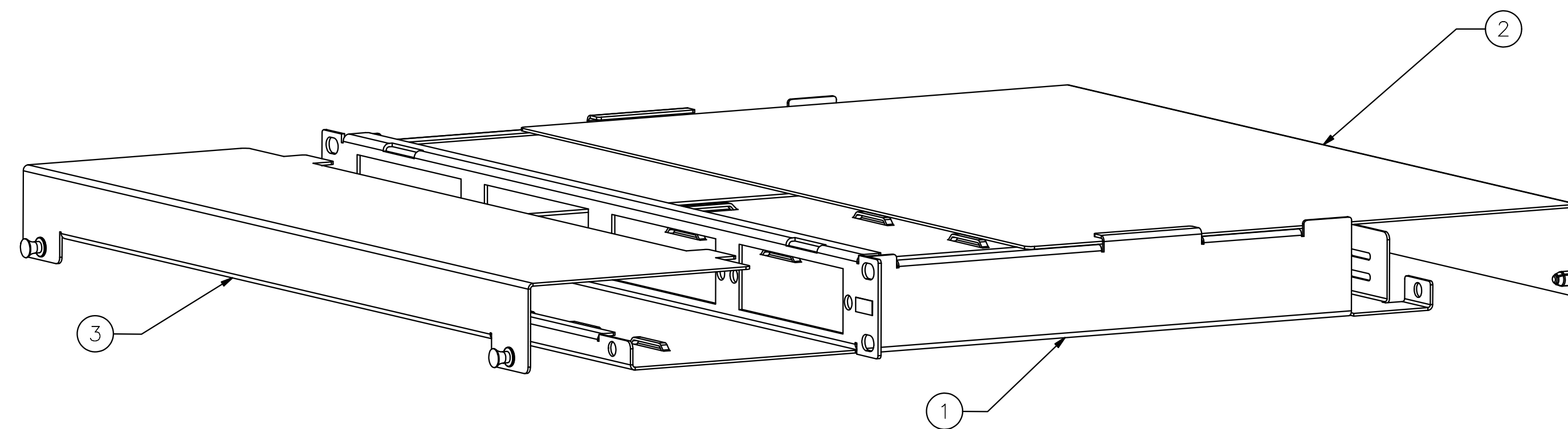
FTR2U8H4



FTR4U20H4



TOP VIEW
(COVERS NOT SHOWN FOR CLARITY)



REV.	ECN	DATE	DESCRIPTION	CHG BY	APPD BY
3	22427	01/25/17	CLARIFIED DRAWING	MMA	DO

Created on INVENTOR	DIMENSIONING AND TOLERANCE PER ANSI Y14.5M-1982 UNLESS OTHERWISE SPECIFIED, DIMENSIONS ARE IN INCHES (MM). TOLERANCES: .XX = ±.01 (.25) .XXX = ±.005 (.127) .XXXX = ±.0025 (.0635) ANGLE TOL ±1°		PROJECT REFERENCE: NPD 00160		Hubbell Premise Wiring HUBBELL INCORPORATED (Delaware) 23 CLARA DRIVE, SUITE 103 MYSTIC, CT 06355
	IN ACCEPTING OUR DRAWINGS, BLUEPRINTS, OR SUPPORTING DOCUMENTATION FOR QUOTATION OR OTHER PURPOSES, YOU AGREE NOT TO DISCLOSE TO OTHERS THE IDEAS, INFORMATION, OR DESIGNS SHOWN HEREIN, AND THAT YOU WILL MAKE NO USE OF SAME WITHOUT PERMISSION		MATERIAL: CRS		
			DRAWN BY: MABBY 06/01/16		SIZE: D
			CHECKED BY:		DRAWING NO.: HWS1456602C
		APPROVED BY:		SCALE: N/A	
				SHEET 1 OF 1	
				REV. 3	