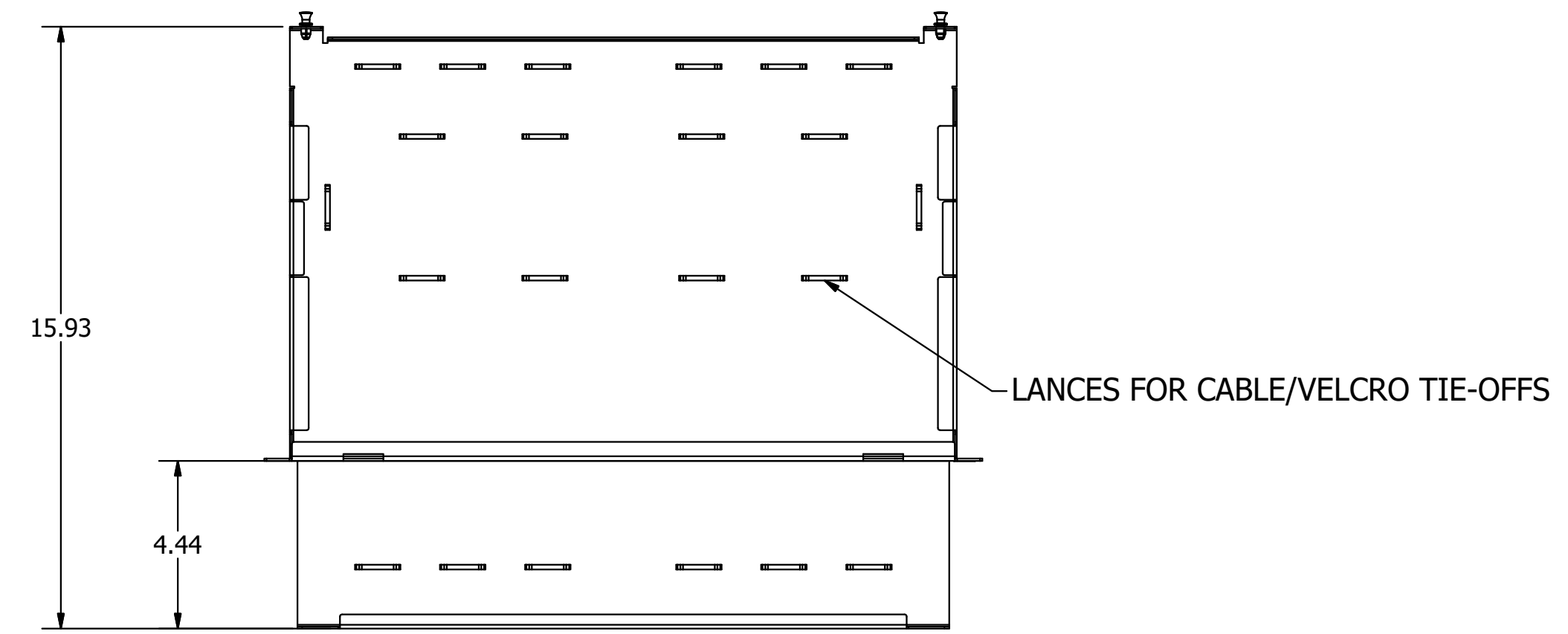
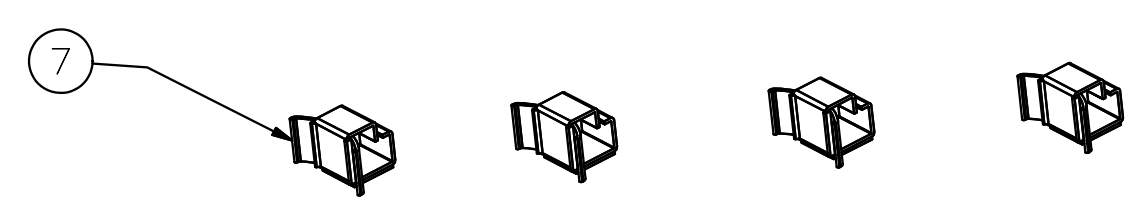
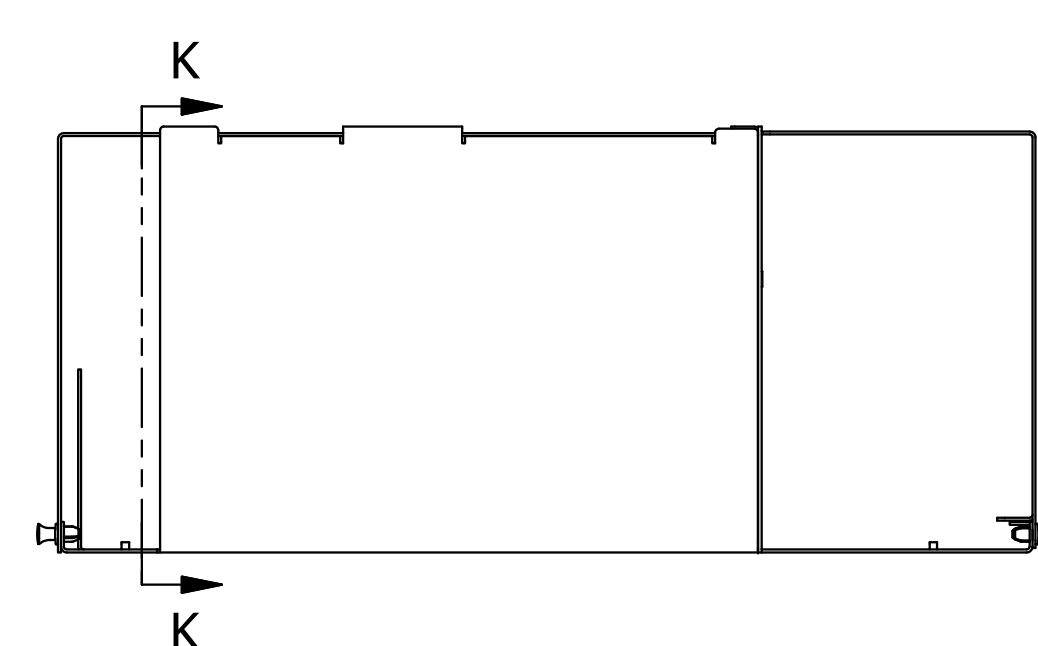
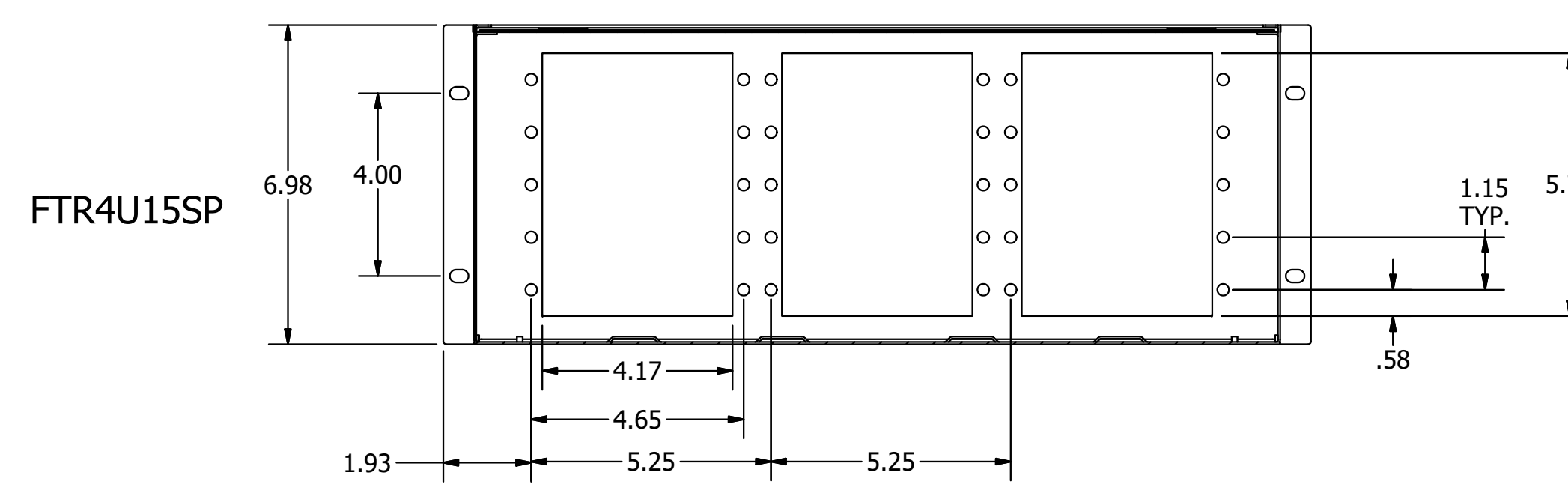
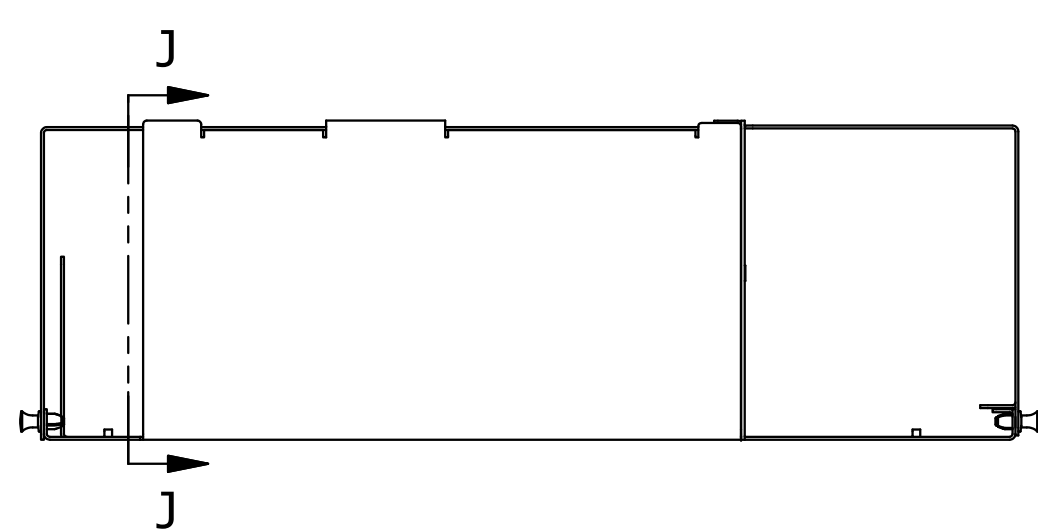
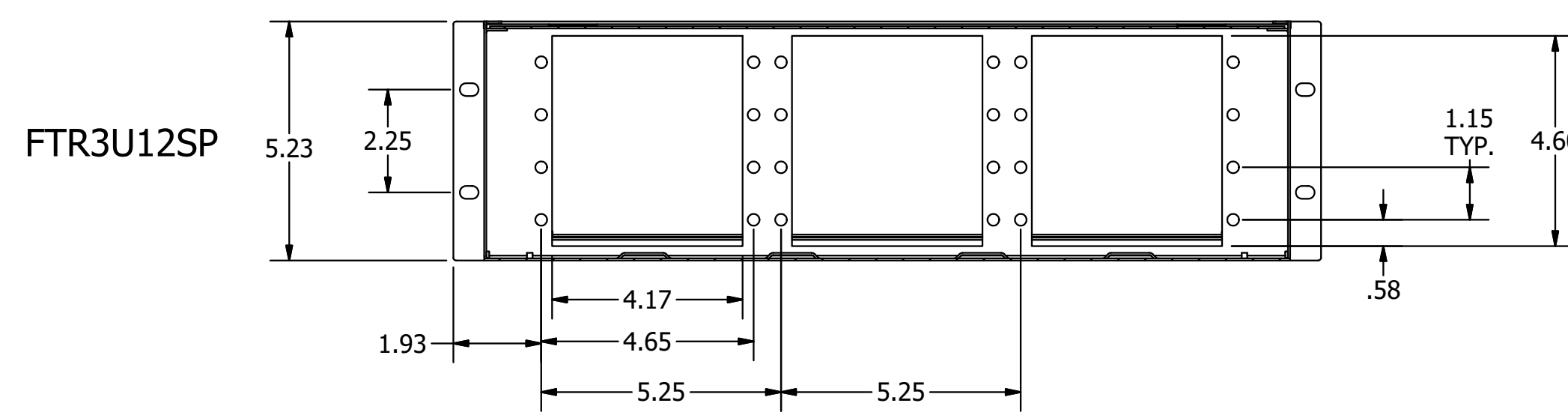
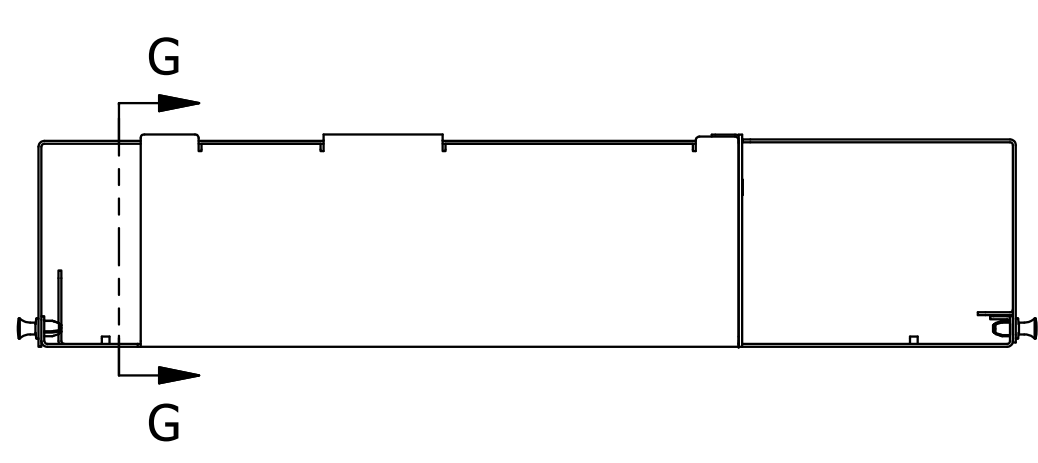
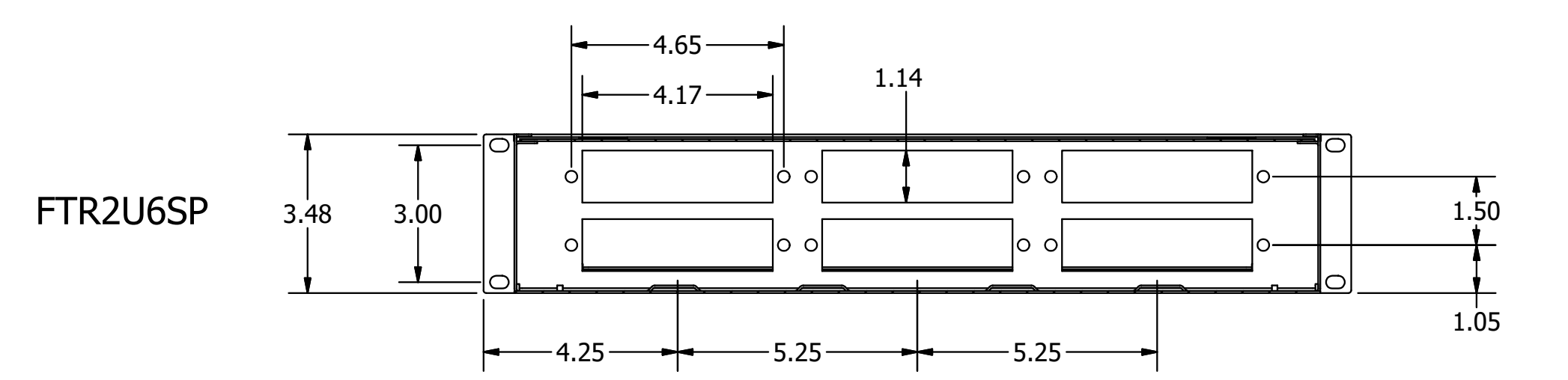
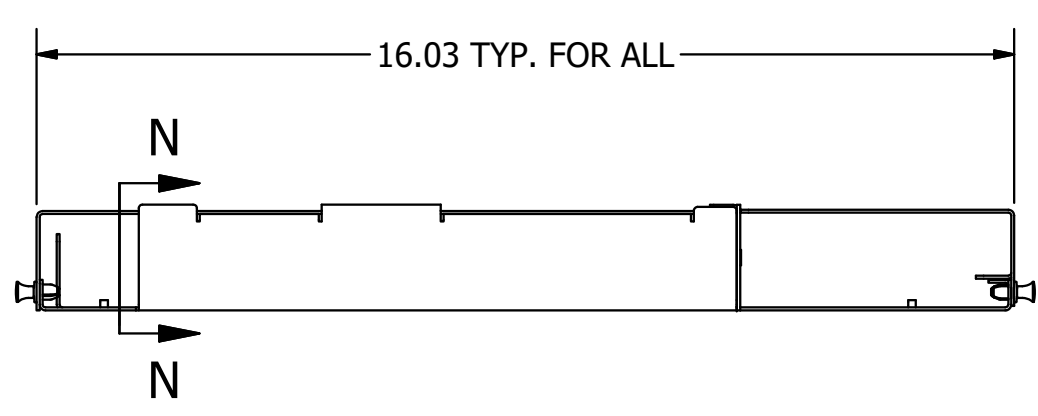
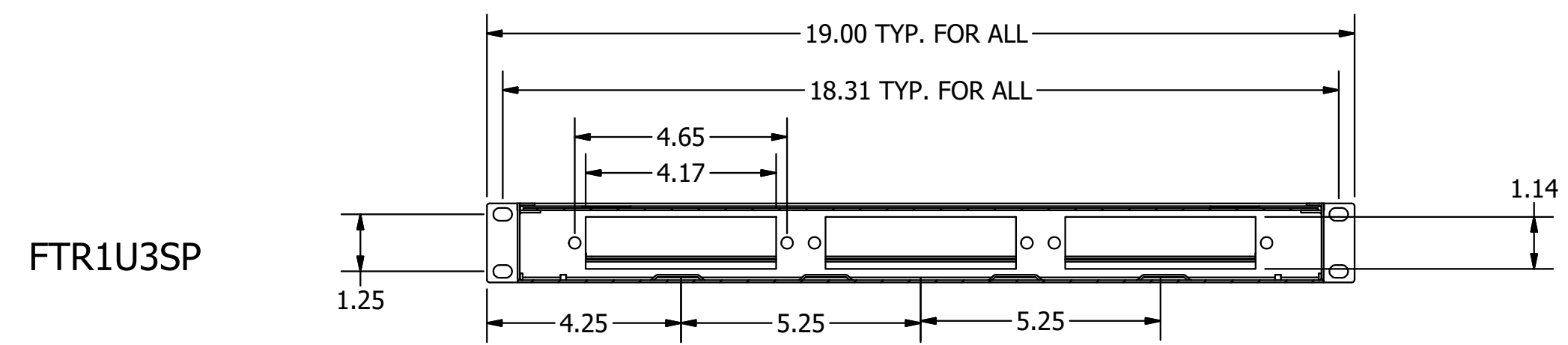


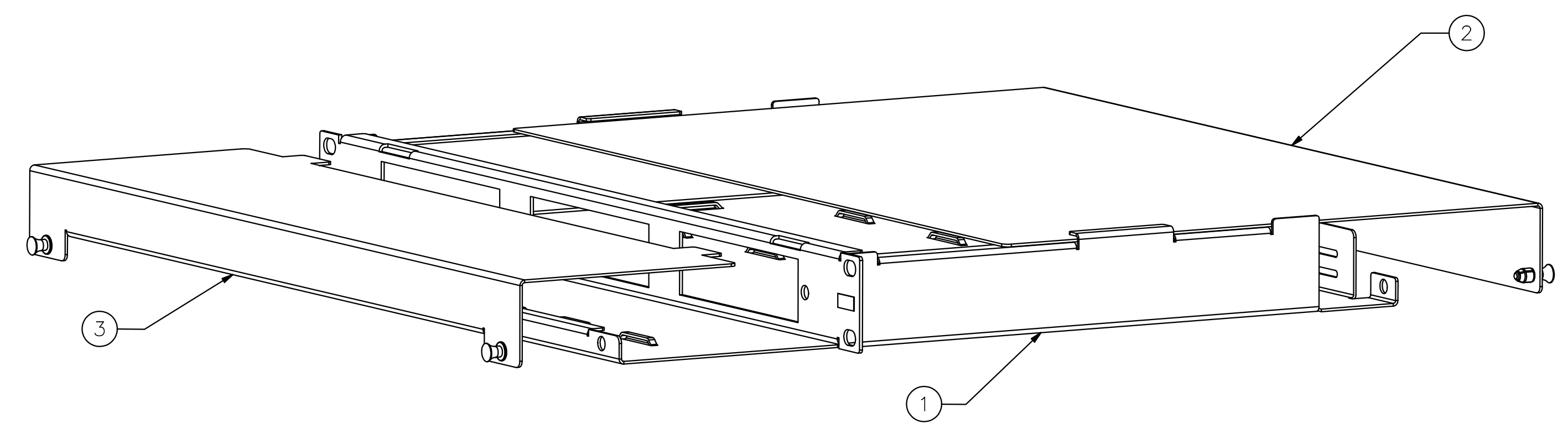
CATALOG NO.	DESCRIPTION
FTR1U3SP	FIBER, RKMT PNL, 1U, 3SP, W/MGT, UNLD
FTR2U6SP	FIBER, RKMT TRAY, 2U, W/CVR, 6FSP PNL, UNLD
FTR3U12SP	FIBER, RKMT TRAY, 3U, W/CVR, 12FSP PNL, UNLD
FTR4U15SP	FIBER, RKMT TRAY, 4U, W/CVR, 15FSP PNL, UNLD

NOTES:
 1. SURFACE FINISH: BLACK POWER COAT
 2. SPECIFICATIONS SUBJECT TO CHANGE WITHOUT NOTICE.

ITEM	DESCRIPTION	QTY
1	1U FSP MOUNTING TRAY	1
2	REAR COVER	1
3	FRONT COVER	1
4	INSTRUCTION SHEET	1
5	10.75" BLACK WIRE TIE	8
6	VELCRO FASTENER STRAP, BLACK	1
7	ADHESIVE BACKED CABLE CLIP	4
8	SCREW, #12-24 X 5/8 PAN HEAD COMBO	4
9	#12 NYLON WASHER	4



TOP VIEW
(COVERS NOT SHOWN FOR CLARITY)



REV.	ECN	DATE	DESCRIPTION	CHG BY	APPD BY
3	22427	01/25/17	CLARIFIED DRAWING	MMA	DO

Created on INVENTOR	DIMENSIONING AND TOLERANCE PER ANSI Y14.5M-1982 UNLESS OTHERWISE SPECIFIED, DIMENSIONS ARE IN INCHES (MM). TOLERANCES: .XX = ±.01 (.25) .XXX = ±.005 (.127) .XXXX = ±.0025 (.0635) ANGLE TOL ±1°		PROJECT REFERENCE: NPD 00160		Hubbell Premise Wiring HUBBELL INCORPORATED (Delaware) 23 CLARA DRIVE, SUITE 103 MYSTIC, CT 06355
	IN ACCEPTING OUR DRAWINGS, BLUEPRINTS, OR SUPPORTING DOCUMENTATION FOR QUOTATION OR OTHER PURPOSES, YOU AGREE NOT TO DISCLOSE TO OTHERS THE IDEAS, INFORMATION, OR DESIGNS SHOWN HEREIN, AND THAT YOU WILL MAKE NO USE OF SAME WITHOUT PERMISSION		MATERIAL: CRS		
	DRAWN BY: MABBY 06/01/16		CHECKED BY:		SIZE: D
	APPROVED BY:		DRAWING NO.: HWS1456601C		REV.: 3
SCALE: N/A		SHEET 1 OF 1			