

ITEM NO.	DESCRIPTION	QTY.
1	CUSTOM C5e STRANDED PATCH CABLE	1
2	PC STRAIN RELIEF BOOT	2
3	CUSTOM MODULAR PLUG	2
4	TRACEABILITY LABEL 100% TESTED	1

CATALOG NUMBER STRUCTURE

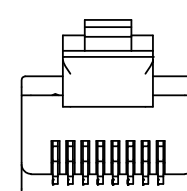
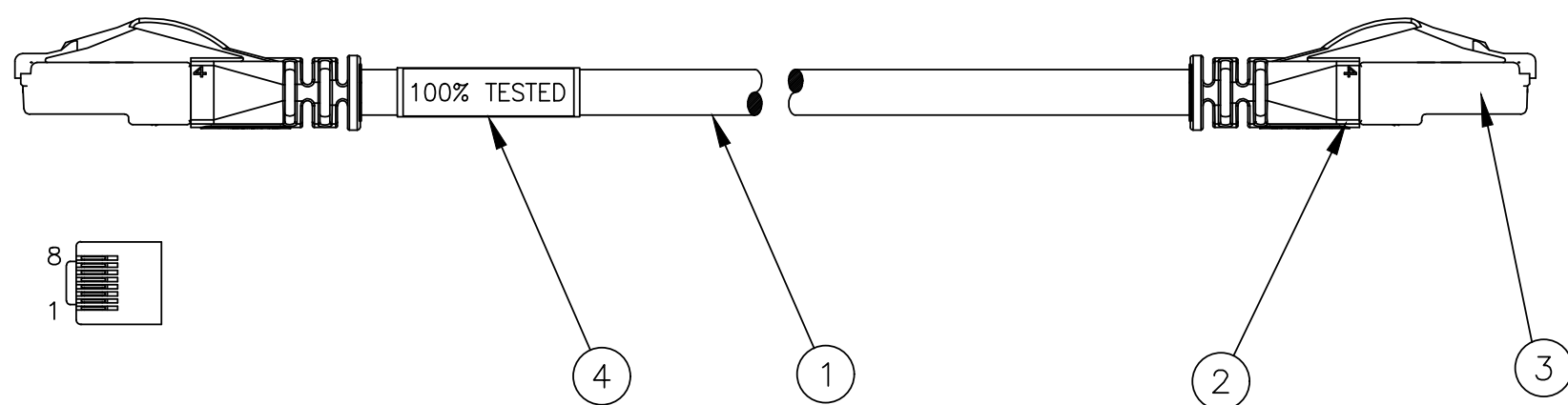
SINGLE PACK: HC5E-CC-YY EXAMPLE: HC5EBK15

24 COUNT BULK PACK: HC5E-CC-YY-X24 EXAMPLE: HC5EBK15X24

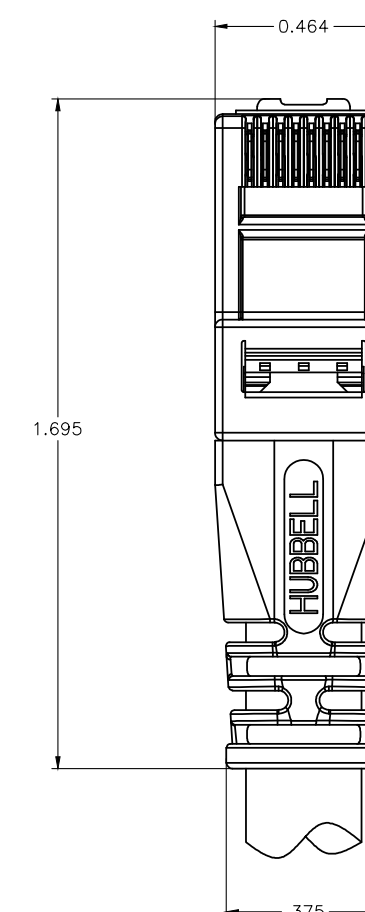
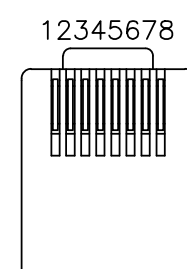
CC = CABLE COLOR, SEE TABLE  
 YY = LENGTH IN FEET, SEE TABLE  
 X24 SUFFIX = 24 COUNT BULK PACK

LENGTH "YY" (ft.)	CABLE COLOR	
	"CC"	COLOR
01	B	BLUE
03	GY	GRAY
05	W	WHITE
07	BK	BLACK
10	P	PURPLE
15	GN	GREEN
20	OR	ORANGE
25	R	RED
30	Y	YELLOW

**\*STANDARD LENGTHS ARE ALSO AVAILABLE IN 5 FOOT INCREMENTS FROM 35 TO 100 FEET.**



- 1 - WHITE/ORANGE
- 2 - ORANGE
- 3 - WHITE/GREEN
- 4 - BLUE
- 5 - WHITE/BLUE
- 6 - GREEN
- 7 - WHITE/BROWN
- 8 - BROWN



**WIRING DETAIL**

SCALE 2/1

**PLUG & BOOT DETAIL**


SCALE 2/1

**NOTES**

UNLESS OTHERWISE SPECIFIED:

1. PATCH CABLE, CATAGORY 5e, 24 AWG STRANDED (7/32) TINNED COPPER 0.0215 NOMINAL DIA (REF ITEM NO.1)
2. PC STRAIN RELIEF BOOT (REF ITEM NO.2)
3. CONTACTS 50 MICRO INCH GOLD PLATING (REF ITEM NO.3)
4. TRACEABILITY LABEL 100% TESTED (REF ITEM NO.4)
5. UL LISTED
6. SEE WIRING DETAIL FOR STANDARD T568B (TIA/EIA) WIRING (BOTH ENDS)
7. BALANCED SYSTEM CATEGORY 5e PERFORMANCE WITH HUBBELL SPEEDGAIN CATEGORY 5e SYSTEM.
8. 100% PERFORMANCE TESTED TO TIA/EIA 568-C CATEGORY 5e COMPONENT LIMITS.
9. SPECIFICATIONS SUBJECT TO CHANGE WITHOUT NOTICE.

REV.	ECN	DATE	DESCRIPTION	CHG BY	APPD BY
3	22519	10/3/17	ADDED BULK PACK TO TABLE NOTES	DPO	MMA
2	19359	10/16/13	CHANGED TO NEW SNAGLESS BOOT	DPO	MMA

Created on AUTOCAD	DIMENSIONING AND TOLERANCE PER ANSI Y14.5M-1982 UNLESS OTHERWISE SPECIFIED, DIMENSIONS ARE IN INCHES (MM). TOLERANCES .XX = ±.01 (.25) .XXX = ±.005 (.127) .XXXX = ±.0025 (.0635) ANGLE TOL ±1°		PROJECT REFERENCE:		 Hubbell Premise Wiring HUBBELL INCORPORATED (Delaware) 14 Lord's Hill Road, Stonington, Connecticut 06378	
			MATERIAL: SEE BILL OF MATERIALS			
	IN ACCEPTING OUR DRAWINGS, BLUEPRINTS, OR SUPPORTING DOCUMENTATION FOR QUOTATION OR OTHER PURPOSES, YOU AGREE NOT TO DISCLOSE TO OTHERS THE IDEAS, INFORMATION, OR DESIGNS SHOWN HEREIN, AND THAT YOU WILL MAKE NO USE OF SAME WITHOUT PERMISSION		DRAWN BY: C. GRIBBLE 11/11/10		TITLE: HC5e PATCH CORD ASSEMBLY	
			CHECKED BY:		SIZE: DRAWING NO. <b>C HWS13004C</b>	
		APPROVED BY:		SCALE: DNS SHEET 1 OF 1		

**3**