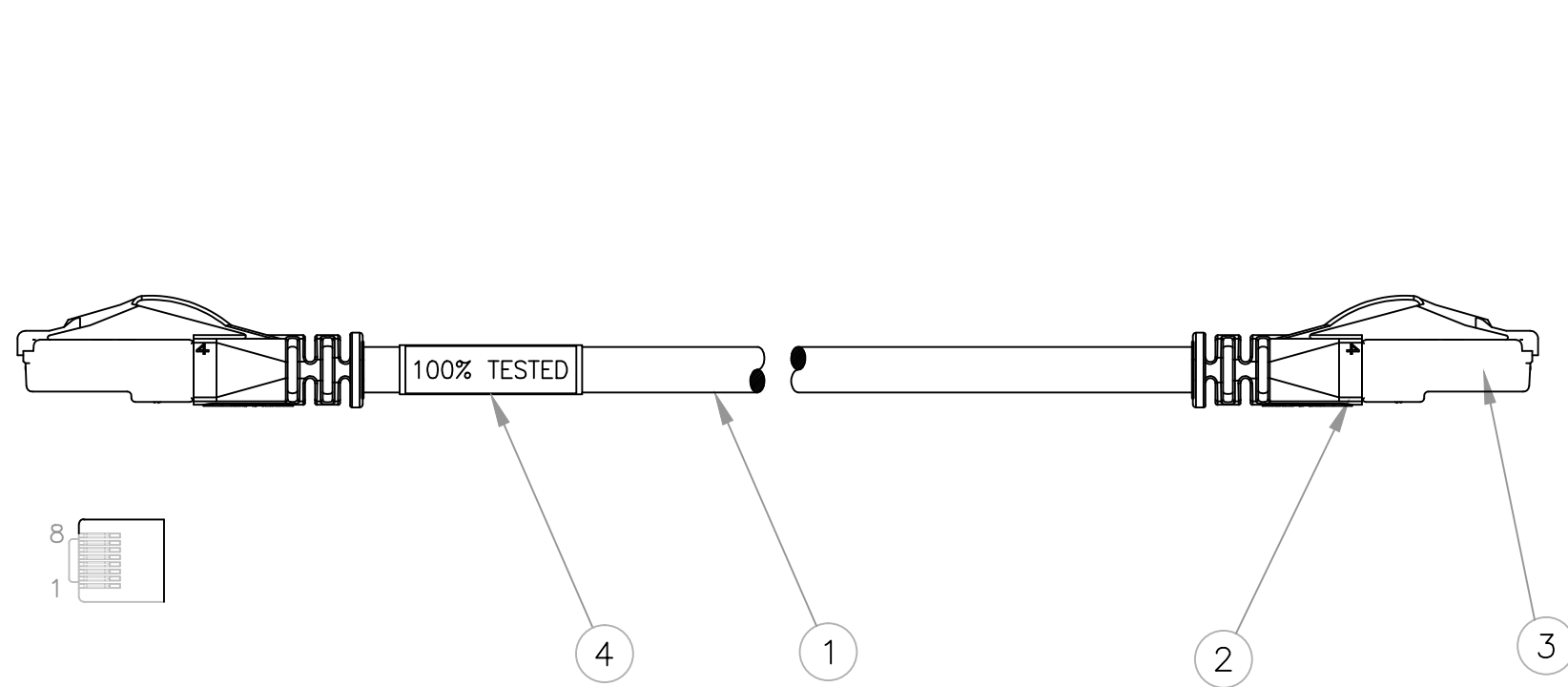


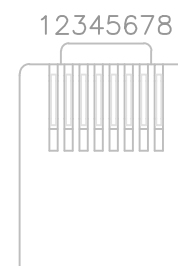
ITEM NO.	DESCRIPTION	QTY.
1	C5E SOLID PATCH CABLE, PLENUM RATED	1
2	PC STRAIN RELIEF BOOT	2
3	CUSTOM MODULAR PLUG	2
4	TRACEABILITY LABEL 100% TESTED	1

CATALOG NUMBERS	LENGTH FT	COLOR
HC5EB03P	3	BLUE
HC5EB05P	5	BLUE
HC5EB0P	7	BLUE
HC5EB10P	10	BLUE
HC5EGN03P	3	GREEN
HC5EGN05P	5	GREEN
HC5EGN07P	7	GREEN
HC5EGN10P	10	GREEN
HC5EGY03P	3	GRAY
HC5EGY05P	5	GRAY
HC5EGY07P	7	GRAY
HC5EGY10P	10	GRAY
HC5EY03P	3	YELLOW
HC5EY05P	5	YELLOW
HC5EY07P	7	YELLOW
HC5EY10P	10	YELLOW

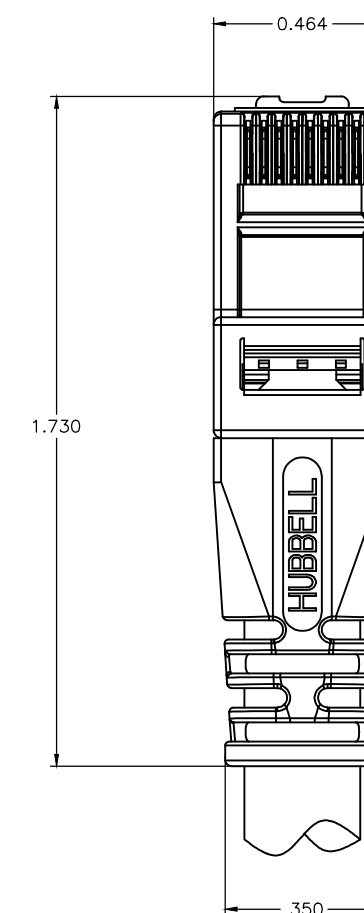
STANDARD LENGTHS AND COLORS ARE OUTLINED IN THE TABLE.  
 ADDITIONAL LENGTHS AND COLORS ARE AVAILABLE THROUGH THE HUBBELL  
 MAKE TO ORDER PATCH CORD SERVICE



- 1 - WHITE/ORANGE
- 2 - ORANGE
- 3 - WHITE/GREEN
- 4 - BLUE
- 5 - WHITE/BLUE
- 6 - GREEN
- 7 - WHITE/BROWN
- 8 - BROWN



**WIRING DETAIL**  
SCALE 2/1




**PLUG & BOOT DETAIL**

**NOTES**

UNLESS OTHERWISE SPECIFIED:

1. PATCH CABLE, CATAGORY 5E, 24 AWG SOLID COPPER CONDUCTOR 0.020" NOMINAL DIA (REF ITEM NO.1)
2. PC STRAIN RELIEF BOOT (REF ITEM NO.2)
3. CONTACTS 50 MICRO INCH GOLD PLATING (REF ITEM NO.3)
4. TRACEABILITY LABEL 100% TESTED (REF ITEM NO.4)
5. UL LISTED
6. SEE WIRING DETAIL FOR STANDARD T568B (TIA/EIA) WIRING (BOTH ENDS)
7. BALANCED SYSTEM CATEGORY 5e PERFORMANCE WITH HUBBELL NEXTSPEED CATEGORY 5e SYSTEM.
8. 100% PERFORMANCE TESTED TO TIA/EIA 568-C CATEGORY 5E COMPONENT LIMITS.
9. SPECIFICATIONS SUBJECT TO CHANGE WITHOUT NOTICE.

Created on AUTOCAD	DIMENSIONING AND TOLERANCE PER ANSI Y14.5M-1982 UNLESS OTHERWISE SPECIFIED, DIMENSIONS ARE IN INCHES (MM). TOLERANCES .XX = ±.01 (.25) .XXX = ±.005 (.127) .XXXX = ±.0025 (.0635) ANGLE TOL ±1°		PROJECT REFERENCE:		 Hubbell Premise Wiring HUBBELL INCORPORATED (Delaware) 14 Lord's Hill Road, Stonington, Connecticut 06378	
			MATERIAL: SEE NOTES			
	IN ACCEPTING OUR DRAWINGS, BLUEPRINTS, OR SUPPORTING DOCUMENTATION FOR QUOTATION OR OTHER PURPOSES, YOU AGREE NOT TO DISCLOSE TO OTHERS THE IDEAS, INFORMATION, OR DESIGNS SHOWN HEREIN, AND THAT YOU WILL MAKE NO USE OF SAME WITHOUT PERMISSION		DRAWN BY: D.O'CONNOR 6/17/14		TITLE: HC5E PLENUM PATCH CORD ASSEMBLY	
			CHECKED BY:		SIZE: C DRAWING NO.: HWS14442C SCALE: DNS SHEET 1 OF 1	
		APPROVED BY:		REV.: 1		

REV.	ECN	DATE	DESCRIPTION	CHG BY	APPD BY
1	21313	8/10/15	INITIAL RELEASE	DPO	