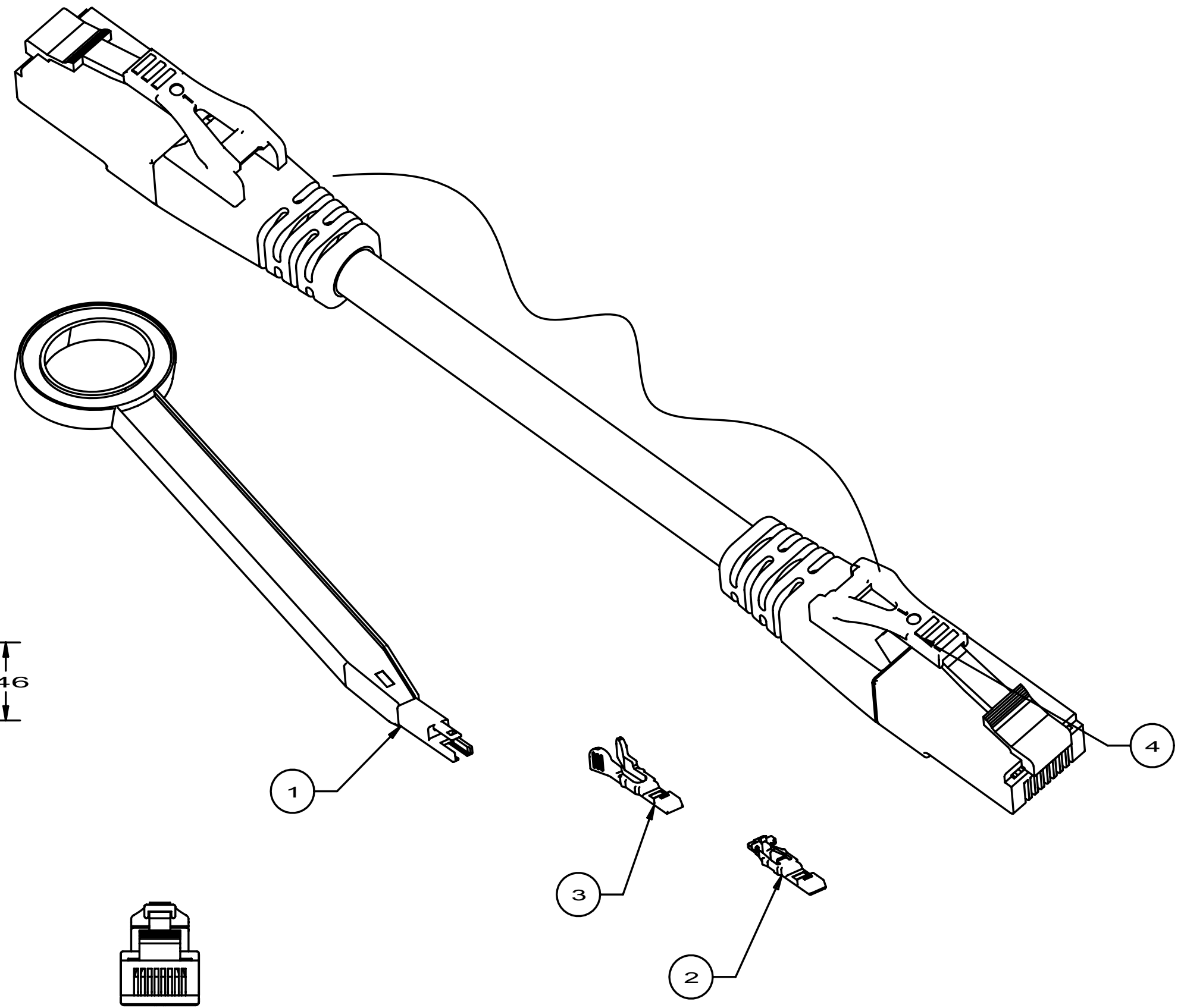
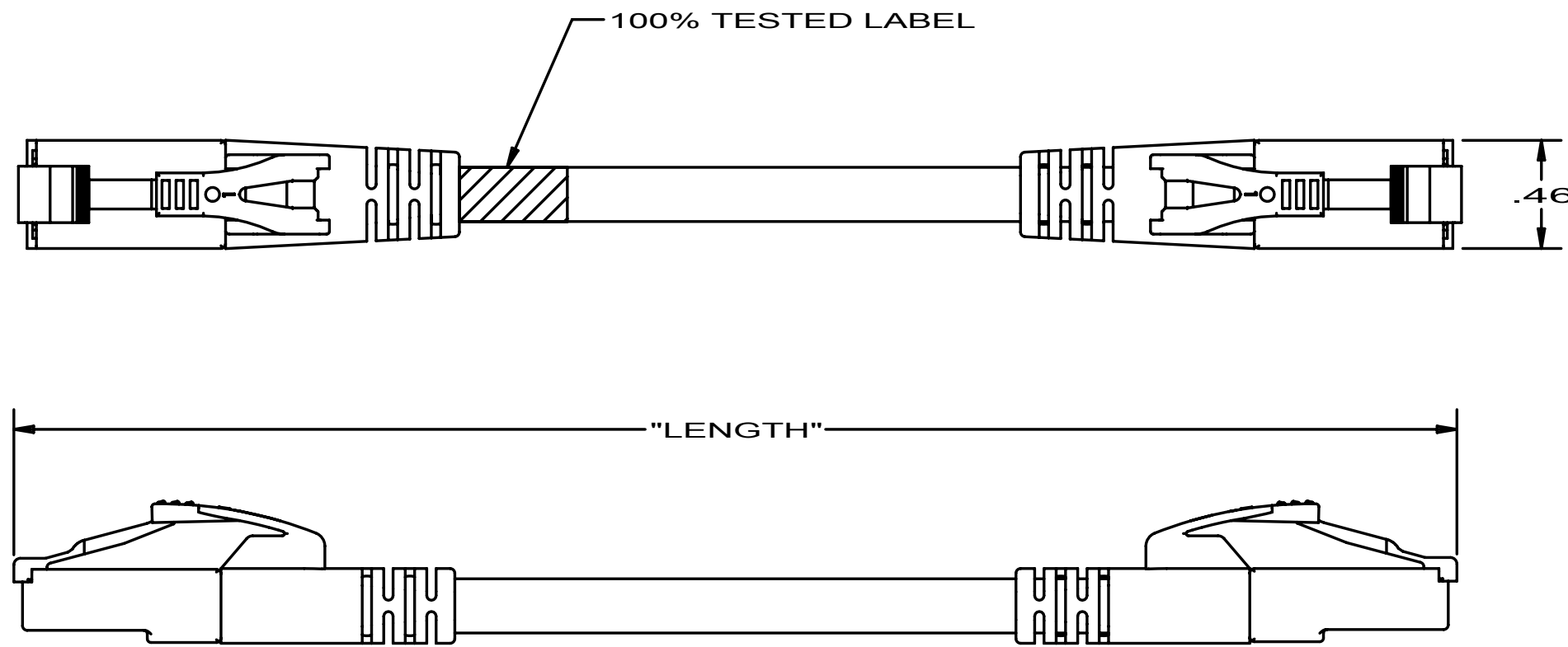


| ITEM # | PART NAME | COLOR | QTY |
|--------|-----------------------|--------|-----|
| 1 | SECURITY REMOVAL TOOL | CLEAR | 1 |
| 2 | SECURE LOCKING KEY | RED | 2 |
| 3 | UNSECURE LOCKING KEY | ORANGE | 2 |
| 4 | CAT6A PATCH CORD | xx | 1 |

| CATALOG NUMBER | DESCRIPTION | LENGTH | CABLE JACKET COLOR |
|----------------|---|--------|--------------------|
| HC6Axx**SP | P-CORD, NEXTSPEED,CAT6A,SECURE BOOT,xx,**FT | ** | xx |

** - DENOTES THE PATCHCORD LENGTH, IN FEET.
 THESE PATCH CORDS ARE AVAILABLE IN LENGTHS 3,5,7,10,15,20,25
 xx = SEE NOTE 8.

xx = SEE NOTE 8



12345678

- 1 - WHITE/ORANGE
- 2 - ORANGE
- 3 - WHITE/GREEN
- 4 - BLUE
- 5 - WHITE/BLUE
- 6 - GREEN
- 7 - WHITE/BROWN
- 8 - BROWN

NOTES


- UNLESS OTHERWISE SPECIFIED:
- PATCH CABLE, UTP CATEGORY 6A, 26 AWG STRANDED
 - CONTACTS 50 MICRO INCH GOLD PLATING
 - UL LISTED CABLE
 - BALANCED SYSTEM CATEGORY 6A PERFORMANCE WITH HUBBELL NEXTSPEED ASCENT CATEGORY 6A SYSTEM.
 - 100% PERFORMANCE TESTED TO ANSI/TIA T568.2-C CATEGORY 6A LIMITS WITH TRACEABILITY LABEL
 - SPECIFICATIONS SUBJECT TO CHANGE WITHOUT NOTICE.
 - CAT 6A PATCH CORD CABLE JACKETS AVAILABLE IN COLORS:

| xx | COLOR |
|-----------------|---------|
| BK | BLACK |
| BL | BLUE |
| GY | GRAY* |
| GN | GREEN* |
| OR | ORANGE* |
| P | PURPLE* |
| R | RED* |
| W | WHITE* |
| Y | YELLOW |
| * SPECIAL ORDER | |

Created on V-13 UNIGRAPHICS

DIMENSIONING AND TOLERANCING PER ANSI Y14.5M-1982. UNLESS OTHERWISE SPECIFIED, DIMENSIONS ARE IN INCHES [MM].
 TOLERANCES
 .XX = ±.01 []
 .XXX = ±.005 []
 .XXXX = ±.0025 []
 ANGLE TOL ±1°

IN ACCEPTING OUR DRAWINGS, BLUEPRINTS, OR SUPPORTING DOCUMENTATION FOR QUOTATION OR OTHER PURPOSES, YOU AGREE NOT TO DISCLOSE TO OTHERS THE IDEAS, INFORMATION, OR DESIGNS SHOWN HEREIN, AND THAT YOU WILL MAKE NO USE OF SAME WITHOUT PERMISSION.

| | | | |
|---|--|---|--------------------------|
| COMPONENTS CONTAINED IN THIS DOCUMENT MUST ADHERE TO ENVIRONMENTAL SPEC. HWS12367 | | | |
| PROJECT REFERENCE: PMR 031-16 | |  Hubbell Premise Wiring HUBBELL INCORPORATED (Delaware) 23 Clara Drive Suite 103, Mystic, Connecticut 06355 | |
| MATERIAL: | | TITLE: CAT6A LOCKING PATCH CORD ASSY. | |
| DRAWN BY: D. PECK 6/29/16 | | SIZE: C | DRAWING NO. HWS14665C |
| CHECKED BY: | | REV. A | |
| APPROVED BY: | | SCALE: NTS | SHEET 1 of 1 |

| REV. | ECN | DATE | DESCRIPTION | CHG BY | APPD BY |
|------|-------|---------|-----------------|--------|---------|
| A | 21469 | 6/29/16 | INITIAL RELEASE | DMP | |