

ITEM NO.	DESCRIPTION	QTY.
1	CUSTOM CAT 6A STRANDED PATCH CABLE	1
2	PC STRAIN RELIEF BOOT	2
3	CUSTOM MODULAR PLUG	2
4	TRACEABILITY LABEL 100% TESTED	1

CATALOG NUMBER STRUCTURE

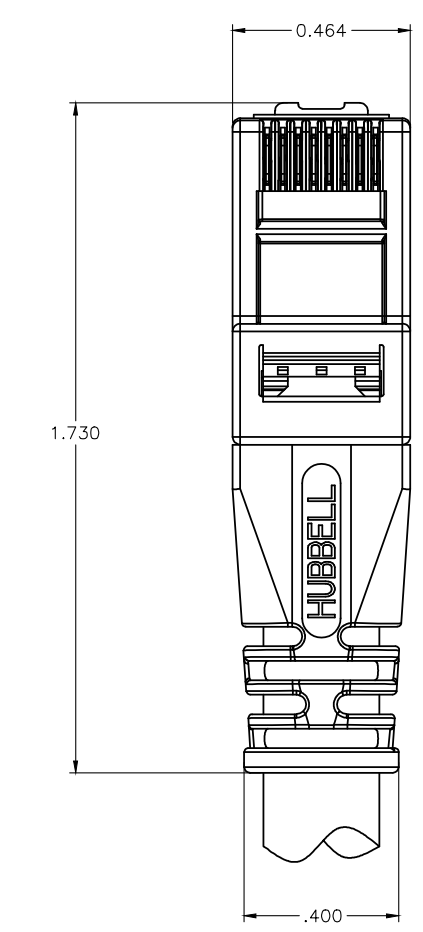
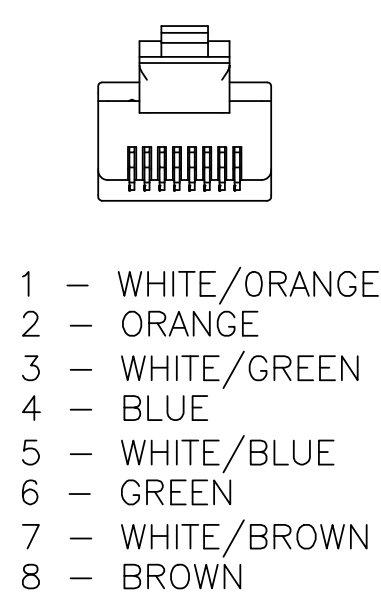
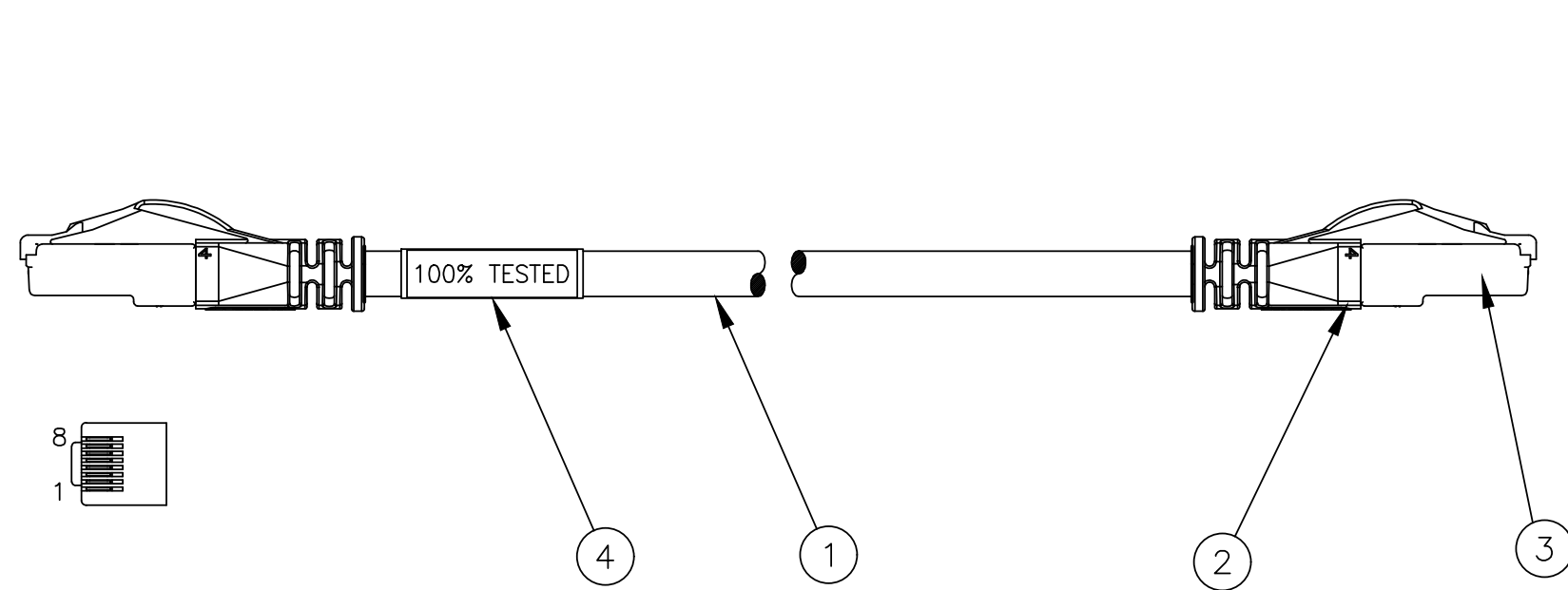
SINGLE PACK: HC6A-CC-YY EXAMPLE: HC6ABK15

24 COUNT BULK PACK: HC6A-CC-YY-X24 EXAMPLE: HC6ABK15X24

CC = CABLE COLOR, SEE TABLE
 YY = LENGTH IN FEET, SEE TABLE
 X24 SUFFIX = 24 COUNT BULK PACK

LENGTH "YY" (ft.)		CABLE COLOR	
"CC"	COLOR	"CC"	COLOR
01	B	B	BLUE
03	GY	GY	GRAY
05	W	W	WHITE
07	BK	BK	BLACK
10	P	P	PURPLE
15	GN	GN	GREEN
20	OR	OR	ORANGE
25	R	R	RED
30	Y	Y	YELLOW

***STANDARD LENGTHS ARE ALSO AVAILABLE IN 1 FOOT INCREMENTS FROM 1 TO 30 FEET, AND IN 5 FOOT INCREMENTS FROM 35 TO 100 FEET.**



WIRING DETAIL
SCALE 2/1

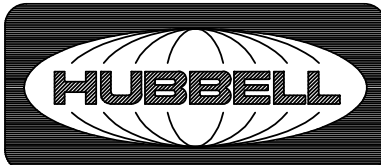
PLUG & BOOT DETAIL
SCALE 2/1

NOTES

UNLESS OTHERWISE SPECIFIED:

- PATCH CABLE, CATAGORY 6A, 26 AWG STRANDED (7/32) TINNED COPPER 0.0290 NOMINAL DIA (REF ITEM NO.1)
- PC STRAIN RELIEF BOOT (REF ITEM NO.2)
- CONTACTS 50 MICRO INCH GOLD PLATING (REF ITEM NO.3)
- TRACEABILITY LABEL 100% TESTED (REF ITEM NO.4)
- UL LISTED
- SEE WIRING DETAIL FOR STANDARD T568B (TIA/EIA) WIRING (BOTH ENDS)
- BALANCED SYSTEM CATEGORY 6A PERFORMANCE WITH HUBBELL NEXTSPEED ASCENT CATEGORY 6A SYSTEM.
- 100% PERFORMANCE TESTED TO TIA/EIA 568-C CATEGORY 6A COMPONENT LIMITS.
- SPECIFICATIONS SUBJECT TO CHANGE WITHOUT NOTICE.

REV.	ECN	DATE	DESCRIPTION	CHG BY	APPD BY
3	22519	10/3/17	ADDED X24 BULK PACKS	DPO	MMA
2	19359	10/16/13	CHANGED TO NEW SNAGLESS BOOT	DPO	MMA

Created on AUTOCAD	DIMENSIONING AND TOLERANCE PER ANSI Y14.5M-1982 UNLESS OTHERWISE SPECIFIED, DIMENSIONS ARE IN INCHES (MM). TOLERANCES .XX = ±.01 (.25) .XXX = ±.005 (.127) .XXXX = ±.0025 (.0635) ANGLE TOL ±1°		PROJECT REFERENCE:		 Hubbell Premise Wiring HUBBELL INCORPORATED (Delaware) 14 Lord's Hill Road, Stonington, Connecticut 06378
	IN ACCEPTING OUR DRAWINGS, BLUEPRINTS, OR SUPPORTING DOCUMENTATION FOR QUOTATION OR OTHER PURPOSES, YOU AGREE NOT TO DISCLOSE TO OTHERS THE IDEAS, INFORMATION, OR DESIGNS SHOWN HEREIN, AND THAT YOU WILL MAKE NO USE OF SAME WITHOUT PERMISSION		MATERIAL: SEE BILL OF MATERIALS		
			DRAWN BY: C. GRIBBLE 11/11/10		TITLE: HC6A PATCH CORD ASSEMBLY
			CHECKED BY:		SIZE: C DRAWING NO. HWS13002C SCALE: DNS
		APPROVED BY:		SHEET 1 OF 1 REV. 3	