

ITEM NO.	DESCRIPTION	QTY.
1	CUSTOM C6 STRANDED PATCH CABLE	1
2	PC STRAIN RELIEF BOOT	2
3	CUSTOM MODULAR PLUG	2
4	TRACEABILITY LABEL 100% TESTED	1

CATALOG NUMBER STRUCTURE

SINGLE PACK: HC6-CC-YY EXAMPLE: HC6BK15

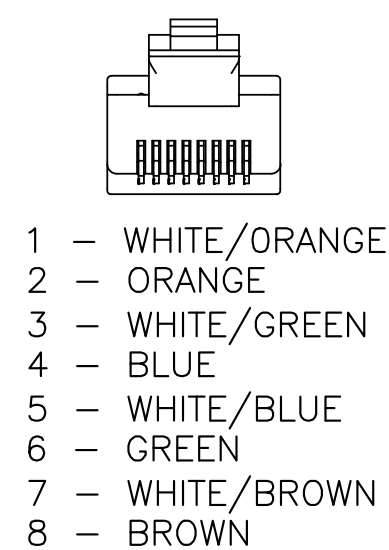
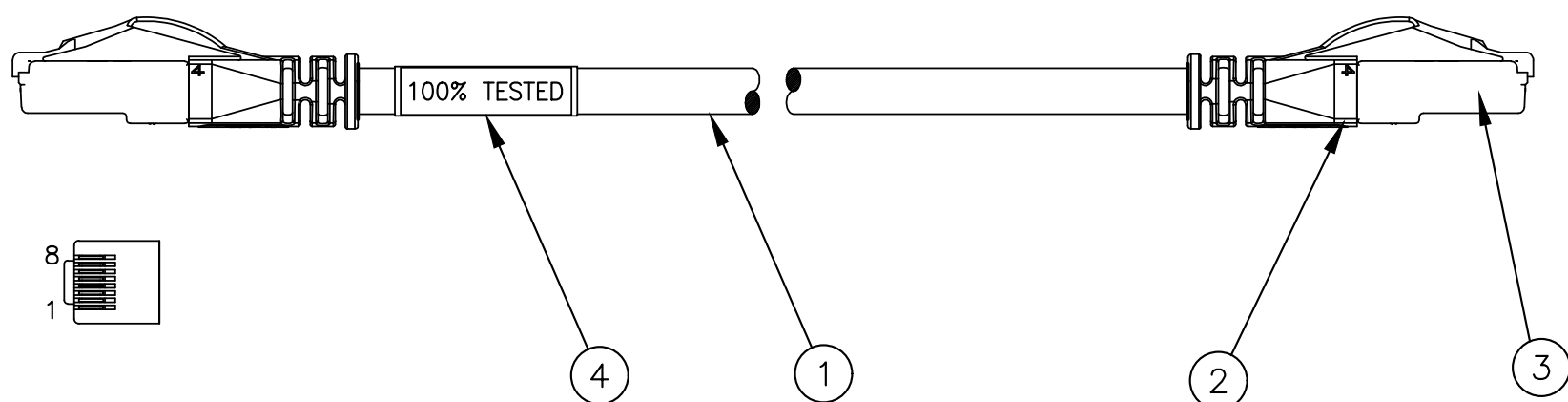
24 COUNT BULK PACK: HC6-CC-YY-X24 EXAMPLE: HC6BK15X24

CC = CABLE COLOR, SEE TABLE  
 YY = LENGTH IN FEET, SEE TABLE  
 X24 SUFFIX = 24 COUNT BULK PACK

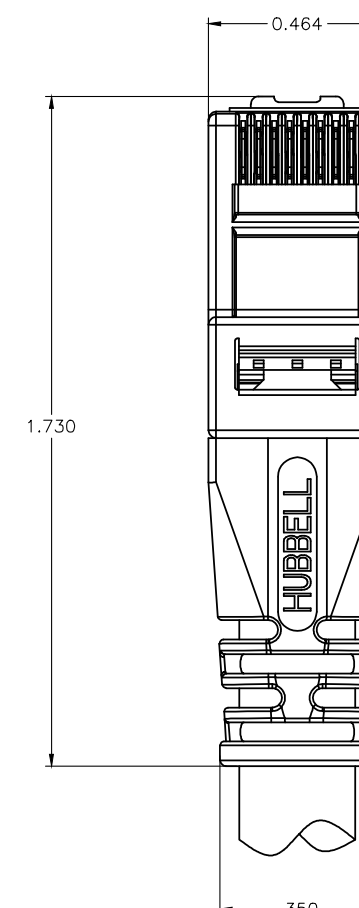
LENGTH "YY" (ft.)		CABLE COLOR	
"YY"	(ft.)	"CC"	COLOR
01		B	BLUE
03		GY	GRAY
05		W	WHITE
07		BK	BLACK
10		P	PURPLE
15		GN	GREEN
20		OR	ORANGE
25		R	RED
30		Y	YELLOW

**\*STANDARD LENGTHS ARE ALSO AVAILABLE IN 1 FOOT INCREMENTS FROM 1 TO 30 FEET, AND IN 5 FOOT INCREMENTS FROM 35 TO 100 FEET.**

**\*\*SINGLE PACK CORDS AVAILABLE WITH A NO BOOT OPTION, ADD "NB" TO END OF THE CATALOG NUMBER. EXAMPLE: HC6BK15NB**



**WIRING DETAIL**  
SCALE 2/1



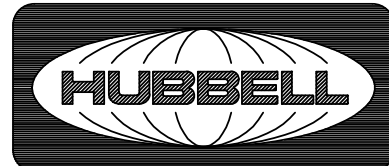
**PLUG & BOOT DETAIL**

**NOTES**

UNLESS OTHERWISE SPECIFIED:

- PATCH CABLE, CATEGORY 6, 24 AWG STRANDED (7/32) TINNED COPPER 0.0225 NOMINAL DIA (REF ITEM NO.1)
- PC STRAIN RELIEF BOOT (REF ITEM NO.2)
- CONTACTS 50 MICRO INCH GOLD PLATING (REF ITEM NO.3)
- TRACEABILITY LABEL 100% TESTED (REF ITEM NO.4)
- UL LISTED
- SEE WIRING DETAIL FOR STANDARD T568B (TIA/EIA) WIRING (BOTH ENDS)
- BALANCED SYSTEM CATEGORY 6 PERFORMANCE WITH HUBBELL NEXTSPEED CATEGORY 6 SYSTEM.
- 100% PERFORMANCE TESTED TO TIA/EIA 568-C CATEGORY 6 COMPONENT LIMITS.
- SPECIFICATIONS SUBJECT TO CHANGE WITHOUT NOTICE.

REV.	ECN	DATE	DESCRIPTION	CHG BY	APPD BY
6	22519	10/3/17	ADDED BULK PACK TO TABLE NOTES	DPO	MMA
5	19468	6/12/14	ADDED NO BOOT OPTION TO TABLE NOTES	DPO	MMA

Created on AUTOCAD	DIMENSIONING AND TOLERANCE PER ANSI Y14.5M-1982 UNLESS OTHERWISE SPECIFIED, DIMENSIONS ARE IN INCHES (MM). TOLERANCES .XX = ±.01 (.25) .XXX = ±.005 (.127) .XXXX = ±.0025 (.0635) ANGLE TOL ±1°		PROJECT REFERENCE:		 Hubbell Premise Wiring HUBBELL INCORPORATED (Delaware) 14 Lord's Hill Road, Stonington, Connecticut 06378
	IN ACCEPTING OUR DRAWINGS, BLUEPRINTS, OR SUPPORTING DOCUMENTATION FOR QUOTATION OR OTHER PURPOSES, YOU AGREE NOT TO DISCLOSE TO OTHERS THE IDEAS, INFORMATION, OR DESIGNS SHOWN HEREIN, AND THAT YOU WILL MAKE NO USE OF SAME WITHOUT PERMISSION		MATERIAL:  SEE BILL OF MATERIALS		
			DRAWN BY: C. GRIBBLE 11/11/10		TITLE: <b>HC6 PATCH CORD ASSEMBLY</b>
			CHECKED BY:		SIZE: <b>C</b> DRAWING NO.: <b>HWS13003C</b> SCALE: <b>DNS</b>
		APPROVED BY:		SHEET <b>1</b> OF <b>1</b> REV. <b>6</b>	