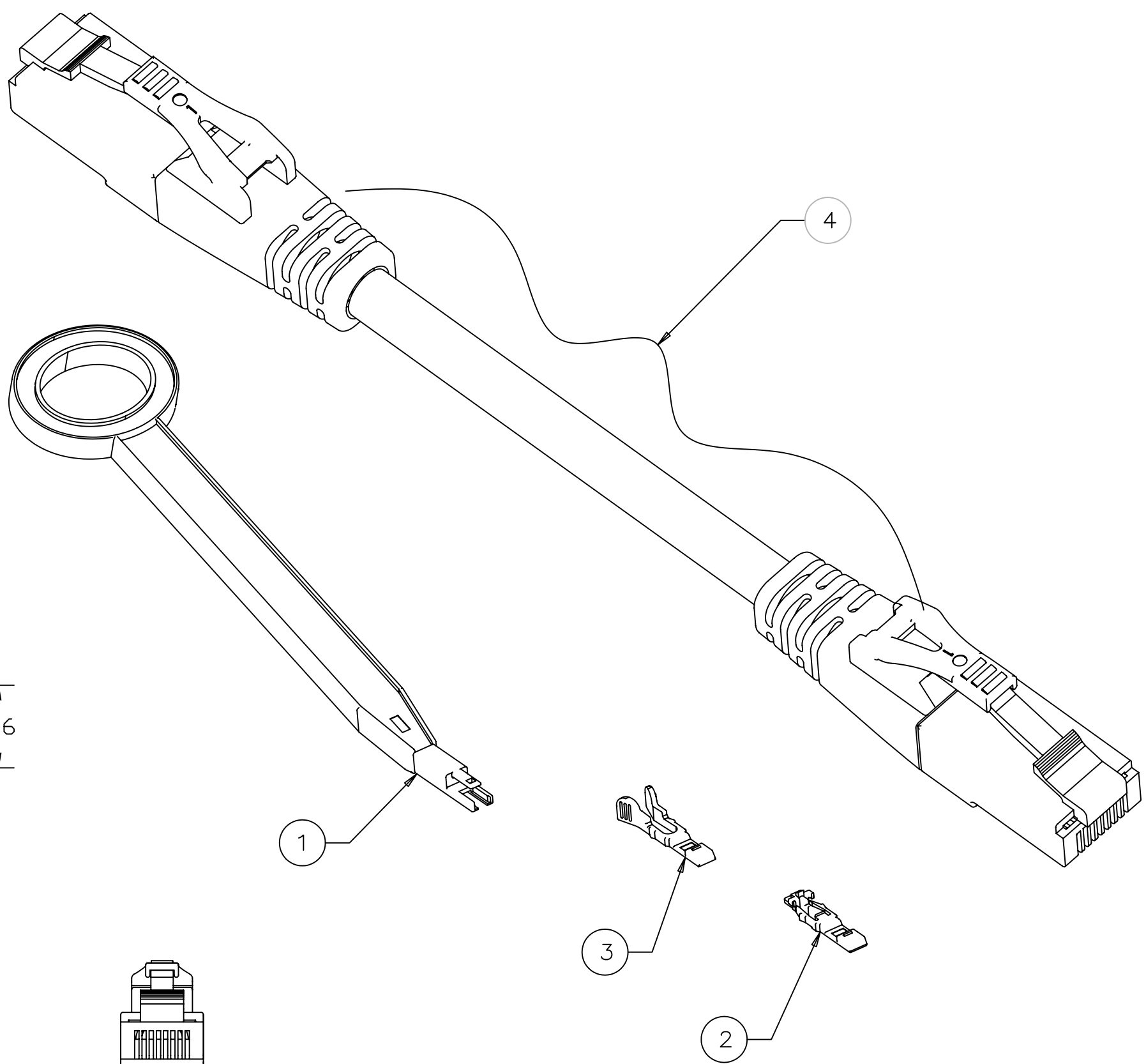
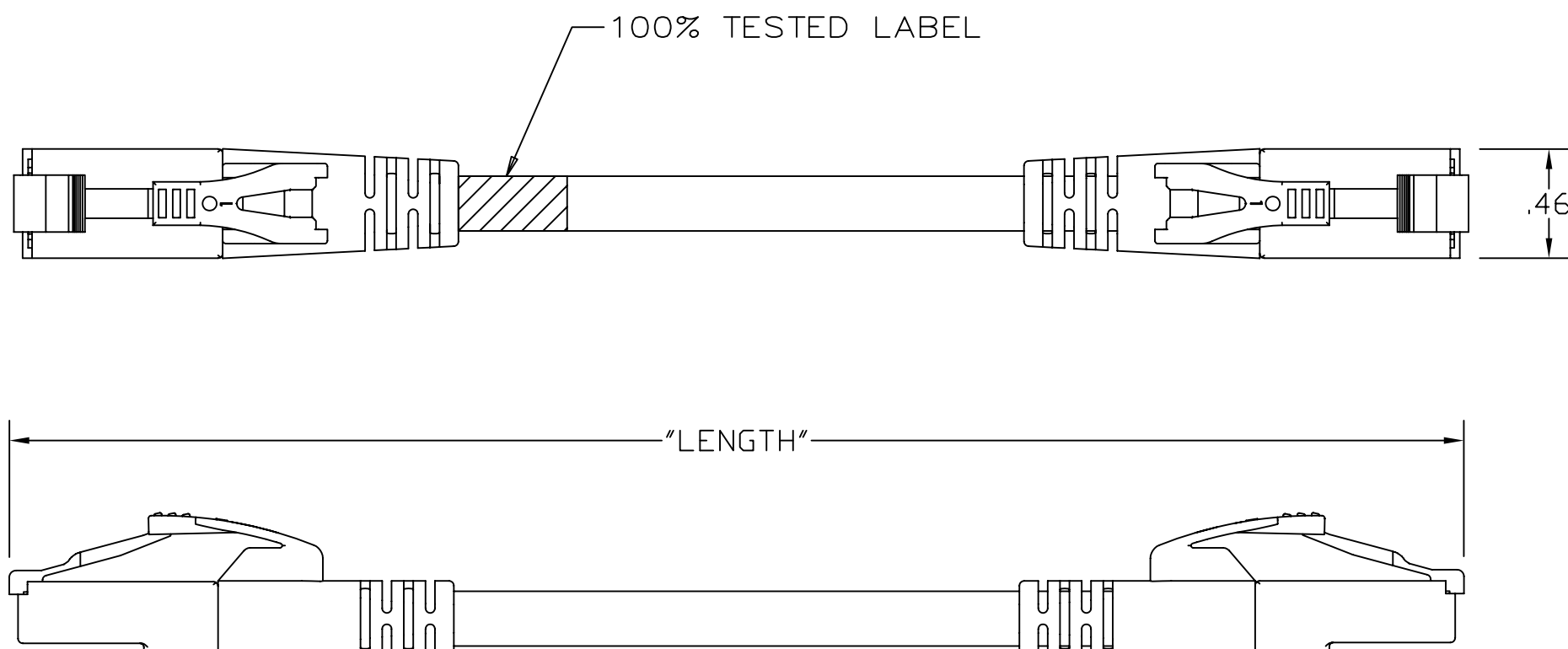


ITEM #	PART NAME	COLOR	QTY
1	SECURITY REMOVAL TOOL	CLEAR	1
2	SECURE LOCKING KEY	RED	2
3	UNSECURE LOCKING KEY	ORANGE	2
4	CAT6 PATCH CORD	xx	1

CATALOG NUMBER	DESCRIPTION	LENGTH	CABLE JACKET COLOR
HC6xx**SP	P-CORD, NEXTSPEED,CAT6,SECURE BOOT,BL,**FT	**	xx

\*\* - DENOTES THE PATCHCORD LENGTH, IN FEET. THESE PATCH CORDS ARE AVAILABLE IN LENGTHS FROM 1 FOOT TO 15 FOOT, IN 1 FOOT INCREMENTS ALSO 20 AND 25 FOOT LENGTHS  
xx = see note 8.

xx = see note 8



12345678

- 1 - WHITE/ORANGE
- 2 - ORANGE
- 3 - WHITE/GREEN
- 4 - BLUE
- 5 - WHITE/BLUE
- 6 - GREEN
- 7 - WHITE/BROWN
- 8 - BROWN


NOTES  
UNLESS OTHERWISE SPECIFIED:  
1. PATCH CABLE, UTP CATEGORY 6, 24 AWG STRANDED  
2. CONTACTS 50 MICRO INCH GOLD PLATING  
3. UL LISTED CABLE  
4. BALANCED SYSTEM CATEGORY 6 PERFORMANCE WITH HUBBELL NEXTSPEED ASCENT CATEGORY 6 SYSTEM.  
5. 100% PERFORMANCE TESTED TO TIA/EIA 568-C CATEGORY 6 COMPONENT LIMITS WITH TRACEABILITY LABEL  
6. SPECIFICATIONS SUBJECT TO CHANGE WITHOUT NOTICE.  
7. CAT 6 PATCH CORD CABLE JACKETS AVAILABLE IN COLORS:

xx	COLOR
BK	BLACK
B	BLUE
GY	GRAY
GN	GREEN
OR	ORANGE
P	PURPLE
R	RED
W	WHITE
Y	YELLOW
PK	PINK
BN	BROWN

Created on V-13 UNIGRAPHICS

DIMENSIONING AND TOLERANCING PER  
ANSI Y14.5M-1982  
UNLESS OTHERWISE SPECIFIED,  
DIMENSIONS ARE IN INCHES [MM].  
TOLERANCES  
.XX = ±.01 [ ]  
.XXX = ±.005 [ ]  
XXX = ±.0025 [ ]  
ANGLE TOL ±1°

IN ACCEPTING OUR DRAWINGS,  
BLUEPRINTS, OR SUPPORTING  
DOCUMENTATION FOR QUOTATION  
OR OTHER PURPOSES, YOU AGREE  
NOT TO DISCLOSE TO OTHERS  
THE IDEAS, INFORMATION, OR  
DESIGNS SHOWN HEREIN, AND  
THAT YOU WILL MAKE NO USE  
OF SAME WITHOUT PERMISSION.

COMPONENTS CONTAINED IN THIS DOCUMENT MUST ADHERE TO ENVIRONMENTAL SPEC. HWS12367		
PROJECT REFERENCE: 2012-036	 Hubbell Premise Wiring HUBBELL INCORPORATED (Delaware) 23 Clara Drive Suite 103, Mystic, Connecticut 06355	
MATERIAL:	TITLE: CAT6 LOCKING PATCH CORD	
DRAWN BY: D. PECK 9/24/13	SIZE C	DRAWING NO. HWS14367C
CHECKED BY:	SCALE: NTS	REV. 3
APPROVED BY:	SHEET 1 of 1	

REV.	ECN	DATE	DESCRIPTION	CHG BY	APPD BY
3	21483	08/02/16	ADDED PINK & BROWN CABLE COLORS	JJRJ	