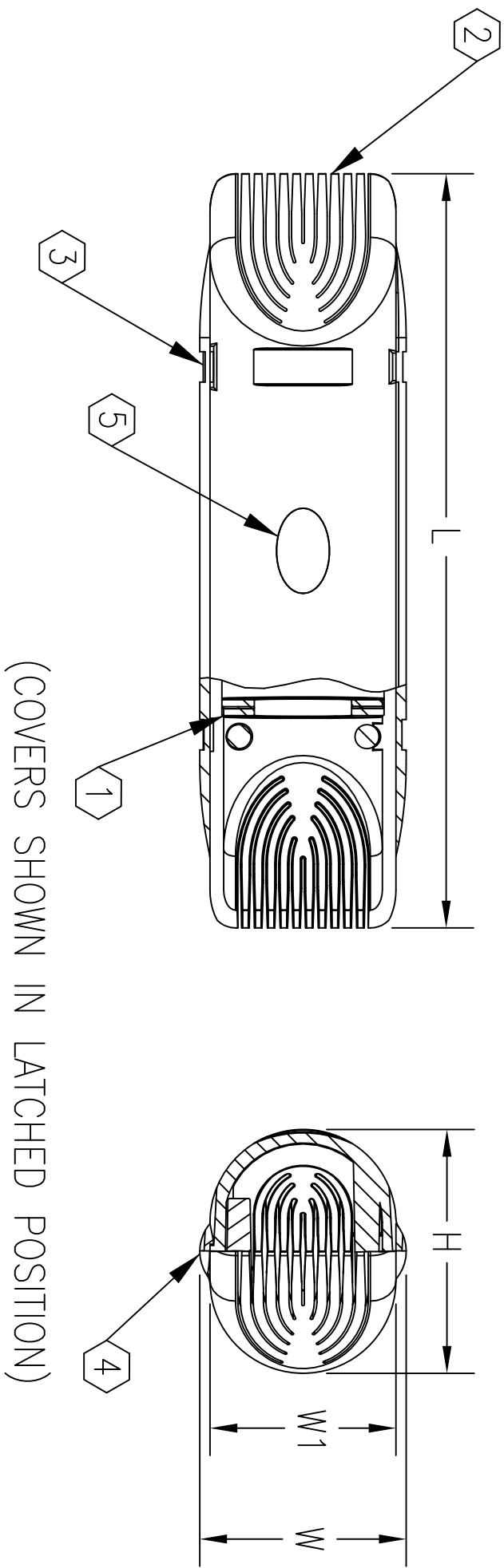
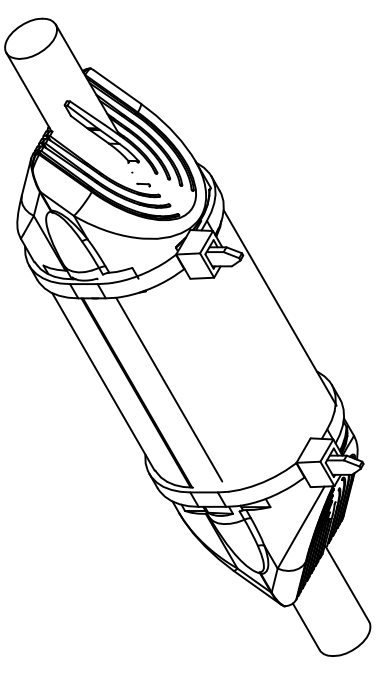


HPW CAT#	DIMENSIONS (INCHES)				ACCOMMODATIONS
	H	W	W1 REF	L	
HCCFBGFR	1.16	.85	.76	3.63	FOR "H" COPPER CRIMPIT CONNECTORS, ONLY 3/4 INCH LONG INSTALLED. USE WITH: HXH6C6C
HCCFORR	1.44	1.21	1.09	4.42	FOR "H" COPPER CRIMPIT CONNECTORS, 1 INCH LONG INSTALLED. USE WITH: HXH2C2C
HCCDFRR	1.82	1.48	1.36	5.06	FOR "H" COPPER CRIMPIT CONNECTORS, 1-1/8 INCH LONG INSTALLED. USE WITH: HXH292C
HCCFDX	2.46	1.57	1.45	6.00	FOR "H" COPPER CRIMPIT CONNECTORS, 1-1/8 INCH LONG INSTALLED. USE WITH: HXH2929
HCCFN	2.76	2.05	1.85	7.25	FOR "H" COPPER CRIMPIT CONNECTORS, 1-1/4 INCH LONG INSTALLED. USE WITH: HXH3434, HXH3429
HCCFR	3.66	2.58	2.38	8.63	FOR "H" COPPER CRIMPIT CONNECTORS, 1-1/2 INCH LONG INSTALLED. USE WITH: HXH3939, HXH3931

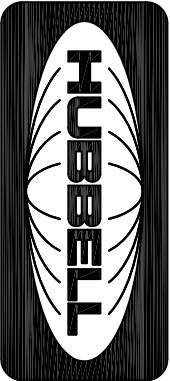


(COVERS SHOWN IN LATCHED POSITION)

- FEATURES:
- ① CONNECTOR END STOPS
 - ② FLEXIBLE FINGERS
 - ③ SNAP TIGHT LATCHES
 - ④ 2 PIECE CONSTRUCTION
 - ⑤ MAGNIFYING LENS

- NOTES:
1. MATERIAL: FLAME RETARDANT HIGH DENSITY POLYCARBONATE UL94 V-0 RATED
MAX. VOLTAGE = 600V
MAX. OPERATING TEMP = 90°C
MIN. 28 OXYGEN INDEX
 2. SPECIFICATIONS SUBJECT TO CHANGE WITHOUT NOTICE.

REV.	ECN	DATE	DESCRIPTION	CHG BY	APPD BY
2	18114	3/12/13	ADDED NEW CAT. NO.	MMA	

Created on AUTOCAD		DIMENSIONING AND TOLERANCE PER ANSI Y14.5M-1982 UNLESS OTHERWISE SPECIFIED, DIMENSIONS ARE IN INCHES (MM). TOLERANCES: .XX = ±.01 (.25) .XXX = ±.005 (.127) .XXXX = ±.0025 (.0635) ANGLE TOL ±1°	
PROJECT REFERENCE: 2011-041	MATERIAL: SEE NOTES	DRAWN BY: C. GRIBBLE 8/13/12	 <p>Hubbell Premise Wiring HUBBELL INCORPORATED (Delaware) 23 CLARA DRIVE, SUITE 103 MWSTIC, CT 06355</p>
CHECKED BY:	APPROVED BY:	TITLE: HTAP COVERS - CLEAR	SIZE DRAWING NO. C HWS14104C
SCALE: 1/1	SHEET 1 OF 1	REV.	2