

HPW CAT#	FIG. NO.	DIM'S (INCHES)			NOMINAL WALL THICKNESS		
		H	W	W1 REF. L			
HCFBGFR	1	1.16	1.24	--	1.75	FOR 'H' COPPER CRIMPIT CONNECTORS, ONLY 3/4 IN. LONG INSTALLED. USE WITH: HYH6CGC	.08
HCFOFR	2	1.90	1.49	1.16	3.39	FOR 'H' AND 'C' COPPER CRIMPIT CONNECTORS, 1 IN. LONG INSTALLED. USE WITH: HYH2C2C	.08
HCDFDR	2	2.02	1.59	1.26	3.39	FOR 'H' AND 'C' COPPER CRIMPIT CONNECTORS, 1-1/8 IN. LONG INSTALLED. USE WITH: HYH292C	.08
HC FN	2	2.55	1.98	1.66	3.87	FOR 'H' AND 'C' COPPER CRIMPIT CONNECTORS, 1-1/4 IN. LONG INSTALLED. USE WITH: HYH3434, HYH3429	.08
HC FR	2	3.58	2.60	2.13	5.70	FOR 'H' AND 'C' COPPER CRIMPIT CONNECTORS, 1-1/2 IN. LONG INSTALLED. USE WITH: HYH3939, HYH3931	.11

ACCOMMODATIONS

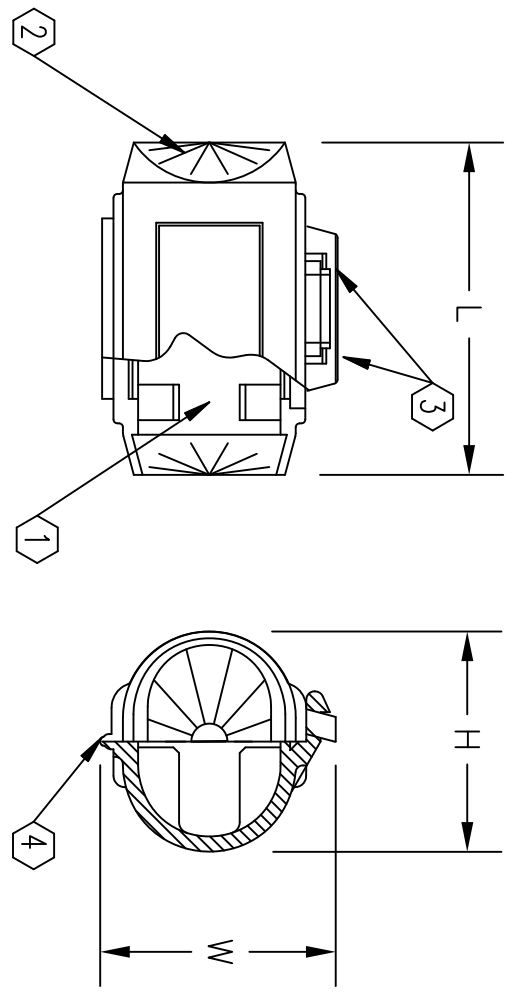


FIGURE 1
(COVER SHOWN IN LATCHED POSITION)

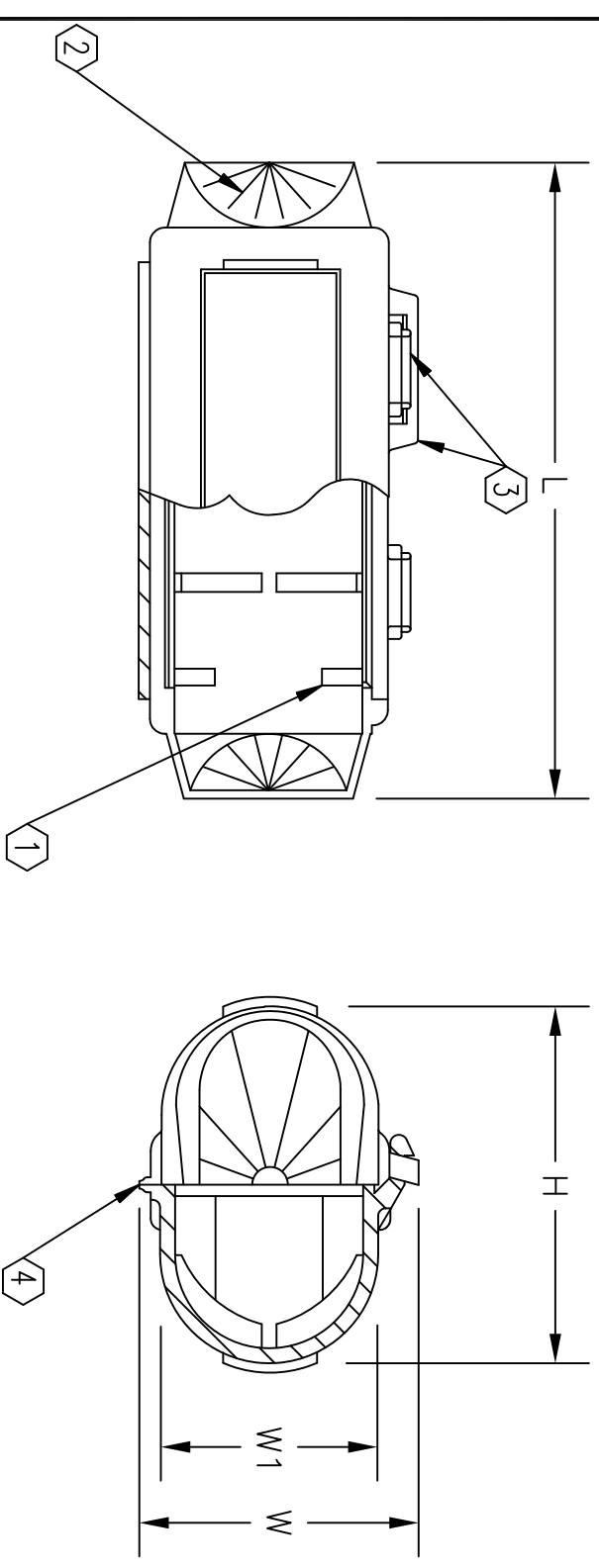



FIGURE 2
(COVER SHOWN IN LATCHED POSITION)

- NOTES:
1. MATERIAL: FLAME RETARDANT HIGH DENSITY POLYPROPYLENE UL94 V-0 RATED
MAX. VOLTAGE = 600V
MAX. OPERATING TEMP = 90°C
MIN. 28 OXYGEN INDEX
 2. SPECIFICATIONS SUBJECT TO CHANGE WITHOUT NOTICE.

- FEATURES:
- ① CONNECTOR END STOPS
 - ② FLEXIBLE FINGERS
 - ③ SNAP TIGHT LATCHES
 - ④ HINGED ONE-PIECE CONSTRUCTION

REV.	ECN	DATE	DESCRIPTION	CHG BY	APPD BY
2	18114	03/08/13	ADDED TWO CAT. NUMBERS	MMA	

Created on AUTOCAD		<p>DIMENSIONING AND TOLERANCE PER ANSI Y14.5M-1982 UNLESS OTHERWISE SPECIFIED, DIMENSIONS ARE IN INCHES (MM). TOLERANCES: .XX = ±.01 (.25) .XXX = ±.005 (.127) .XXXX = ±.0025 (.0635) ANGLE TOL. ±1°</p>	
<p>PROJECT REFERENCE: 2011-041</p>	<p>MATERIAL: SEE NOTES</p>	<p>DRAWN BY: C. GRIBBLE 10/10/12</p>	 <p>Hubbell Premise Wiring HUBBELL INCORPORATED (Delaware) 23 CLARA DRIVE, SUITE 403 MWSTIC, CT 06355</p>
<p>IN ACCEPTING OUR DRAWINGS, BLUEPRINTS, OR SUPPORTING DOCUMENTATION FOR QUOTATION OR OTHER PURPOSES, YOU AGREE NOT TO DISCLOSE TO OTHERS THE IDEAS, INFORMATION, AND DESIGNS SHOWN HEREIN, AND THAT YOU WILL MAKE NO USE OF SAME WITHOUT PERMISSION</p>	<p>APPROVED BY:</p>	<p>TITLE: HTAP COVERS - BLACK</p>	
<p>SIZE C</p>	<p>DRAWING NO. HWS14188C</p>	<p>SCALE: 1/1</p>	<p>SHEET 1 OF 1</p>
			<p>REV. 2</p>