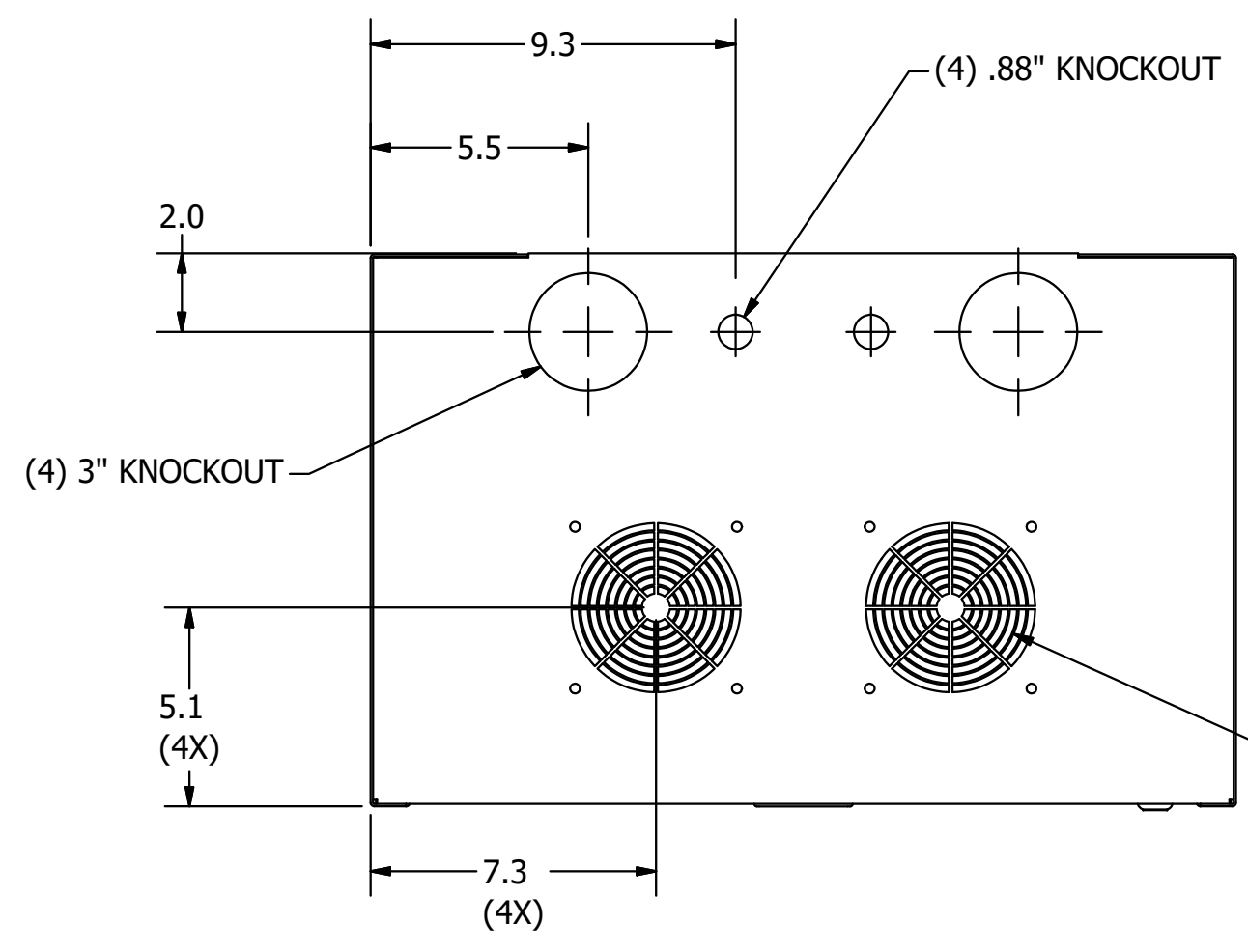
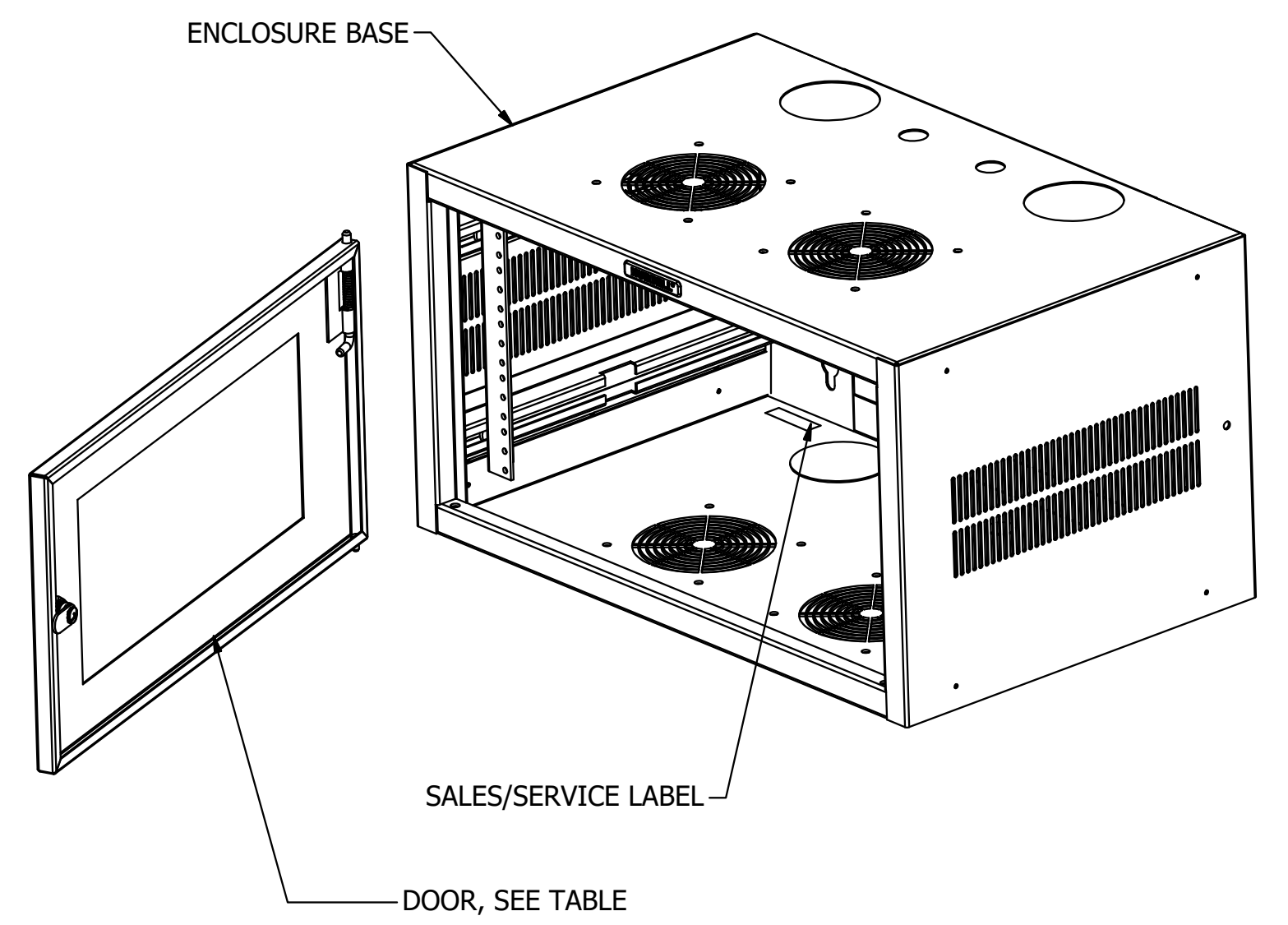
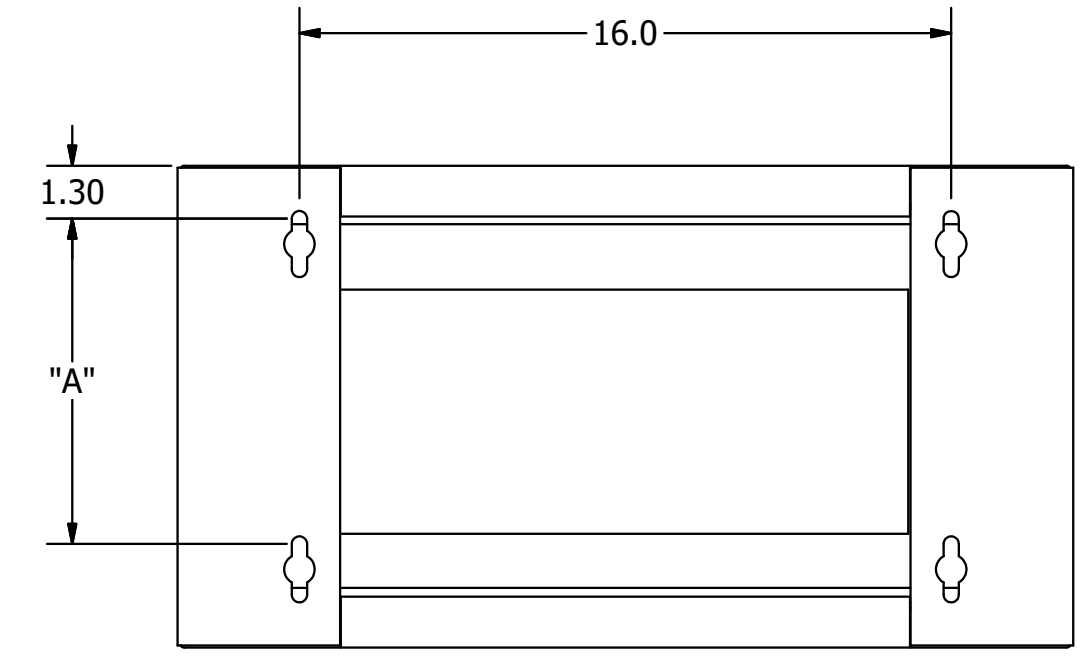
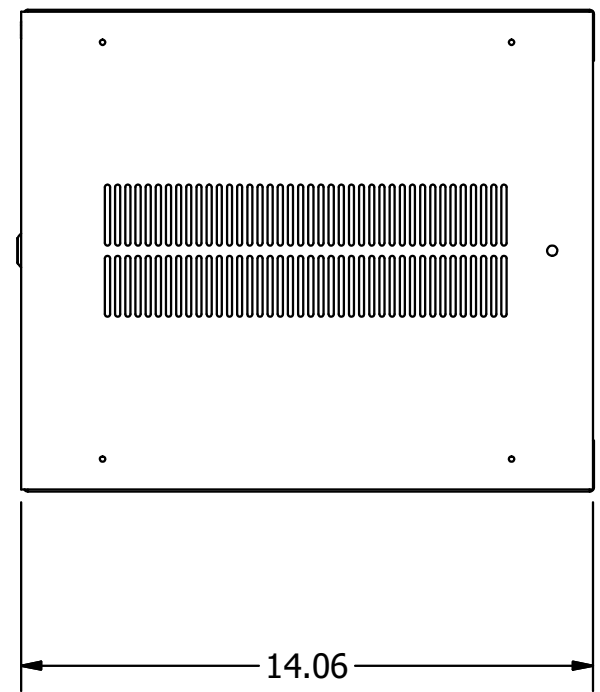
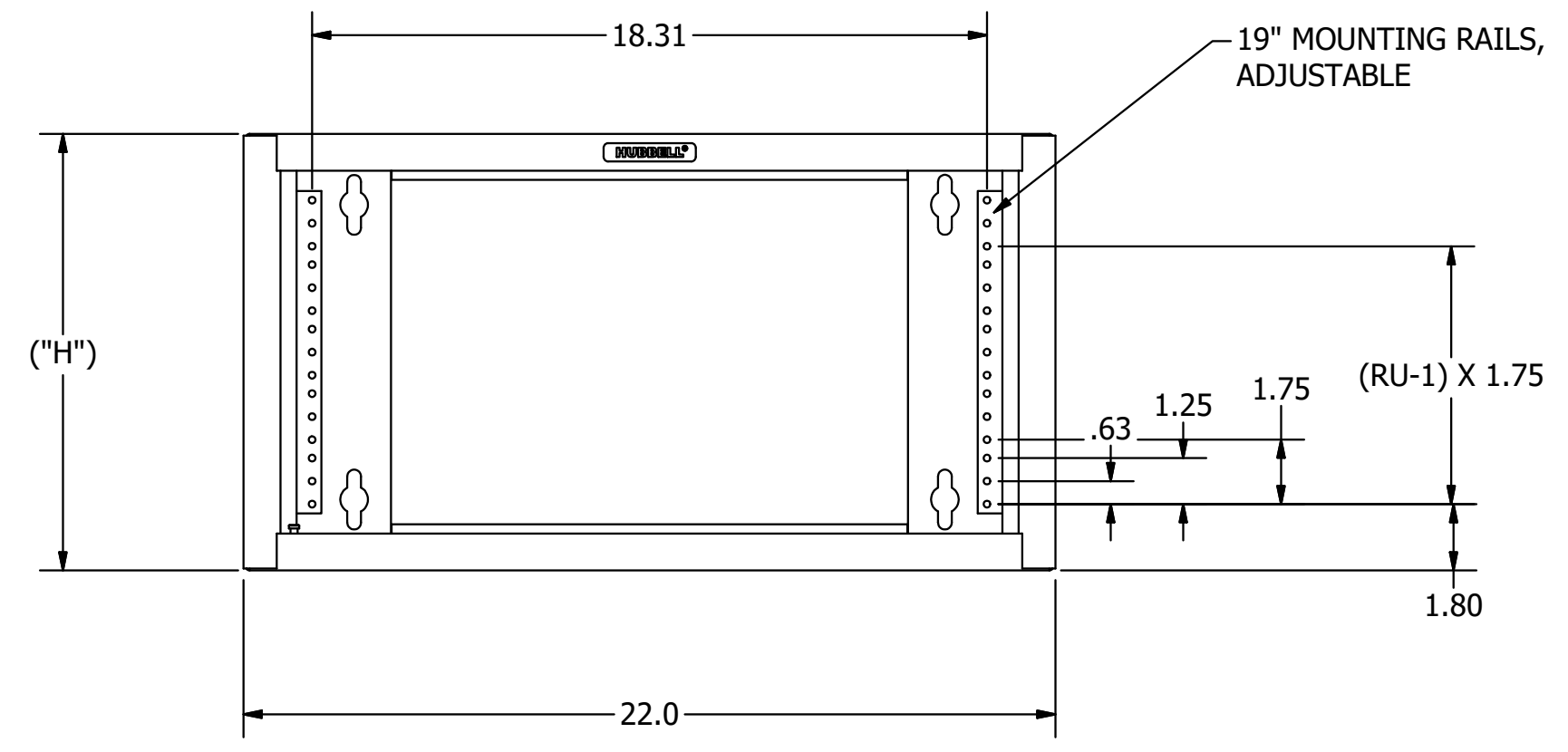


CATALOG NUMBER	DESCRIPTION	"H", HEIGHT	DOOR	RACK UNITS (RU)	DIM. "A"
HEQ12	QUADCAB,ECON,5U,14"D,MESH DR,BK	11.85	MESH	5	7.00
HEQ18	QUADCAB,ECON,8U,14"D,MESH DR,BK	17.10	MESH	8	12.25
HEQ24	QUADCAB,ECON,12U,14"D,MESH DR,BK	24.10	MESH	12	19.25
HEQ12S	QUADCAB,ECON,5U,14"D,SOLID DR,BK	11.85	SOLID	5	7.00
HEQ18S	QUADCAB,ECON,8U,14"D,SOLID DR,BK	17.10	SOLID	8	12.25
HEQ24S	QUADCAB,ECON,12U,14"D,SOLID DR,BK	24.10	SOLID	12	19.25

- NOTES:
- SURFACE FINISH: BLACK POWDER COAT
  - MATERIAL:  
BASE: 16 Ga CRS  
MOUNTING RAILS: 13 Ga CRS  
DOOR: 18 Ga CRS
  - ACCESSORY PACK INCLUDES:  
(20) #12-24 X 5/8 PHILIPS SCREWS  
(20) #12 NYLON WASHERS.
  - RECOMMENDED MOUNTING HARDWARE (NOT INCLUDED)  
WOOD STUDDED WALL WITH 3/4" PLYWOOD:  
(4) 3/8" X 2" LG LAG BOLT  
(4) 1" O.D. FLAT WASHER  
NOTE: DO NOT USE DRYWALL SCREWS OR TOGGLE BOLTS
  - SPECIFICATIONS SUBJECT TO CHANGE WITHOUT NOTICE.



(4) FAN MOUNTING PROVISION, ACCEPTS REK(E)F SOLD SEPARATELY



1	22454	06/07/17	INITIAL RELEASE	MMA	DO	Created on INVENTOR	DIMENSIONING AND TOLERANCE PER ANSI Y14.5M-1982 UNLESS OTHERWISE SPECIFIED, DIMENSIONS ARE IN INCHES (MM). TOLERANCES: .XX = ±.01 (.25) .XXX = ±.005 (.127) .XXXX = ±.0025 (.0635) ANGLE TOL ±1°	PROJECT REFERENCE: NPD-00041	<b>Hubbell Premise Wiring</b> HUBBELL INCORPORATED (Delaware) 23 CLARA DRIVE, SUITE 103 MYSTIC, CT 06355	
								MATERIAL: SEE NOTES		TITLE: WALL MOUNT ENCLOSURE
REV.	ECN	DATE	DESCRIPTION	CHG BY	APPD BY	IN ACCEPTING OUR DRAWINGS, BLUEPRINTS, OR SUPPORTING DOCUMENTATION FOR QUOTATION OR OTHER PURPOSES, YOU AGREE NOT TO DISCLOSE TO OTHERS THE IDEAS, INFORMATION, OR DESIGNS SHOWN HEREIN, AND THAT YOU WILL MAKE NO USE OF SAME WITHOUT PERMISSION	DRAWN BY: MABBY 05/30/17 CHECKED BY: APPROVED BY:	SIZE <b>C</b>	DRAWING NO. <b>HWS14742C</b>	REV. <b>1</b>
								SCALE: N/A	SHEET 1 OF 1	