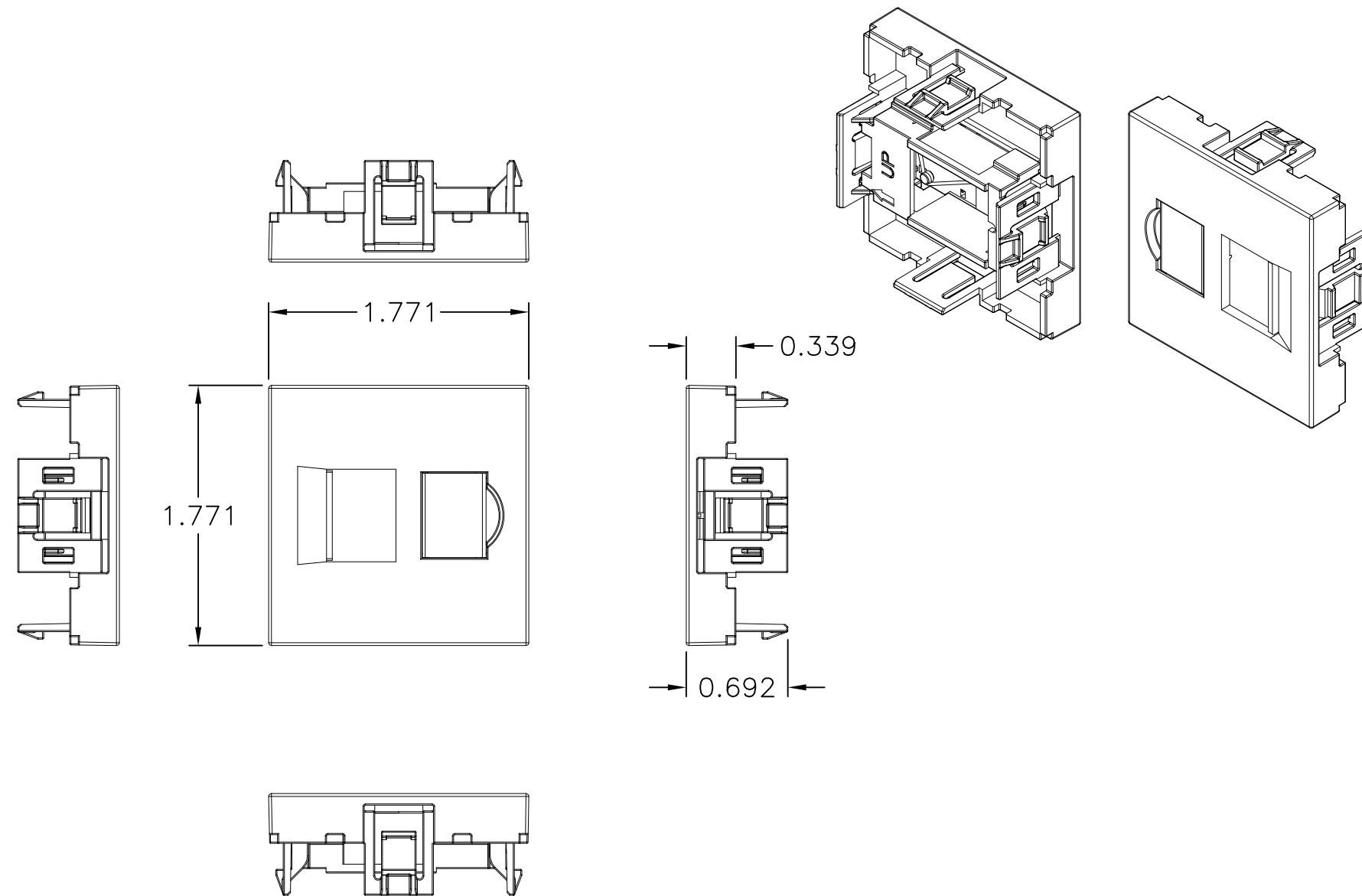



HFM1

1 PORT SHUTTERED FRENCH MODULE, WHITE



NOTES:

1. MATERIAL: ABS THERMOPLASTIC, WHITE
2. ACCEPTS HUBBELL XJ AND HJ JACKS.
3. SPECIFICATIONS SUBJECT TO CHANGE WITHOUT NOTICE.

Created on AUTOCAD	DIMENSIONING AND TOLERANCE PER ANSI Y14.5M-1982 UNLESS OTHERWISE SPECIFIED, DIMENSIONS ARE IN INCHES (MM). TOLERANCES .XX = ±.01 (.25) .XXX = ±.005 (.127) .XXXX = ±.0025 (.0635) ANGLE TOL ±1°		PROJECT REFERENCE: NPD-00208		 Hubbell Premise Wiring HUBBELL INCORPORATED (Delaware) 23 CLARA DRIVE, SUITE 103 MYSTIC, CT 06355		
	IN ACCEPTING OUR DRAWINGS, BLUEPRINTS, OR SUPPORTING DOCUMENTATION FOR QUOTATION OR OTHER PURPOSES, YOU AGREE NOT TO DISCLOSE TO OTHERS THE IDEAS, INFORMATION, OR DESIGNS SHOWN HEREIN, AND THAT YOU WILL MAKE NO USE OF SAME WITHOUT PERMISSION		MATERIAL: SEE NOTE 1			TITLE: 1 PORT, SHUTTERED, FRENCH MODULE	
			DRAWN BY: D.O'CONNOR 7/14/16		SIZE B	DRAWING NO. HWS14597C	REV. 1
			CHECKED BY:		SCALE: NTS		SHEET 1 OF 1
		APPROVED BY:					

1	21475	7/14/15	INITIAL RELEASE	DPO	MMA
REV.	ECN	DATE	DESCRIPTION	CHG BY	APPD BY