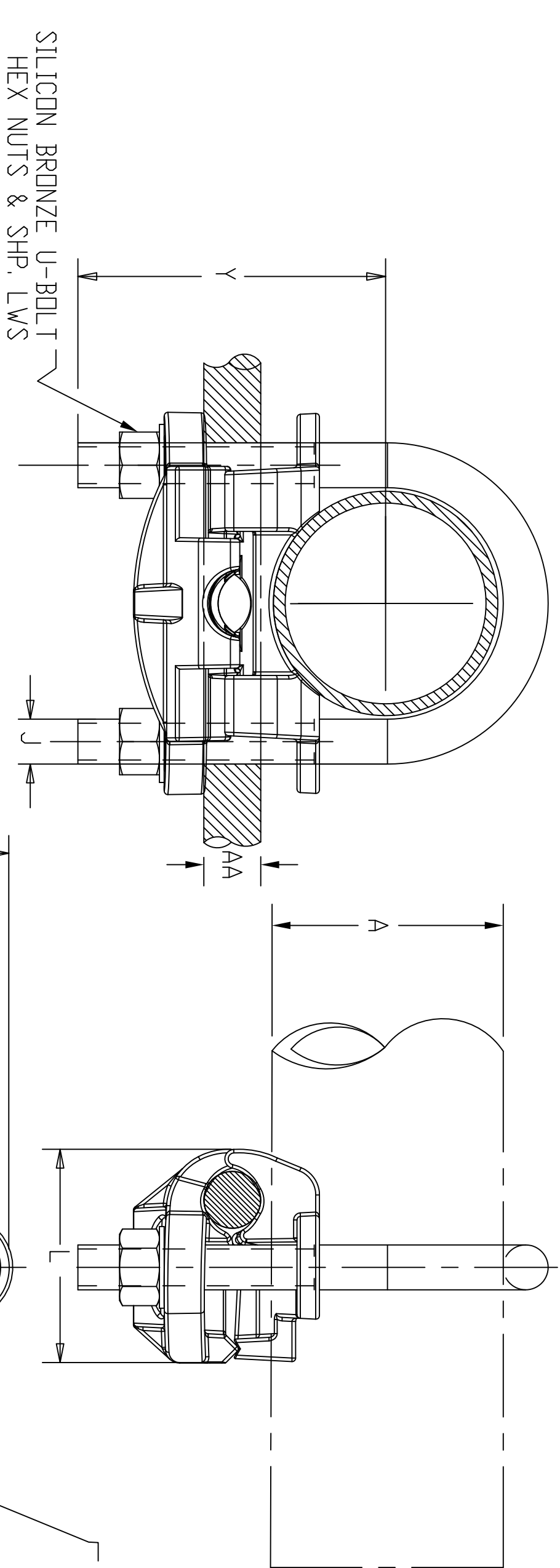


| CATALOG NUMBER | DESCRIPTION |
|----------------|-------------------|
| HGBGAR1526 | 1" PIPE CLAMP |
| HGBGAR1626 | 1 1/4" PIPE CLAMP |
| HGBGAR1726 | 1 1/2" PIPE CLAMP |
| HGBGAR1826 | 2" PIPE CLAMP |
| HGBGAR1926 | 2 1/2" PIPE CLAMP |
| HGBGAR2026 | 3" PIPE CLAMP |
| HGBGAR2126 | 4" PIPE CLAMP |
| HGBGAR2226 | 5" PIPE CLAMP |

| BURNODY CATALOG NUMBER | RDD ACCOMMODATED | | IP.S. PIPE ACCOMMODATED | | COPPER CONDUCTOR ACCOMMODATED | | METRIC WIRE SIZE | | B | Y | J | L | W | TORQUE | | | | | | | | | | | | |
|------------------------|-----------------------|----------------------|-------------------------|----------------------|-------------------------------|-------|------------------|---------|-------|-----------------------|-------|-----------------------|--------|--------|-------|------|------|------|-------|------|------|------|-------|-----|-----|------|
| | NOMINAL DIAMETER (in) | ACTUAL DIAMETER (in) | NOMINAL DIAMETER (in) | ACTUAL DIAMETER (in) | MIN | MAX | MIN | MAX | | | | | | Lb in | Nm | | | | | | | | | | | |
| | | | | | | | | | | | | | | | | SIZE | SIZE | SIZE | SIZE | | | | | | | |
| HGAR1526 | 1.120-1.31 | [283]-[333] | 1 | 1.315 | [333] | 4 sol | 0.204 | 2/0 str | 0.419 | 25mm ² str | [6.5] | 70mm ² str | [10.9] | 1.75 | [44] | 2.31 | [59] | 3/8 | [101] | 1.56 | [40] | 2.62 | [67] | 244 | 240 | 27.0 |
| GAR1626 | 1.380-1.66 | [35]-[42] | 1 1/4 | 1.660 | [42] | 4 sol | 0.204 | 2/0 str | 0.419 | 25mm ² str | [6.5] | 70mm ² str | [10.9] | 1.88 | [48] | 2.31 | [59] | 3/8 | [101] | 1.56 | [40] | 3.00 | [76] | 204 | 240 | 27.0 |
| GAR1726 | 1.620-1.90 | [41]-[48] | 1 1/2 | 1.900 | [48] | 4 sol | 0.204 | 2/0 str | 0.419 | 25mm ² str | [6.5] | 70mm ² str | [10.9] | 2.31 | [59] | 2.69 | [68] | 3/8 | [101] | 1.56 | [40] | 3.25 | [83] | 268 | 240 | 27.0 |
| GAR1826 | 2.000-2.38 | [51]-[60] | 2 | 2.375 | [60] | 4 sol | 0.204 | 2/0 str | 0.419 | 25mm ² str | [6.5] | 70mm ² str | [10.9] | 2.75 | [70] | 2.62 | [67] | 3/8 | [101] | 1.56 | [40] | 3.69 | [94] | 257 | 240 | 27.0 |
| GAR1926 | 2.500-2.88 | [64]-[73] | 2 1/2 | 2.875 | [73] | 4 sol | 0.204 | 2/0 str | 0.419 | 25mm ² str | [6.5] | 70mm ² str | [10.9] | 3.25 | [83] | 3.19 | [81] | 3/8 | [101] | 1.56 | [40] | 4.19 | [106] | 266 | 240 | 27.0 |
| GAR2026 | 3.000-3.50 | [76]-[89] | 3 | 3.500 | [89] | 4 sol | 0.204 | 2/0 str | 0.419 | 25mm ² str | [6.5] | 70mm ² str | [10.9] | 3.50 | [89] | 3.44 | [87] | 3/8 | [101] | 1.56 | [40] | 4.81 | [122] | 267 | 240 | 27.0 |
| GAR2126 | 3.500-4.00 | [89]-[102] | 3 1/2 | 4.000 | [102] | 4 sol | 0.204 | 2/0 str | 0.419 | 25mm ² str | [6.5] | 70mm ² str | [10.9] | 4.44 | [113] | 3.81 | [97] | 3/8 | [101] | 1.56 | [40] | 5.31 | [135] | 264 | 240 | 27.0 |
| GAR2226 | 4.000-4.50 | [102]-[114] | 4 | 4.500 | [114] | 4 sol | 0.204 | 2/0 str | 0.419 | 25mm ² str | [6.5] | 70mm ² str | [10.9] | 4.94 | [126] | 3.75 | [95] | 3/8 | [101] | 1.56 | [40] | 5.81 | [148] | 261 | 240 | 27.0 |



- NOTES:
- SPECIFICATIONS SUBJECT TO CHANGE WITHOUT NOTICE
 - UL 467 LISTED, ACCEPTABLE FOR DIRECT BURIAL IN EARTH AND CONCRETE, CSA CERTIFIED.

| REV. | ECN | DATE | DESCRIPTION | CHG BY | APPD BY |
|------|-------|----------|---------------------------------|--------|---------|
| 2 | 18024 | 12/10/12 | ADDED TWO MORE CATALOG NUMBERS. | MMA | |

Created on AUTOCAD

DIMENSIONING AND TOLERANCE PER ANSI Y14.5M-1982 UNLESS OTHERWISE SPECIFIED. DIMENSIONS ARE IN INCHES (MM). TOLERANCES: X = ±.03 (B) XX = ±.02 (A) XXX = ±.01 (A) ANGLE TO .1°

IN ACCEPTING OUR DRAWINGS, BLUEPRINTS, OR SUPPORTING DOCUMENTATION FOR QUOTATION OR OTHER PURPOSES, YOU AGREE NOT TO DISCLOSE TO OTHERS THE DESIGN OR INVENTION OR DESIGN SHOWN HEREIN, AND THAT YOU WILL MAKE NO USE OF SAME WITHOUT PERMISSION

PROJECT REFERENCE: 2011-041

MATERIAL: CAST COPPER ALLOY FINISH: BRIGHT DIPPED

DRAWN BY: C. GRIBBLE 3/1/12

CHECKED BY:

APPROVED BY:

HUBBELL
Hubbell Premise Wiring
HUBBELL INCORPORATED (Delaware)
14 Lord's Hill Road, Stonington, Connecticut 06378

TITLE: PIPE CLAMP

SIZE: D DRAWING NO. HWS14025C

SCALE: 1/1 SHEET 1 OF 1

REV. 2