

ITEM NO.	DESCRIPTION	QTY.
1	COMPRESSION LUG	25

CATALOG #	CONDUCTOR	BOLT SIZE	FIG. NO.	DIMENSIONS								INSTALLATION TOOLING (# CRIMPS)								
				B ±.06	C ±.04	H REF.	K DIA. ±.02	L ±.09	N ±.04	D.D. ±.01	T REF.	Z MIN.	DIE INDEX	COLOR CODE	MECHANICAL	HYDRAULIC	DIELESS (# CRIMPS)	WIRE STRIP LENGTH		
HGBL02S	#2 AWG. [-----]	1/4 [M6]	1	1.25 [32]	.60 [15]	--	.27 [7]	2.21 [56]	.31 [8]	.42 [11]	.11 [3]	.33 [8]	10	BRWN	HMRC840 HM2CRT (2)	HUR840 HM2CRT (2)	HPAT600 HM2CRT (2)	HY750, HPAT750 HU2CRT (2) HU2CRTW (1)	HM2911 (1)	1-5/16
HGBL02SF	#2 AWG. [-----]	1/4 [M6]	2	1.25 [32]	.60 [15]	1.42 [36]	.27 [7]	2.01 [51]	.31 [8]	.42 [11]	.11 [3]	.33 [8]	10	BRDWN	HM2CVT HM2CRT (2)	HM2CVT HM2CRT (2)	HM2CVT HM2CRT (2)	HU2CRT (2) HU2CRT (2)	HM2911 (1)	1-5/16

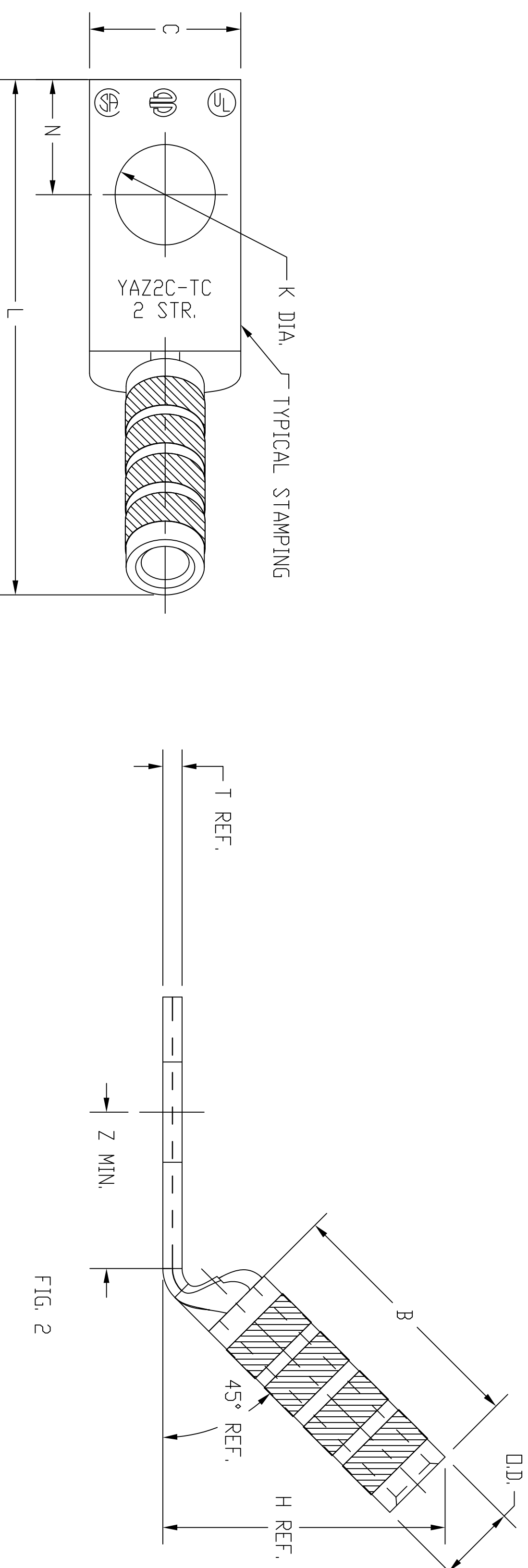


FIG. 2

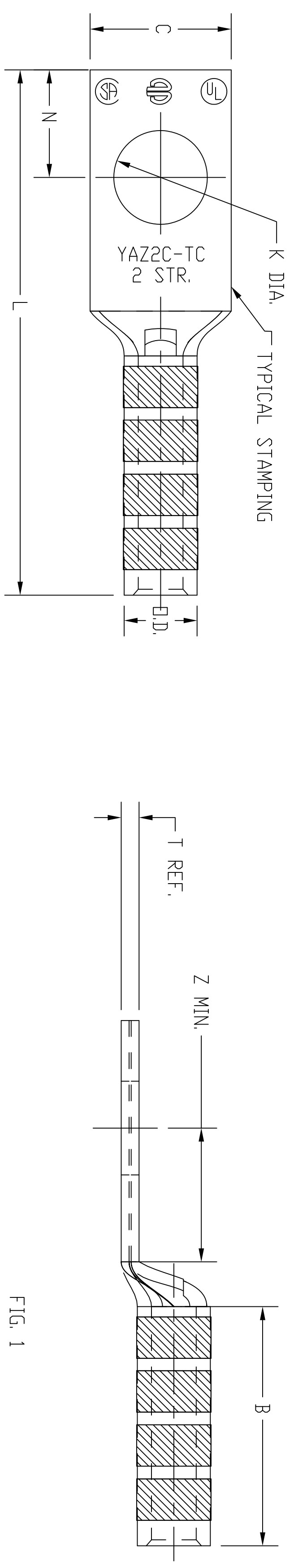


FIG. 1

- NOTES:
- NAVY CABLE SIZE MAY BE OMITTED ON SOME SIZES BECAUSE OF SPACE LIMITATIONS.
  - SPECIFICATIONS SUBJECT TO CHANGE WITHOUT NOTICE.

REV.	EON	DATE	DESCRIPTION	CHK BY	APPD BY
2	17987	8/31/12	ADDED HGBL02SF	CG	

Created on AUTOCAD

DIMENSIONING AND TOLERANCE PER ANSI Y14.5M-1982 UNLESS OTHERWISE SPECIFIED. DIMENSIONS ARE IN INCHES (MM). TOLERANCES: .XX = ±.01 (.25) .XXX = ±.005 (.125) ANGLE TO .1°

IN ACCEPTING OUR DRAWINGS, BLUEPRINTS, OR SUPPORTING DOCUMENTATION FOR QUOTATION OR OTHER PURPOSES, YOU AGREE NOT TO DISCLOSE TO OTHERS THE INFORMATION CONTAINED IN THESE DESIGNS SHOWN HEREIN, AND THAT YOU WILL MAKE NO USE OF SAME WITHOUT PERMISSION.

PROJECT REFERENCE: 2011-041

MATERIAL: TIN PLATED COPPER

DRAWN BY: C. GRIBBLE 4/18/12

CHECKED BY:

APPROVED BY:

HUBBELL  
Hubbell Premise Wiring  
HUBBELL INCORPORATED (Delaware)  
14 Lord's Hill Road, Stirlington, Connecticut 06378

TITLE#2 AWG COPPER COMPRESSION LUG, LONG BARRELL  
SINGLE HOLE, 0.250" HOLE SIZE

SIZE D DRAWING NO. HWS777073C REV. 2

SCALE: 1/1 SHEET 1 OF 1