

ITEM NO.	DESCRIPTION	QTY.
1	COMPRESSION LUG	25

CONDUCTOR	BOLT SIZE	FIG. NDI.	DIMENSIONS											INSTALLATION TOOLING (# CRIMPS)									
			B ±.06	C ±.04	H REF.	K DIA. ±.02	L ±.09	N ±.04	D.D. ±.01	T REF. [31]	Z MIN. [11]	DIE INDEX	COLDR CODE	MECHANICAL		HYDRAULIC		DIELESS (# CRIMPS)		WIRE STRIP LENGTH			
HPV CATALOG NDI	CODE (AWG)	NAVY																					
HGBL10S	1/0 AWG, [-----]	100	1/4 [M6]	1	1.38 [35]	.75 [9]	--	.27 [7]	2.40 [61]	.31 [8]	.51 [12]	.12 [3]	.33 [8]	12 DR 348	PINK	12 (4)	HMRC840	HOUR840	HPAT600	HY750, HPAT750	HU25RT (2), HU25RTW (1)	HMV2911 (1)	1-7/16
HGBL10SA	1/0 AWG, [-----]	100	3/8 [M10]	1	1.38 [35]	.75 [9]	--	.40 [10]	2.59 [66]	.41 [10]	.51 [12]	.12 [3]	.42 [11]	12 DR 348	PINK	12 (4)	HM25RT (4)	HM25VT (4)	HPAT600	HY750, HPAT750	HU25RT (2), HU25RTW (1), HU25RTW (1)	HMV2911 (1)	1-7/16

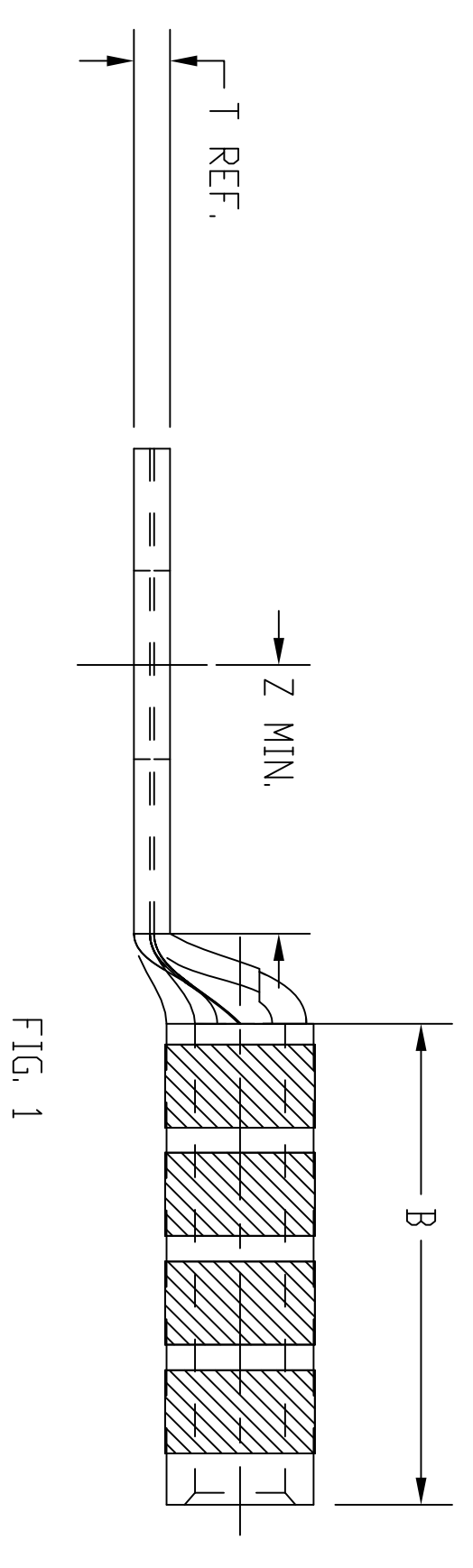
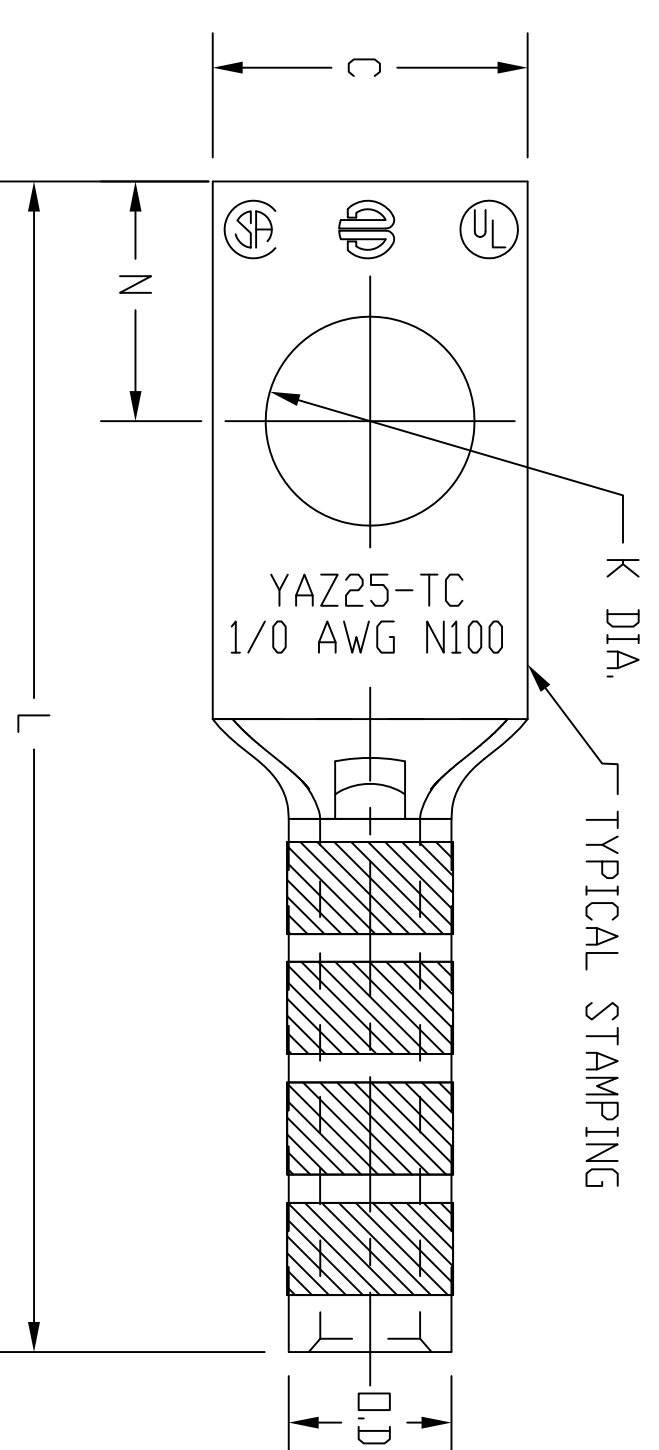


FIG. 1

- NOTES:
 1. NAVY CABLE SIZE MAY BE OMITTED ON SOME SIZES BECAUSE OF SPACE LIMITATIONS.
 2. SPECIFICATIONS SUBJECT TO CHANGE WITHOUT NOTICE.

REV.	EON	DATE	DESCRIPTION	CHK BY	APPD BY
1	17862	4/18/12	INITIAL RELEASE	CG	

Created on AUTOCAD	DIMENSIONING AND TOLERANCE PER ANSI Y14.5M-1982 UNLESS OTHERWISE SPECIFIED, DIMENSIONS ARE IN INCHES (MM). TOLERANCES XX = ±.01 (25) XXX = ±.005 (128) ANGLE TO .1°	PROJECT REFERENCE: 2011-041	MATERIAL: TIN PLATED COPPER	DRAWN BY: C. GRIBBLE 4/18/12	CHECKED BY:	APPROVED BY:			
IN ACCEPTING OUR DRAWINGS, BLUEPRINTS, OR SUPPORTING DOCUMENTATION FOR QUOTATION OR OTHER PURPOSES, YOU AGREE NOT TO DISCLOSE TO OTHERS THE DESIGN OR INVENTION DESIGNS SHOWN HEREIN, AND THAT YOU WILL MAKE NO USE OF SAME WITHOUT PERMISSION		HUBBELL Hubbell Premise Wiring HUBBELL INCORPORATED (Delaware) 14 Lord's Hill Road, Stonington, Connecticut 06378		TITLE: 1/0 COPPER COMPRESSION LUG, LONG BARRELL SINGLE HOLE, 0.250" HOLE SIZE & 0.375" HOLE SIZE		SIZE: DRAWING NO. HWS777076C	SCALE: 1/1	SHEET 1 OF 1	REV. 1