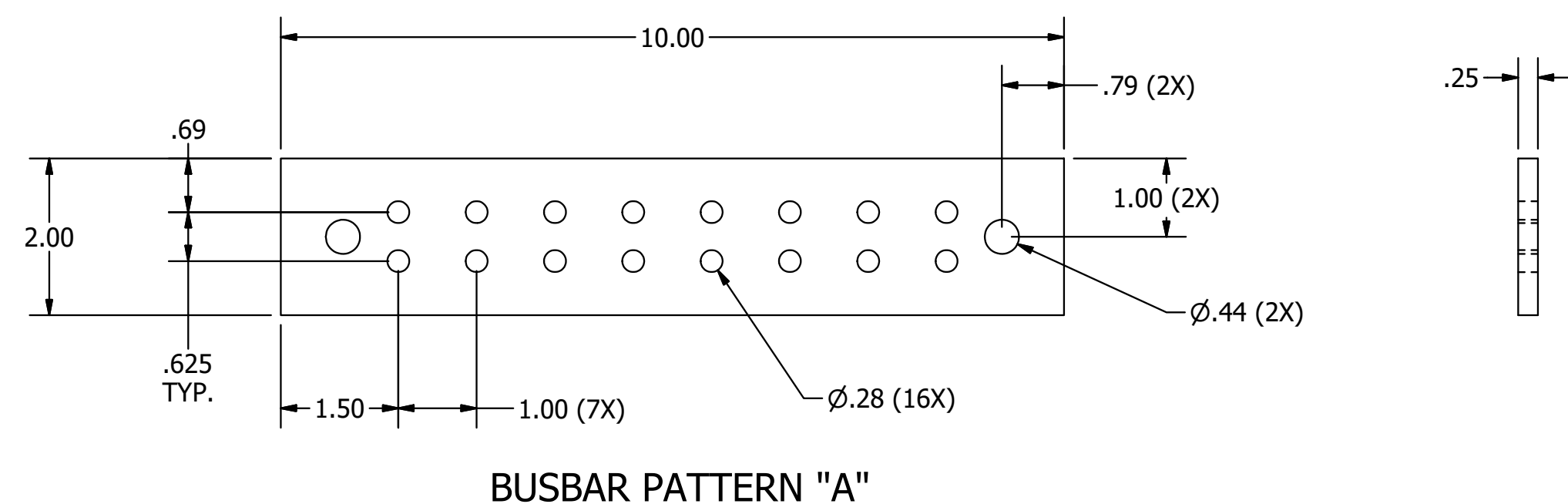
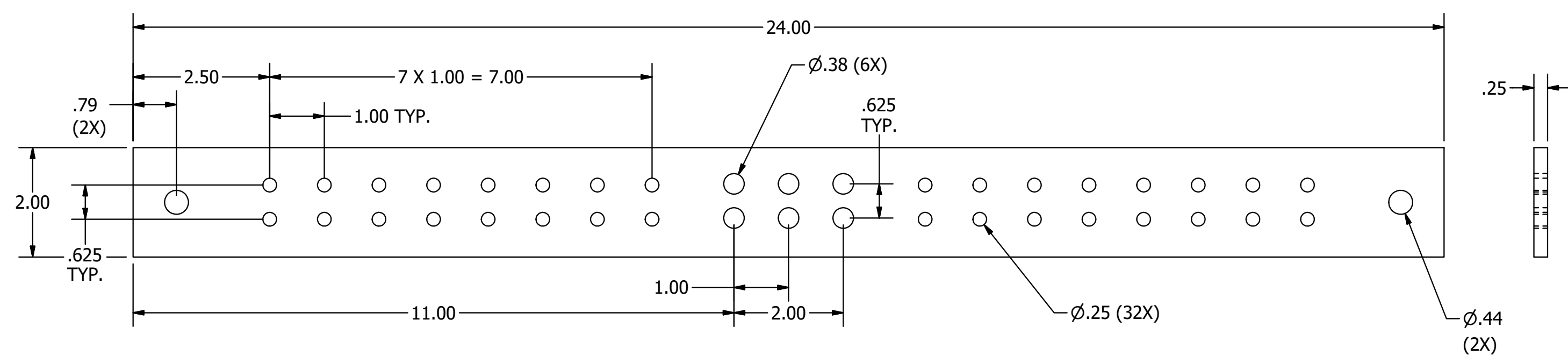


HPW CATALOG #	DESCRIPTION	FINISH	BUSBAR PATTERN	"N" QTY
HBBB14210A	2"W X 10"L X 1/4"THK COPPER BUSBAR, 8D	BARE COPPER	"A"	N/A
HBBB14224B	2"W X 24"L X 1/4"THK COPPER BUSBAR, 9D, 9DA	BARE COPPER	"B"	N/A
HBBB14210ATP	2"W X 10"L X 1/4"THK COPPER BUSBAR, 8D, TP	TIN PLATED	"A"	N/A
HBBB14224BTP	2"W X 24"L X 1/4"THK COPPER BUSBAR, 9D, 9DA, TP	TIN PLATED	"B"	N/A
HGRKTTGB10A	2"W X 10"L X 1/4"THK COPPER BUSBAR, 9 LUGS INCLUDED	BARE COPPER	"A"	1
HBBB14212	2"W X 12"L X 1/4"THK COPPER BUSBAR, 6D, 3DB	BARE COPPER	"C"	N/A
HBBB14212TP	2"W X 12"L X 1/4"THK COPPER BUSBAR, 6D, 3DB, TP	TIN PLATED	"C"	N/A

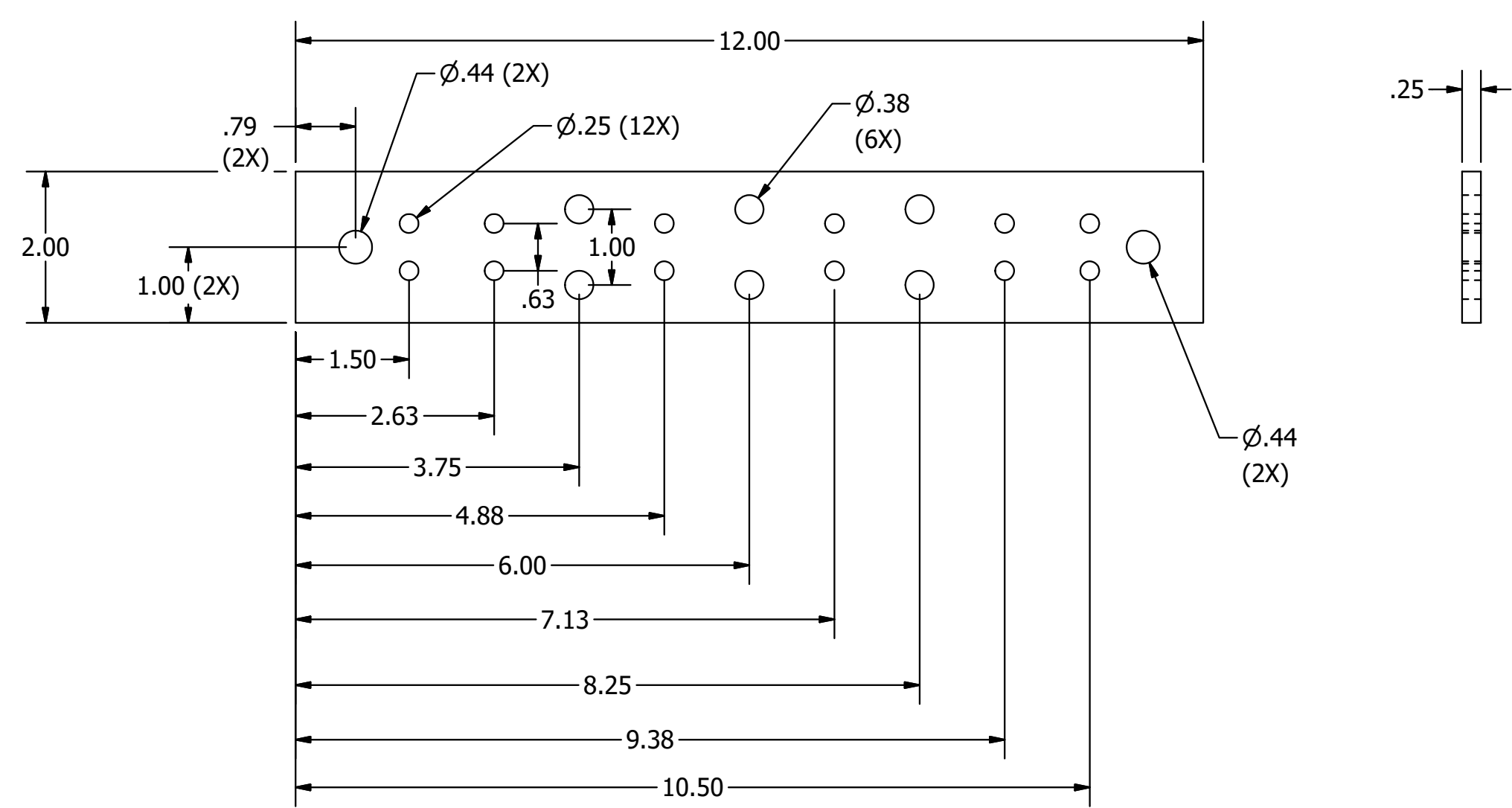
ITEM	DESCRIPTION	QTY
1	BUSBAR	1
2	ISOLATION BUSHING	2
3	MOUNTING BRACKET, ST STEEL	2
4	3/8-16 X 5/8" BUTTON HEAD SOCKET CAP SCREW SS	4
5	KIT, 9 LUGS WITH HDW (NOT SHOWN)	"N"



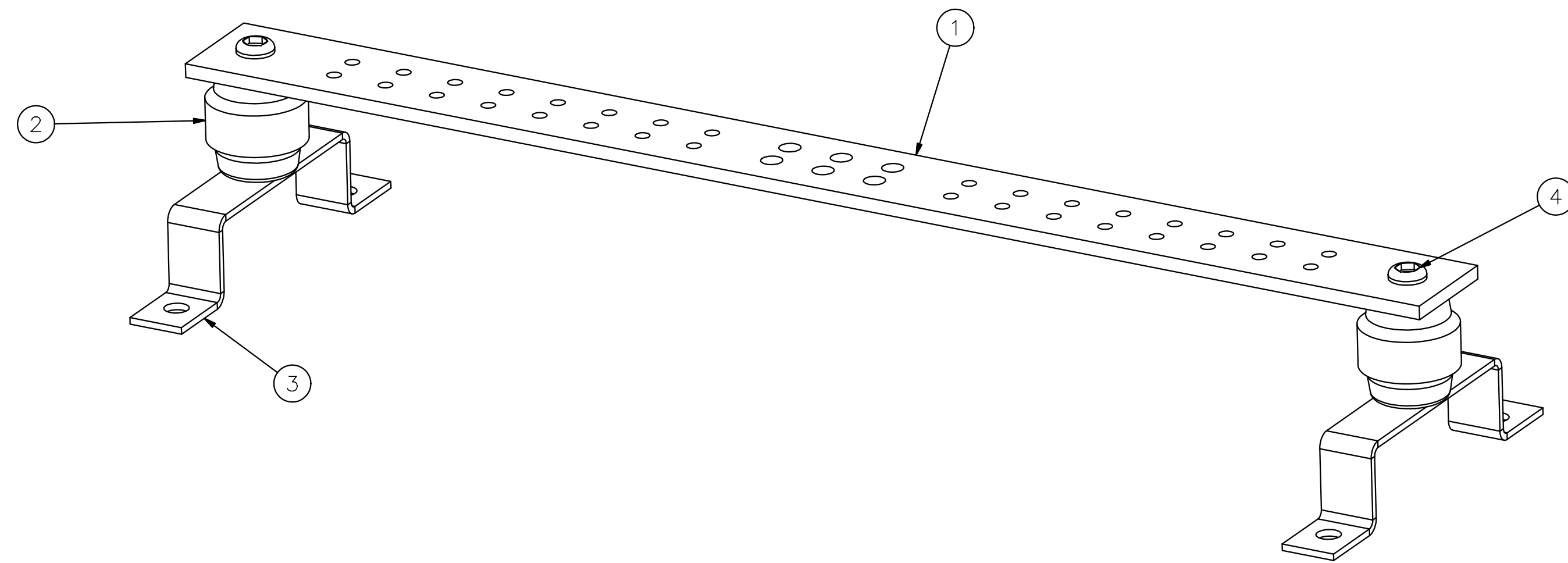
BUSBAR PATTERN "A"



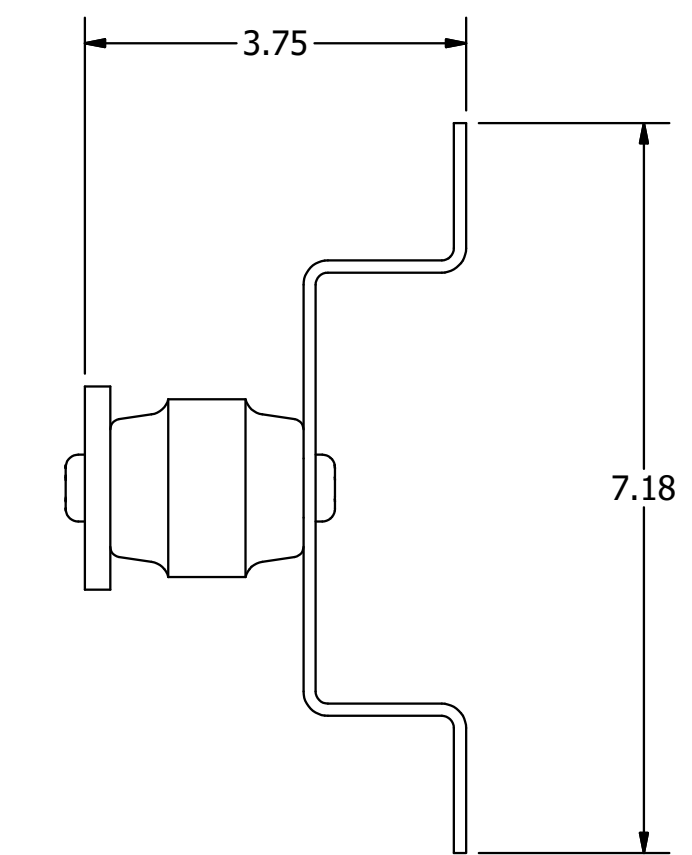
BUSBAR PATTERN "B"



BUSBAR PATTERN "C"



NOTES:  
1. SPECIFICATIONS ARE SUBJECT TO CHANGE WITHOUT NOTICE.



REV.	ECN	DATE	DESCRIPTION	CHG BY	APPD BY
4	22443	6/9/17	ADDED NEW VERSIONS	MMA	DO

Created on INVENTOR	DIMENSIONING AND TOLERANCE PER ANSI Y14.5M-1982 UNLESS OTHERWISE SPECIFIED, DIMENSIONS ARE IN INCHES (MM). TOLERANCES: .XX = ±.01 (.25) .XXX = ±.005 (.127) .XXXX = ±.0025 (.0635) ANGLE TOL ±1°		PROJECT REFERENCE: 2011-041	<b>Hubbell Premise Wiring</b> HUBBELL INCORPORATED (Delaware) 14 Lord's Hill Road, Stonington, Connecticut 06378	
	IN ACCEPTING OUR DRAWINGS, BLUEPRINTS, OR SUPPORTING DOCUMENTATION FOR QUOTATION OR OTHER PURPOSES, YOU AGREE NOT TO DISCLOSE TO OTHERS THE IDEAS, INFORMATION, OR DESIGNS SHOWN HEREIN, AND THAT YOU WILL MAKE NO USE OF SAME WITHOUT PERMISSION		MATERIAL: SEE TABLE		TITLE: 2" WIDE GROUNDING BUSBAR
	DRAWN BY: C. GRIBBLE 5/23/12		CHECKED BY:	SCALE: N/A	SIZE: D
	APPROVED BY:		APPROVED BY:	SHEET 1 OF 1	DRAWING NO. <b>HWS13029C</b>

4