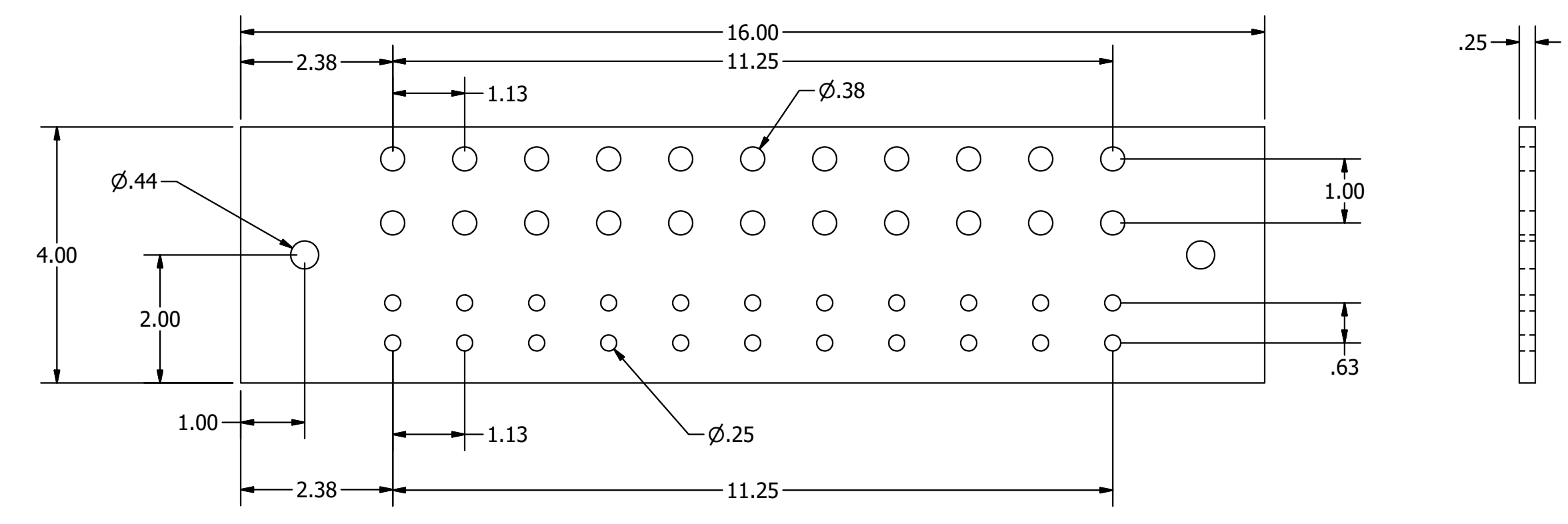


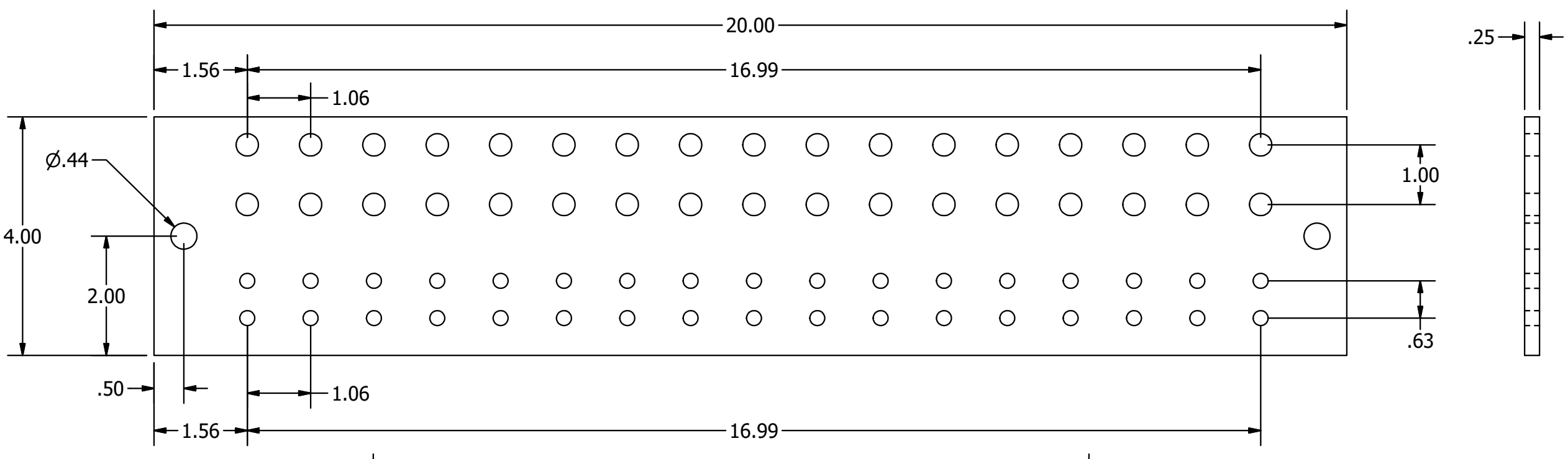
HPW CATALOG #	DESCRIPTION	FINISH	PATTERN	"N" QTY
HBBB14416H	BUSBAR, 4"x16", 8DA, 8DB, INSLTR	BARE COPPER	"A"	N/A
HBBB14420J	BUSBAR, 4"x20", 17DA, 17DB, INSLTR	BARE COPPER	"B"	N/A
HBBB14416HTP	BUSBAR, 4"x16", 8DA, 8DB, INSLTR, TIN PLATED	TIN PLATED	"A"	N/A
HBBB14420JTP	BUSBAR, 4"x20", 17DA, 17DB, INSLTR	TIN PLATED	"B"	N/A
HGRKTTMGB16H	TMGB BB KIT, 4x16H, 10 LUGS 6,2,2/0,4/0	BARE COPPER	"A"	1
HBBB14412	BUSBAR, 4"x12", 15D, 3DB, INSLTR	BARE COPPER	"C"	N/A
HBBB14412TP	BUSBAR, 4"x12", 15D, 3DB, INSLTR, TIN PLATED	TIN PLATED	"C"	N/A
HBBB14420	BUSBAR, 4"x20", 25D, 5DB, INSLTR	BARE COPPER	"D"	N/A
HBBB14420TP	BUSBAR, 4"x20", 25D, 5DB, INSLTR, TIN PLATED	TIN PLATED	"D"	N/A

ITEM	DESCRIPTION	QTY
1	BUSBAR	1
2	ISOLATION BUSHING	2
3	MOUNTING BRACKET, ST STEEL	2
4	3/8-16 X 5/8" BUTTON HEAD SOCKET CAP SCREW SS	4
5	KIT, 10 LUGS WITH HDW (NOT SHOWN)	"N"

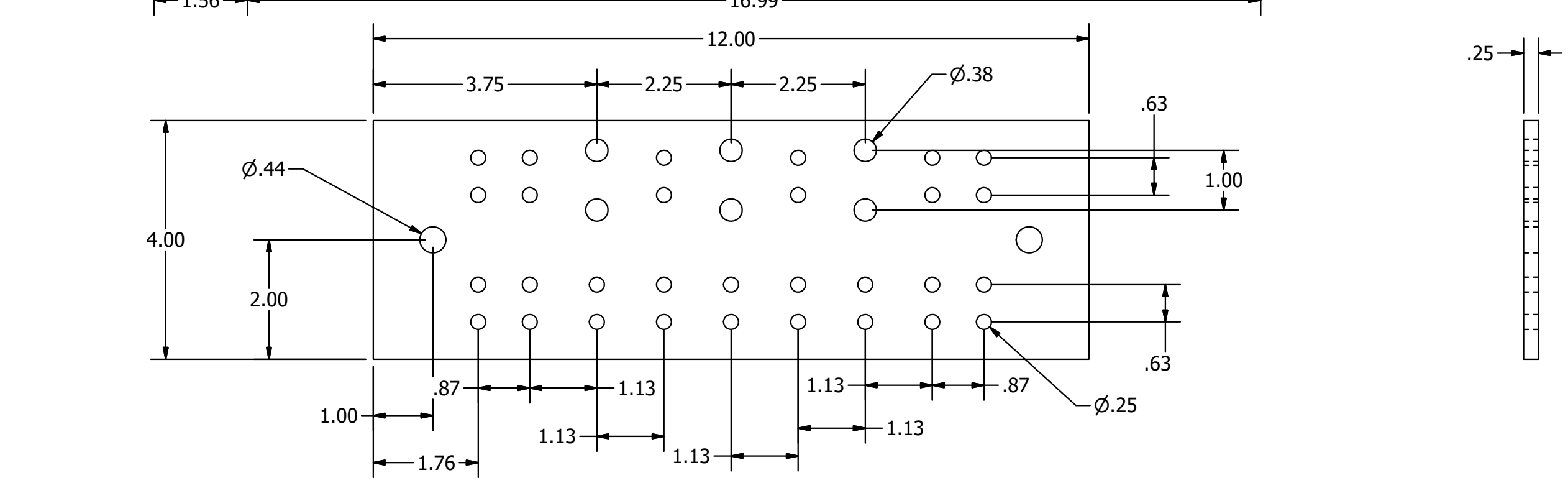
PATTERN "A"



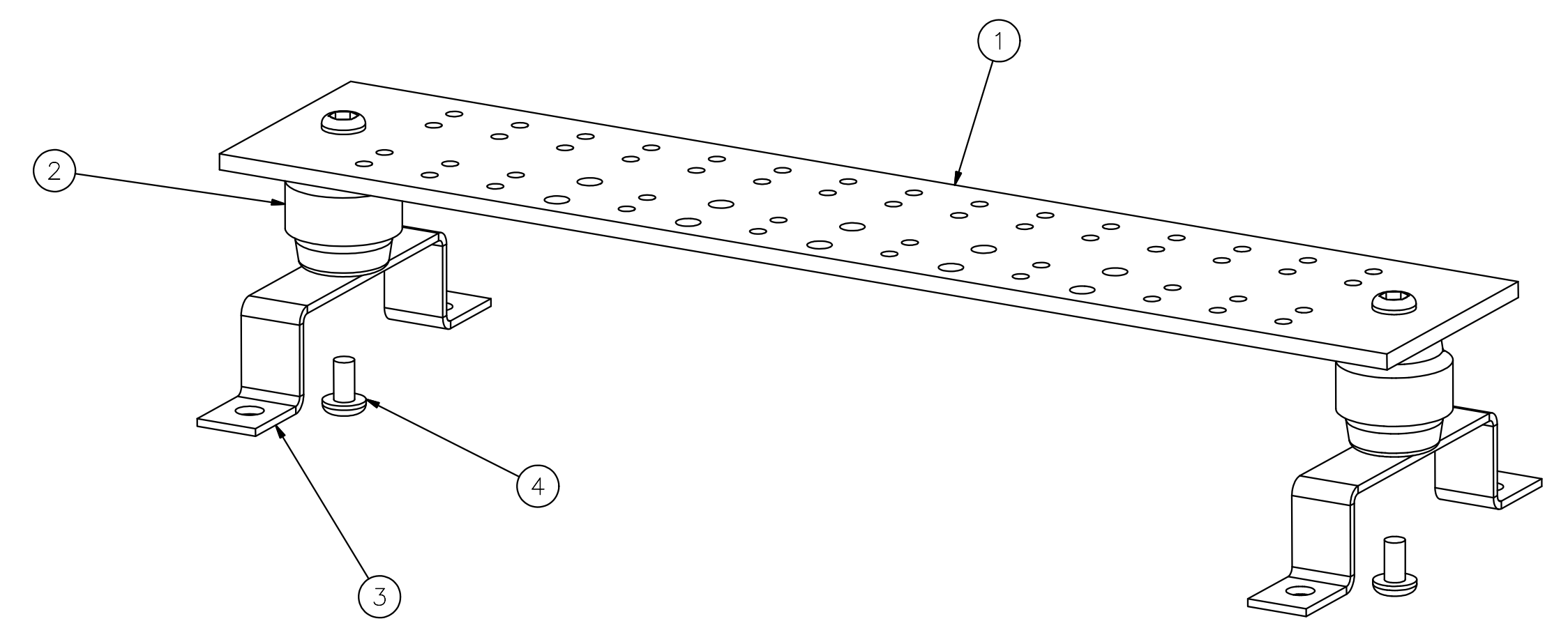
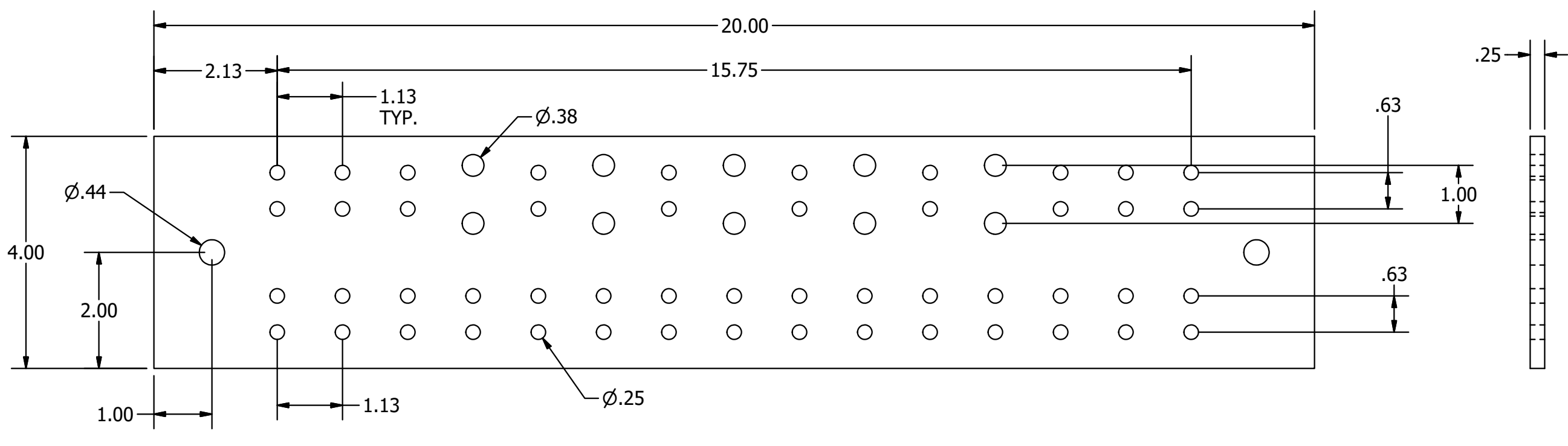
PATTERN "B"



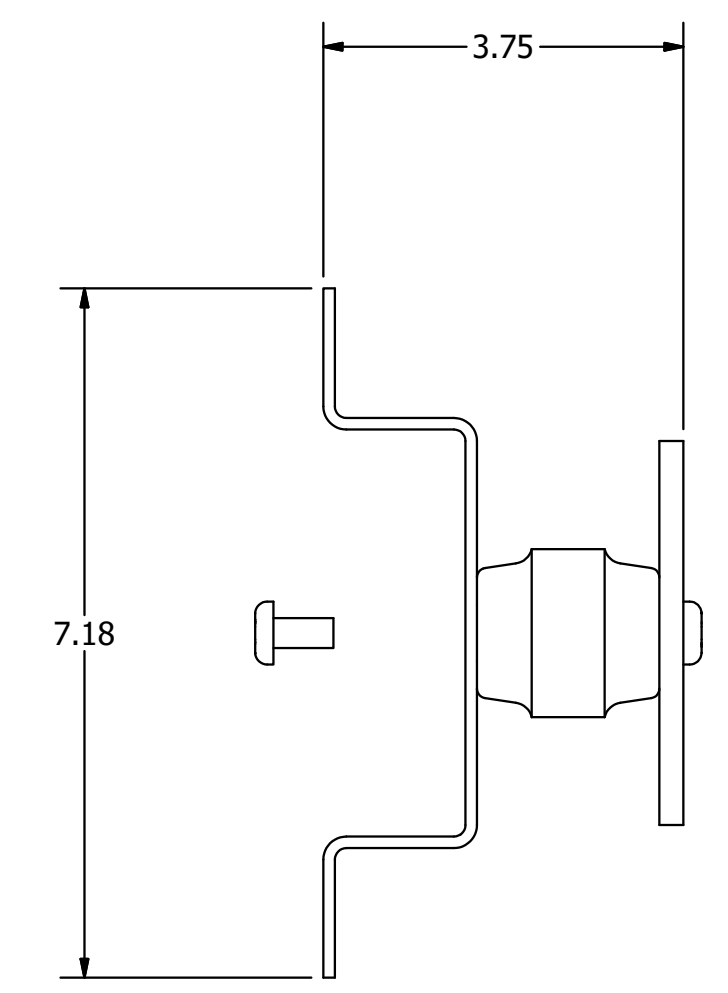
PATTERN "C"



PATTERN "D"



NOTES:
1. SPECIFICATIONS ARE SUBJECT TO CHANGE WITHOUT NOTICE.



REV.	ECN	DATE	DESCRIPTION	CHG BY	APPD BY
3	22443	6/9/17	ADDED MORE VERSIONS	MMA	DO

Created on INVENTOR	DIMENSIONING AND TOLERANCE PER ANSI Y14.5M-1982. UNLESS OTHERWISE SPECIFIED, DIMENSIONS ARE IN INCHES (MM). TOLERANCES: .XX = ±.01 (.25), .XXX = ±.005 (.127), .XXXX = ±.0025 (.0635), ANGLE TOL ±1°		PROJECT REFERENCE: 2011-041		Hubbell Premise Wiring HUBBELL INCORPORATED (Delaware) 14 Lord's Hill Road, Stonington, Connecticut 06378
	IN ACCEPTING OUR DRAWINGS, BLUEPRINTS, OR SUPPORTING DOCUMENTATION FOR QUOTATION OR OTHER PURPOSES, YOU AGREE NOT TO DISCLOSE TO OTHERS THE IDEAS, INFORMATION, OR DESIGNS SHOWN HEREIN, AND THAT YOU WILL MAKE NO USE OF SAME WITHOUT PERMISSION		MATERIAL: SEE TABLE		
	DRAWN BY: C. GRIBBLE 5/23/12		CHECKED BY:		SIZE: D
	APPROVED BY:		DRAWING NO. HWS13030C		REV. 3
SCALE: N/A		SHEET 1 OF 1			