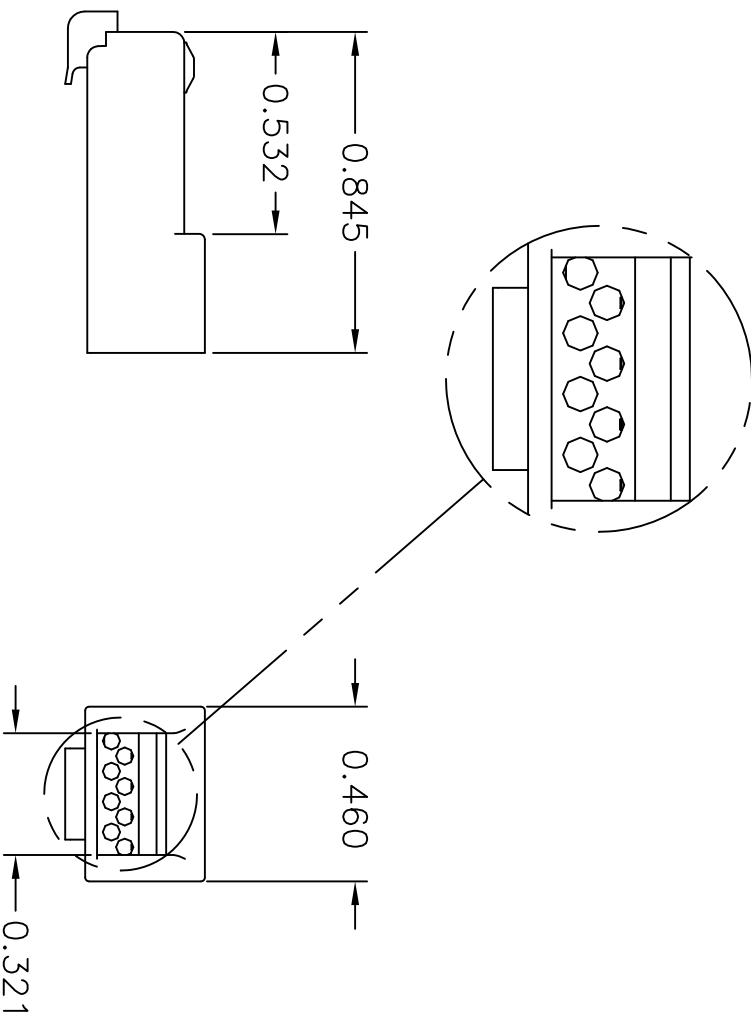
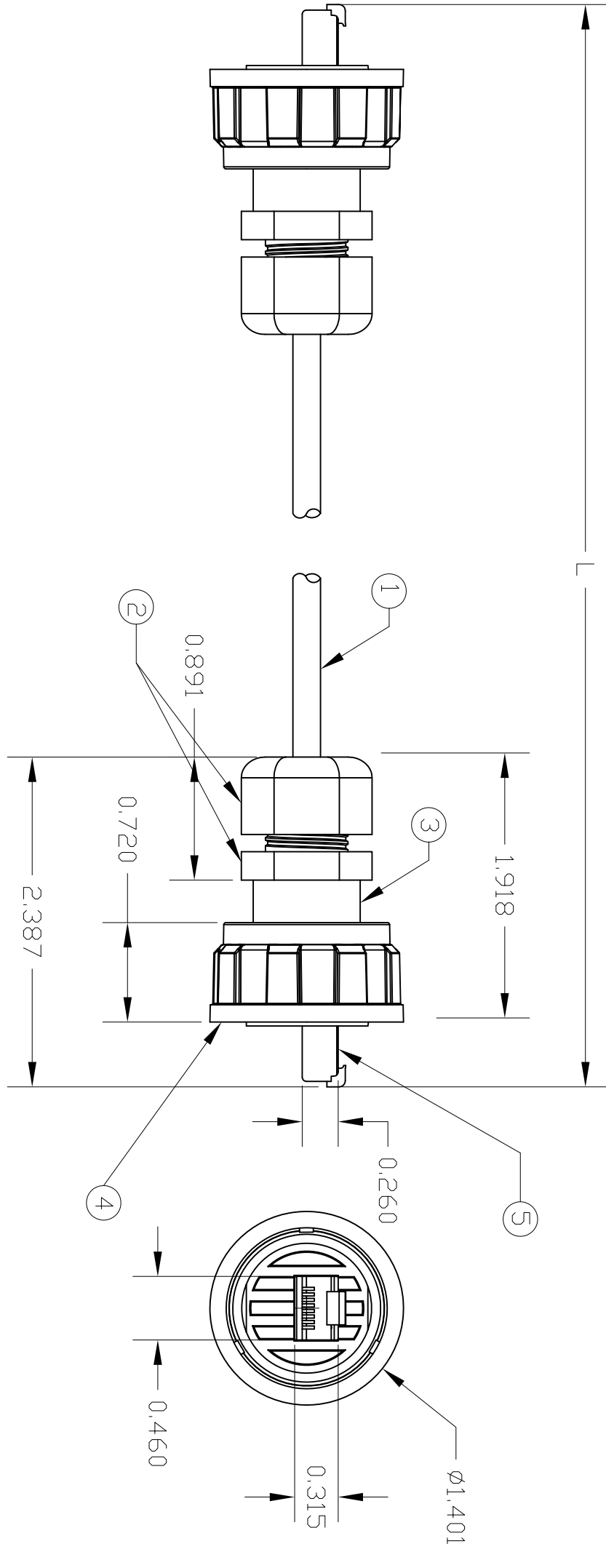


ITEM NO.	DESCRIPTION	QTY.
1	IE PATCH CABLE	1
2	HUBBELL CORD CONNECTOR	2
3	PLUG HOUSING	2
4	QUICK NUT	2
5	STD. HUBBELL PLUG W/O LATCH	2

CATALOG NUMBER	COLOR	DESCRIPTION	"L" FT.
HI603EE	BLACK	PATCH CABLE ASSEMBLY	3
HI605EE	BLACK	PATCH CABLE ASSEMBLY	5
HI607EE	BLACK	PATCH CABLE ASSEMBLY	7
HI610EE	BLACK	PATCH CABLE ASSEMBLY	10
HI615EE	BLACK	PATCH CABLE ASSEMBLY	15
HI620EE	BLACK	PATCH CABLE ASSEMBLY	20
HI625EE	BLACK	PATCH CABLE ASSEMBLY	25
HI630EE	BLACK	PATCH CABLE ASSEMBLY	30
HI635EE	BLACK	PATCH CABLE ASSEMBLY	35
HI640EE	BLACK	PATCH CABLE ASSEMBLY	40
HI645EE	BLACK	PATCH CABLE ASSEMBLY	45
HI650EE	BLACK	PATCH CABLE ASSEMBLY	50



PLUG DETAIL
SCALE 2/1



NOTES:

1. U/L LISTED
2. C-UL LISTED
3. TIA/EIA 568B.2-1 CATEGORY 6 COMPONENT PERFORMANCE PLUG.
4. HUBBELL CORD CONNECTOR CONSTRUCTED FROM NYLON 6/6.
5. PLUG HOUSING AND QUICK NUT CONSTRUCTED FROM VALDX PBT.
6. MODULAR PLUG CONSTRUCTED FROM LEXAN PC.
7. SPECIFICATIONS SUBJECT TO CHANGE WITHOUT NOTICE.

REV.	ECN	DATE	DESCRIPTION	CHG BY	APPD BY
1	16993	12/10/10	INITIAL RELEASE	CG	

Created on AUTOCAD

DIMENSIONING AND TOLERANCE PER ANSI Y14.5M-1982 UNLESS OTHERWISE SPECIFIED, DIMENSIONS ARE IN INCHES (MM).
TOLERANCES:
.XX = ±.01 (.25)
.XXX = ±.005 (.127)
.XXXX = ±.0025 (.0635)
ANGLE TOL ±1°

IN ACCEPTING OUR DRAWINGS, BLUEPRINTS, OR SUPPORTING DOCUMENTATION FOR QUOTATION OR OTHER PURPOSES, YOU AGREE NOT TO DISCLOSE TO OTHERS THE IDEAS, INFORMATION, OR DESIGNS SHOWN HEREIN, AND THAT YOU WILL MAKE NO USE OF SAME WITHOUT PERMISSION

PROJECT REFERENCE:
PMS 2003-94

MATERIAL:
SEE NOTES

DRAWN BY:
D.O'CONNOR 7/22/03

CHECKED BY:

APPROVED BY:

TITLE:
Hubbell Premise Wiring
HUBBELL INCORPORATED (Delaware)
14 Lord's Hill Road, Stonington, Connecticut 06378

HI PATCH CORDS
HI6P TO HI6P

SIZE DRAWING NO.
C 1203203C

SCALE: 1/1 SHEET 1 OF 1

REV. **1**