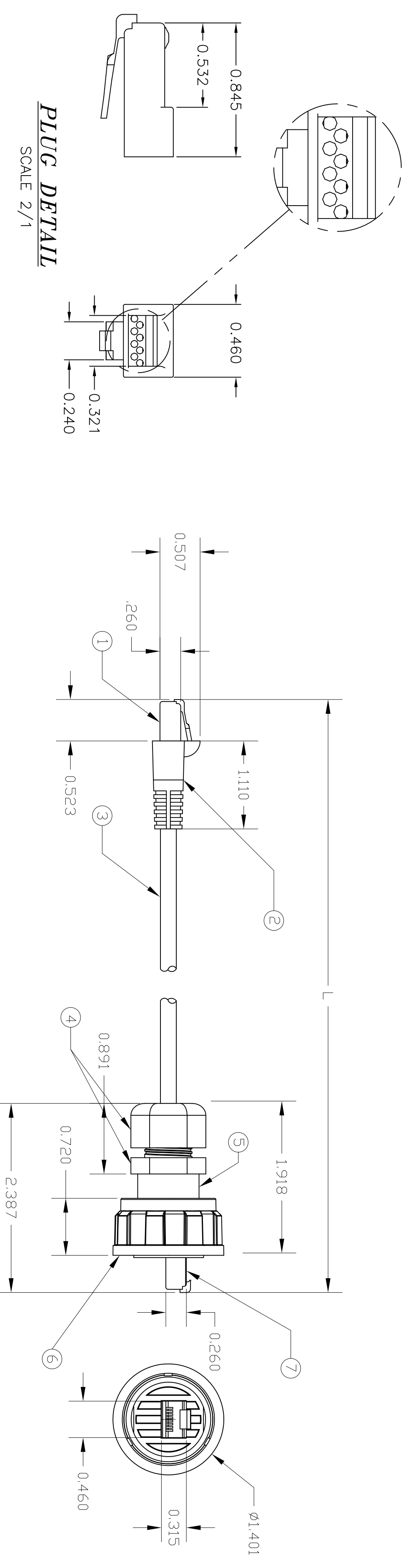


ITEM NO.	DESCRIPTION	QTY.
1	STD. HUBBELL PLUG W/LATCH	1
2	STD. PLUG BOOT	1
3	IE PATCH CABLE	1
4	HUBBELL CORD CONNECTOR	1
5	PLUG HOUSING	1
6	QUICK NUT	1
7	STD. HUBBELL PLUG W/O LATCH	1

CATALOG NUMBER	COLOR	DESCRIPTION	"L" FT.
HI603AE	BLACK	PATCH CABLE ASSEMBLY	3
HI605AE	BLACK	PATCH CABLE ASSEMBLY	5
HI607AE	BLACK	PATCH CABLE ASSEMBLY	7
HI610AE	BLACK	PATCH CABLE ASSEMBLY	10
HI615AE	BLACK	PATCH CABLE ASSEMBLY	15
HI620AE	BLACK	PATCH CABLE ASSEMBLY	20
HI625AE	BLACK	PATCH CABLE ASSEMBLY	25
HI630AE	BLACK	PATCH CABLE ASSEMBLY	30
HI635AE	BLACK	PATCH CABLE ASSEMBLY	35
HI640AE	BLACK	PATCH CABLE ASSEMBLY	40
HI645AE	BLACK	PATCH CABLE ASSEMBLY	45
HI650AE	BLACK	PATCH CABLE ASSEMBLY	50



NOTES:

1. U/L LISTED
2. C-UL LISTED
3. TIA/EIA 568B.2-1 COMPLIANT CATEGORY 6 COMPONENT PERFORMANCE PLUG.
4. HUBBELL CORD CONNECTOR CONSTRUCTED FROM NYLON 6/6.
5. PLUG HOUSING AND QUICK NUT CONSTRUCTED FROM VALDX PBT.
6. MODULAR PLUG BOOT CONSTRUCTED FROM PVC.
7. MODULAR PLUG CONSTRUCTED FROM LEXAN PC.
8. SPECIFICATIONS SUBJECT TO CHANGE WITHOUT NOTICE.

REV.	ECN	DATE	DESCRIPTION	CHG BY	APPD BY
1	16993	12/10/10	INITIAL RELEASE	CG	

Created on AUTOCAD

**HUBBELL**  
Hubbell Premise Wiring  
HUBBELL INCORPORATED (Delaware)  
14 Lord's Hill Road, Stonington, Connecticut 06378

**TITLE:** HI PATCH CORDS  
STD. PLUG W/BOOT TO HI6P

**PROJECT REFERENCE:** PMS 2003-94

**MATERIAL:** SEE NOTES

**DRAWN BY:** D.O'CONNOR 7/22/03

**CHECKED BY:**

**APPROVED BY:**

**SIZE:** C **DRAWING NO.:** 1203201C **REV.:** 1

**SCALE:** 1/1 **SHEET:** 1 OF 1

**DIMENSIONING AND TOLERANCE PER** ANSI Y14.5M-1982  
UNLESS OTHERWISE SPECIFIED, DIMENSIONS ARE IN INCHES (MM).  
TOLERANCES:  
.XX = ±.01 (.25)  
.XXX = ±.005 (.127)  
.XXXX = ±.0025 (.0635)  
ANGLE TOL ±1°

IN ACCEPTING OUR DRAWINGS, BLUEPRINTS, OR SUPPORTING DOCUMENTATION FOR QUOTATION OR OTHER PURPOSES, YOU AGREE NOT TO DISCLOSE TO OTHERS THE IDEAS, INFORMATION, OR DESIGNS SHOWN HEREIN, AND THAT YOU WILL MAKE NO USE OF SAME WITHOUT PERMISSION