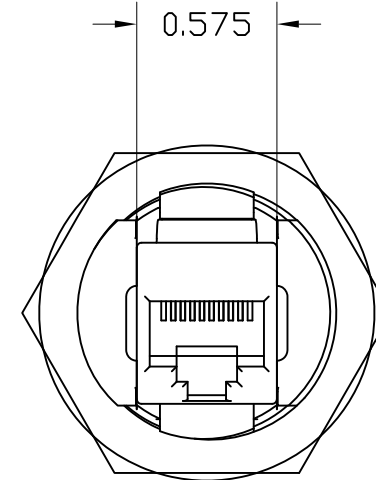
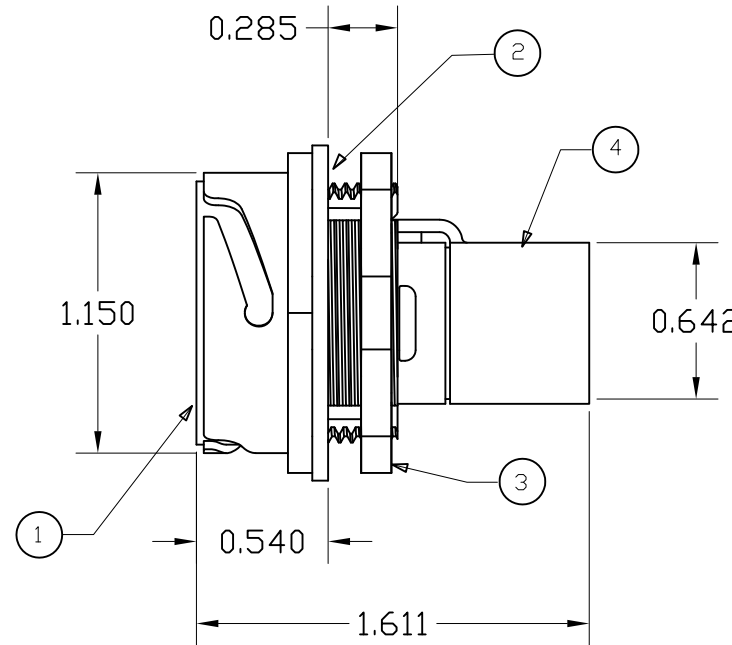
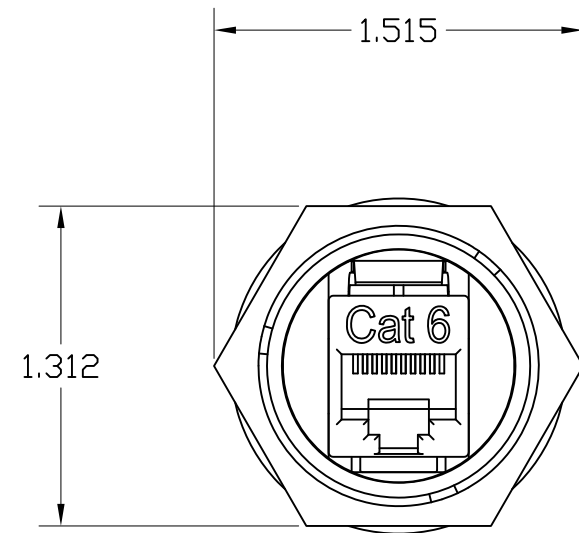
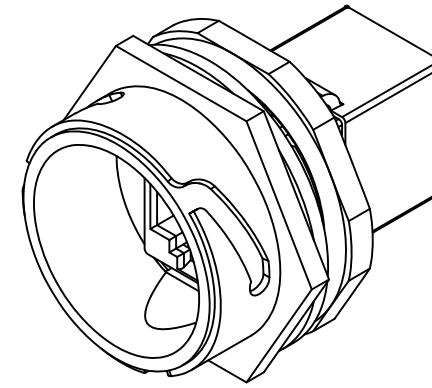



ITEM NO.	DESCRIPTION	QTY.
1	CONNECTOR HOUSING	1
2	GASKET	1
3	NUT	1
4	CAT 6 INLINE COUPLER, WHITE	1

CATALOG NUMBER	COLOR	DESCRIPTION
HI6C	BLACK	CONNECTOR ASSEMBLY



NOTES:

1. U/L LISTED
2. C-UL LISTED
3. IP66/IP67 RATED WHEN MATED WITH HI6P/HIC.
4. CATEGORY 6 CHANNEL.
5. CONNECTOR HOUSING MADE FROM VALOX PBT.
6. GASKET CONSTRUCTED FROM NEOPRENE.
7. SPECIFICATIONS SUBJECT TO CHANGE WITHOUT NOTICE.

Created on AUTOCAD	DIMENSIONING AND TOLERANCE PER ANSI Y14.5M-1982 UNLESS OTHERWISE SPECIFIED, DIMENSIONS ARE IN INCHES (MM). TOLERANCES .XX = ±.01 (.25) .XXX = ±.005 (.127) .XXXX = ±.0025 (.0635) ANGLE TOL ±1°		PROJECT REFERENCE: PMR 034-16		 <b>Hubbell Premise Wiring</b> HUBBELL INCORPORATED (Delaware) 14 Lord's Hill Road, Stonington, Connecticut 06378		
	IN ACCEPTING OUR DRAWINGS, BLUEPRINTS, OR SUPPORTING DOCUMENTATION FOR QUOTATION OR OTHER PURPOSES, YOU AGREE NOT TO DISCLOSE TO OTHERS THE IDEAS, INFORMATION, OR DESIGNS SHOWN HEREIN, AND THAT YOU WILL MAKE NO USE OF SAME WITHOUT PERMISSION		MATERIAL: SEE NOTES			TITLE: HI6C CONNECTOR ASSEMBLY C6 INLINE COUPLER	
			DRAWN BY: DOUG O'CONNOR 7/18/16		SIZE: <b>C</b>	DRAWING NO.: <b>1192628C</b>	REV.: <b>1</b>
			CHECKED BY:		SCALE: 2/1		SHEET 1 OF 1
		APPROVED BY:					

REV.	ECN	DATE	DESCRIPTION	CHG BY	APPD BY
1	21474	7/18/16	INITIAL RELEASE	DPO	