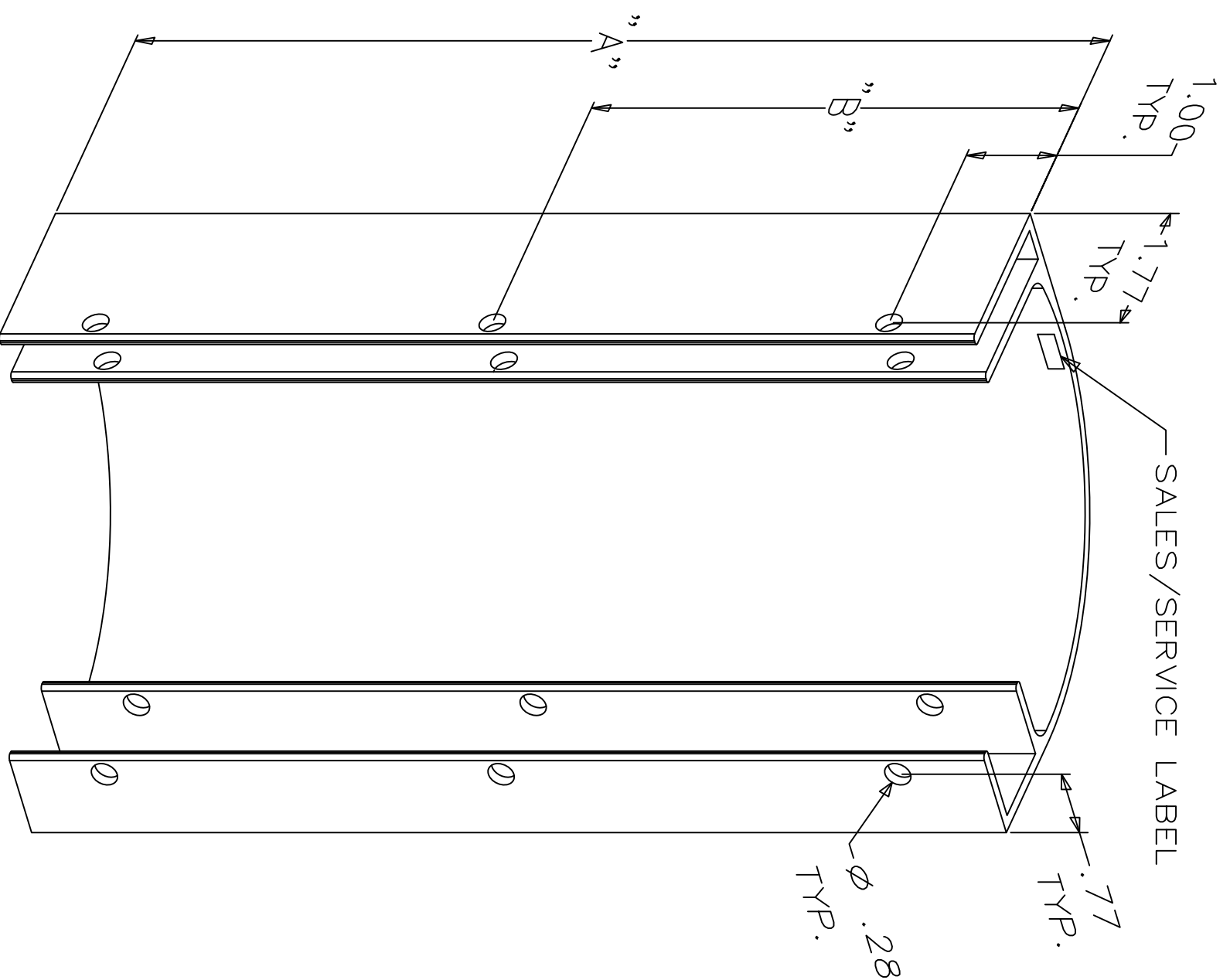
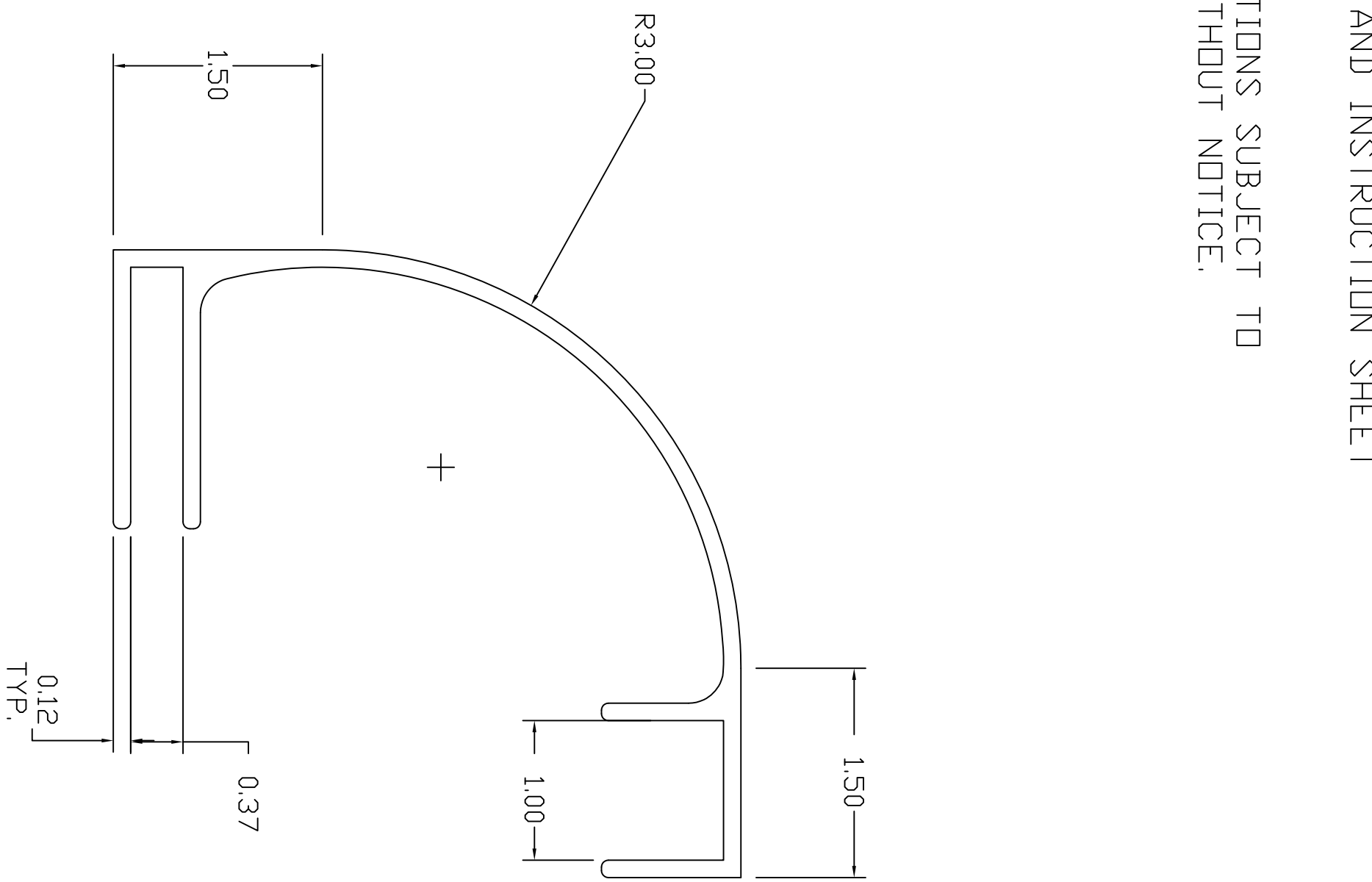


CATALOG NUMBERS	DESCRIPTION	DIM. "A"	DIM. "B"
HLCD06	TRANSITION PAN FOR 6"W LADDER	4.75	N/A
HLCD12	TRANSITION PAN FOR 12"W LADDER	10.75	5.38
HLCD18	TRANSITION PAN FOR 18"W LADDER	16.75	8.38
HLCDS	7.5"W STRINGER	7.50	N/A

- NOTES:
1. SURFACE FINISH: BLACK
 2. EACH KIT CONTAINS ONE CABLE RADIUS DROP, MOUNTING HARDWARE AND INSTRUCTION SHEET 778996801.
 3. SPECIFICATIONS SUBJECT TO CHANGE WITHOUT NOTICE.



REV.	ECN	DATE	DESCRIPTION	CHG BY	APPD BY
A	17138	09/20/11	INITIAL RELEASE	MMA	MO

Created on AUTOCAD

DIMENSIONING AND TOLERANCE PER ANSI Y14.5M-1982. UNLESS OTHERWISE SPECIFIED, DIMENSIONS ARE IN INCHES (MM). TOLERANCES: X = ±.03 (.8), XX = ±.02 (.4), XXX = ±.010 (.25) ANGLE TOL ±1°

IN ACCEPTING OUR DRAWINGS, BLUEPRINTS, OR SUPPORTING DOCUMENTATION FOR QUOTATION OR OTHER PURPOSES, YOU AGREE NOT TO DISCLOSE TO OTHERS THE IDEAS, INFORMATION, OR DESIGNS SHOWN HEREIN, AND THAT YOU WILL MAKE NO USE OF SAME WITHOUT PERMISSION.

PROJECT REFERENCE:

MATERIAL: ALUMINUM EXTRUSION

DRAWN BY: M. ABBY 09/20/11

CHECKED BY:

APPROVED BY:

HUBBELL

Hubbell Premise Wiring
HUBBELL INCORPORATED (Delaware)
14 Lord's Hill Road, Stonington, Connecticut 06378

TITLE: CABLE RADIUS DROP

SIZE: C DRAWING NO.: 11263C

SCALE: 1/1 SHEET 1 OF 1

REV.: A