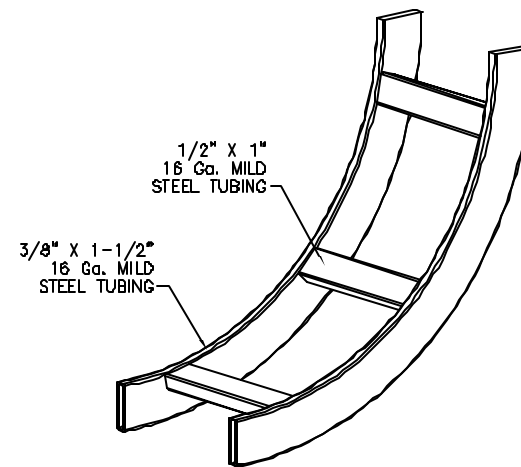
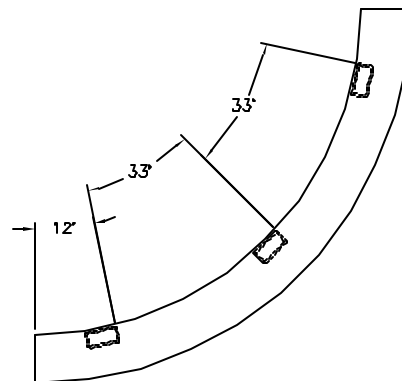
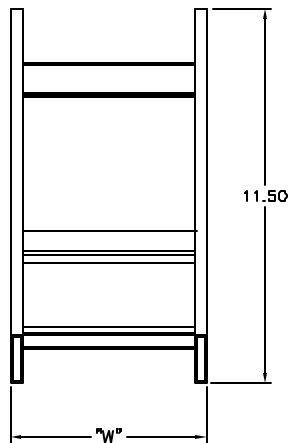
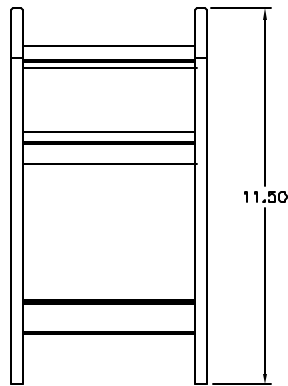


CATALOG NUMBERS	DESCRIPTION	SURFACE FINISH	DIMENSION "W"
HLI0690B	INSIDE CURVED RUNWAY 6" WIDE	BLACK SMOOTH	6.00
HLI0690G	INSIDE CURVED RUNWAY 6" WIDE	GRAY SMOOTH	6.00
HLI1290B	INSIDE CURVED RUNWAY 12" WIDE	BLACK SMOOTH	12.00
HLI1290G	INSIDE CURVED RUNWAY 12" WIDE	GRAY SMOOTH	12.00
HLI1890B	INSIDE CURVED RUNWAY 18" WIDE	BLACK SMOOTH	18.00
HLI1890G	INSIDE CURVED RUNWAY 18" WIDE	GRAY SMOOTH	18.00
HLI2490B	INSIDE CURVED RUNWAY 24" WIDE	BLACK SMOOTH	24.00
HLI2490G	INSIDE CURVED RUNWAY 24" WIDE	GRAY SMOOTH	24.00



NOTES
UNLESS OTHERWISE SPECIFIED:

- LADDER RACK INSIDE RADIUS IS USED FOR CONFIGURING DATA PATHWAYS. AVAILABLE IN FOUR WIDTHS (6", 12", 18", AND 24").
- FOR INSTALLATION INFORMATION SEE INSTRUCTION SHEET P/N 77896801, INCLUDED WITH EVERY ITEM.
- SPECIFICATIONS SUBJECT TO CHANGE WITHOUT NOTICE.

Created on AUTOCAD

DIMENSIONING AND TOLERANCE PER
ANSI Y14.5M-1982
UNLESS OTHERWISE SPECIFIED,
DIMENSIONS ARE IN INCHES (MM).
TOLERANCES
XX = ±.01 (25%)
XXX = ±.005 (12%)
XXXX = ±.0025 (63%)
ANGLE TOL .2°

IN ACCEPTING OUR DRAWINGS,
BLUEPRINTS, OR SUPPORTING
DOCUMENTATION FOR QUOTATION
OR OTHER PURPOSES, YOU AGREE
NOT TO DISCLOSE TO OTHERS
THE IDEAS, INFORMATION, OR
DESIGNS SHOWN HEREIN, AND
THAT YOU WILL MAKE NO USE
OF SAME WITHOUT PERMISSION

PROJECT REFERENCE:

MATERIAL:
16 Ga. STEEL WALL TUBING

DRAWN BY:
P.S.MAGUIRE 06/15/01

CHECKED BY:
H.MCGREGOR 06/18/01

APPROVED BY:
R.BAXTOR 06/18/01



Hubbell Premise Wiring
HUBBELL INCORPORATED (Delaware)
14 Lord's Hill Road, Stonington, Connecticut 06378

TITLE:
NEXT FRAME LADDER RACK
INSIDE CURVED RUNWAY

SIZE: DRAWING NO.
C C11249

SCALE: NO SCALE SHEET 1 OF 1

REV. A

REV.	ECN	DATE	DESCRIPTION	CHG BY	APPD BY
A	4289	06/15/2001	INITIAL RELEASE	PSM	HKM