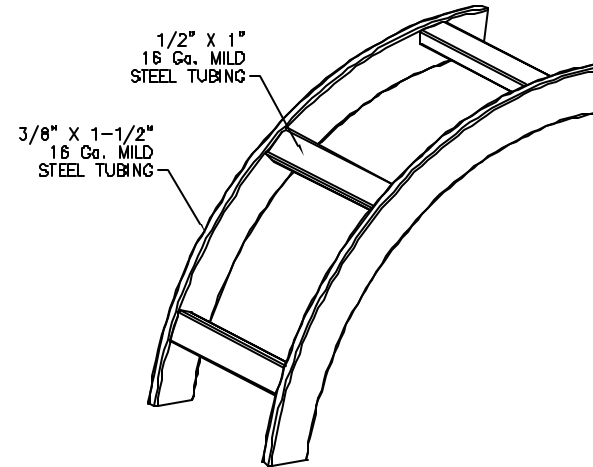
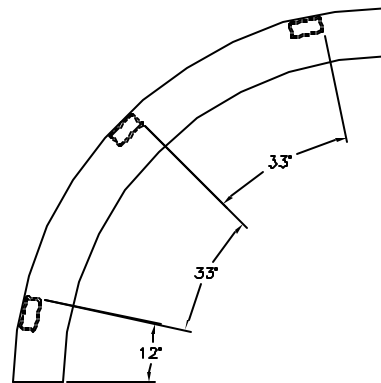
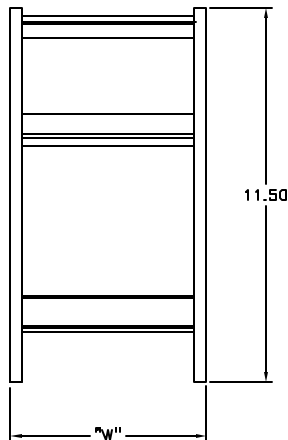
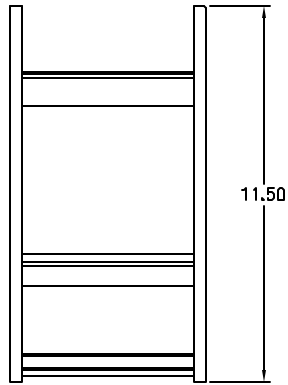


CATALOG NUMBERS	DESCRIPTION	SURFACE FINISH	DIMENSION "W"
HLO0680B	OUTSIDE CURVED RUNWAY 6" WIDE	BLACK SMOOTH	6.00
HLO0680G	OUTSIDE CURVED RUNWAY 6" WIDE	GRAY SMOOTH	6.00
HLO1290B	OUTSIDE CURVED RUNWAY 12" WIDE	BLACK SMOOTH	12.00
HLO1290G	OUTSIDE CURVED RUNWAY 12" WIDE	GRAY SMOOTH	12.00
HLO1890B	OUTSIDE CURVED RUNWAY 18" WIDE	BLACK SMOOTH	18.00
HLO1890G	OUTSIDE CURVED RUNWAY 18" WIDE	GRAY SMOOTH	18.00
HLO2490B	OUTSIDE CURVED RUNWAY 24" WIDE	BLACK SMOOTH	24.00
HLO2490G	OUTSIDE CURVED RUNWAY 24" WIDE	GRAY SMOOTH	24.00



NOTES  
UNLESS OTHERWISE SPECIFIED:

- LADDER RACK OUTSIDE RADIUS IS USED FOR CONFIGURING DATA PATHWAYS. AVAILABLE IN FOUR WIDTHS (6", 12", 18", AND 24").
- FOR INSTALLATION INFORMATION SEE INSTRUCTION SHEET P/N 77896801, INCLUDED WITH EVERY ITEM.
- SPECIFICATIONS SUBJECT TO CHANGE WITHOUT NOTICE.

Created on AUTOCAD

**DIMENSIONING AND TOLERANCE PER ANSI Y14.5M-1982 UNLESS OTHERWISE SPECIFIED, DIMENSIONS ARE IN INCHES (IN). TOLERANCES**  
 XX = ±.01 (25%)  
 XXX = ±.005 (12%)  
 XXXX = ±.0025 (D630)  
 ANGLE TOL .2°

IN ACCEPTING OUR DRAWINGS, BLUEPRINTS, OR SUPPORTING DOCUMENTATION FOR QUOTATION OR OTHER PURPOSES, YOU AGREE NOT TO DISCLOSE TO OTHERS THE IDEAS, INFORMATION, OR DESIGNS SHOWN HEREIN, AND THAT YOU WILL MAKE NO USE OF SAME WITHOUT PERMISSION

PROJECT REFERENCE:  
MATERIAL:  
16 Ga. STEEL WALL TUBING

DRAWN BY:  
P.S. MAGUIRE 06/15/01

CHECKED BY:  
H. McGREGOR 06/18/01

APPROVED BY:  
R. BAXTOR 06/18/01



Hubbell Premise Wiring  
HUBBELL INCORPORATED (Delaware)  
14 Lord's Hill Road, Stonington, Connecticut 06378

TITLE:  
NEXT FRAME LADDER RACK  
OUTSIDE CURVED RUNWAY

SIZE: DRAWING NO.  
C C11250

SCALE: NO SCALE SHEET 1 OF 1

REV.  
A

REV.	ECN	DATE	DESCRIPTION	CHG BY	APPD BY
A	4289	06/15/2001	INITIAL RELEASE	PSM	HKM