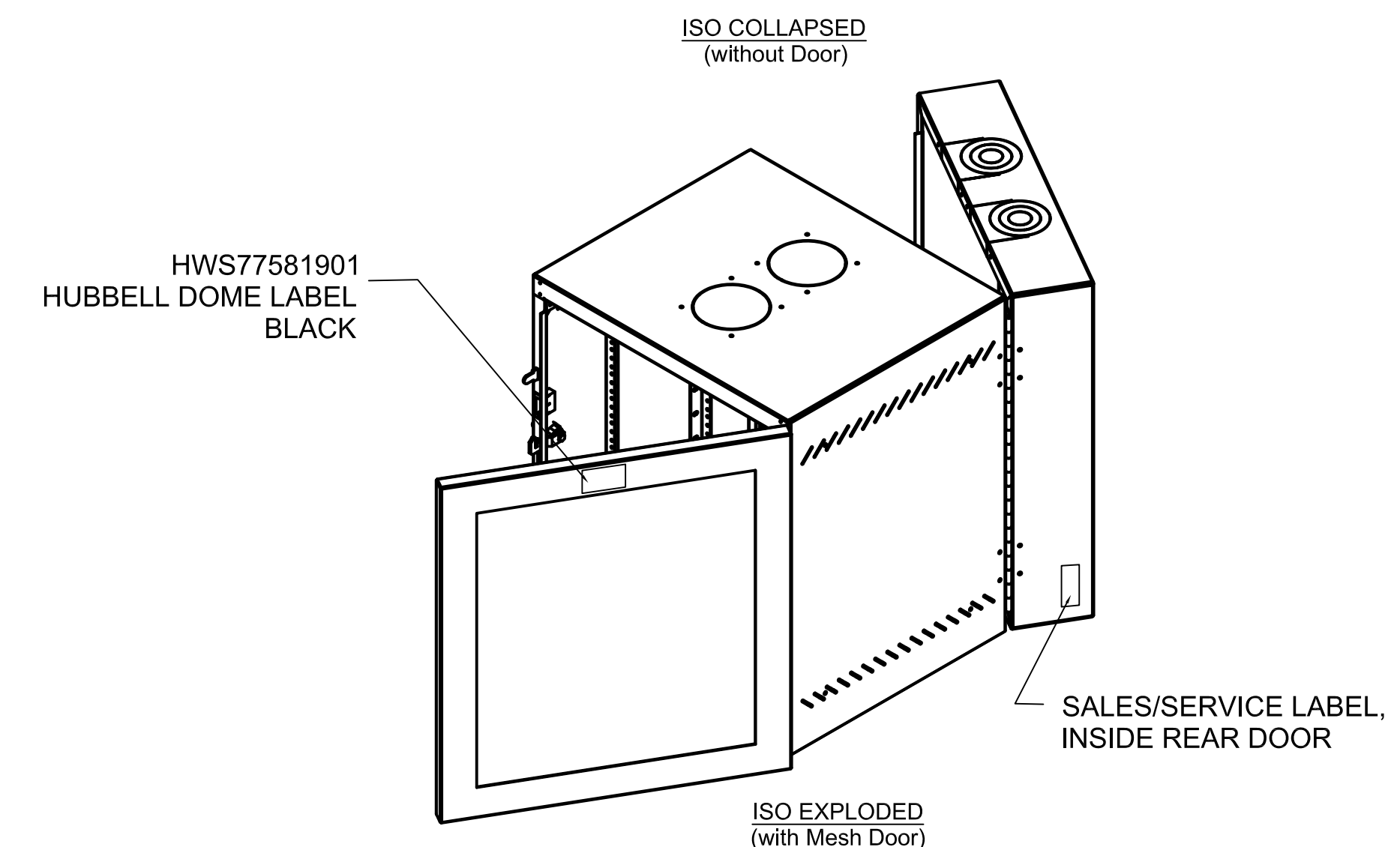
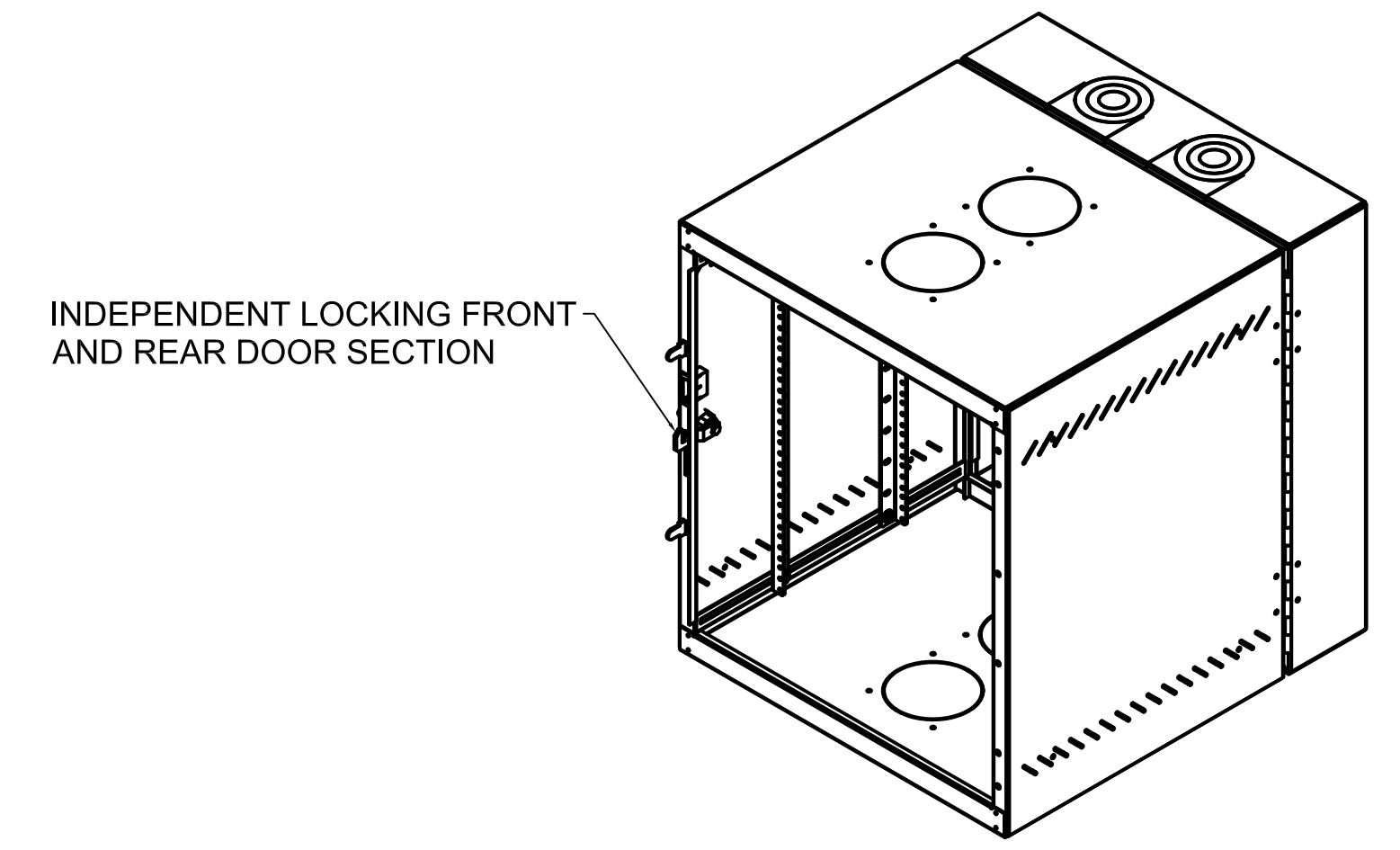
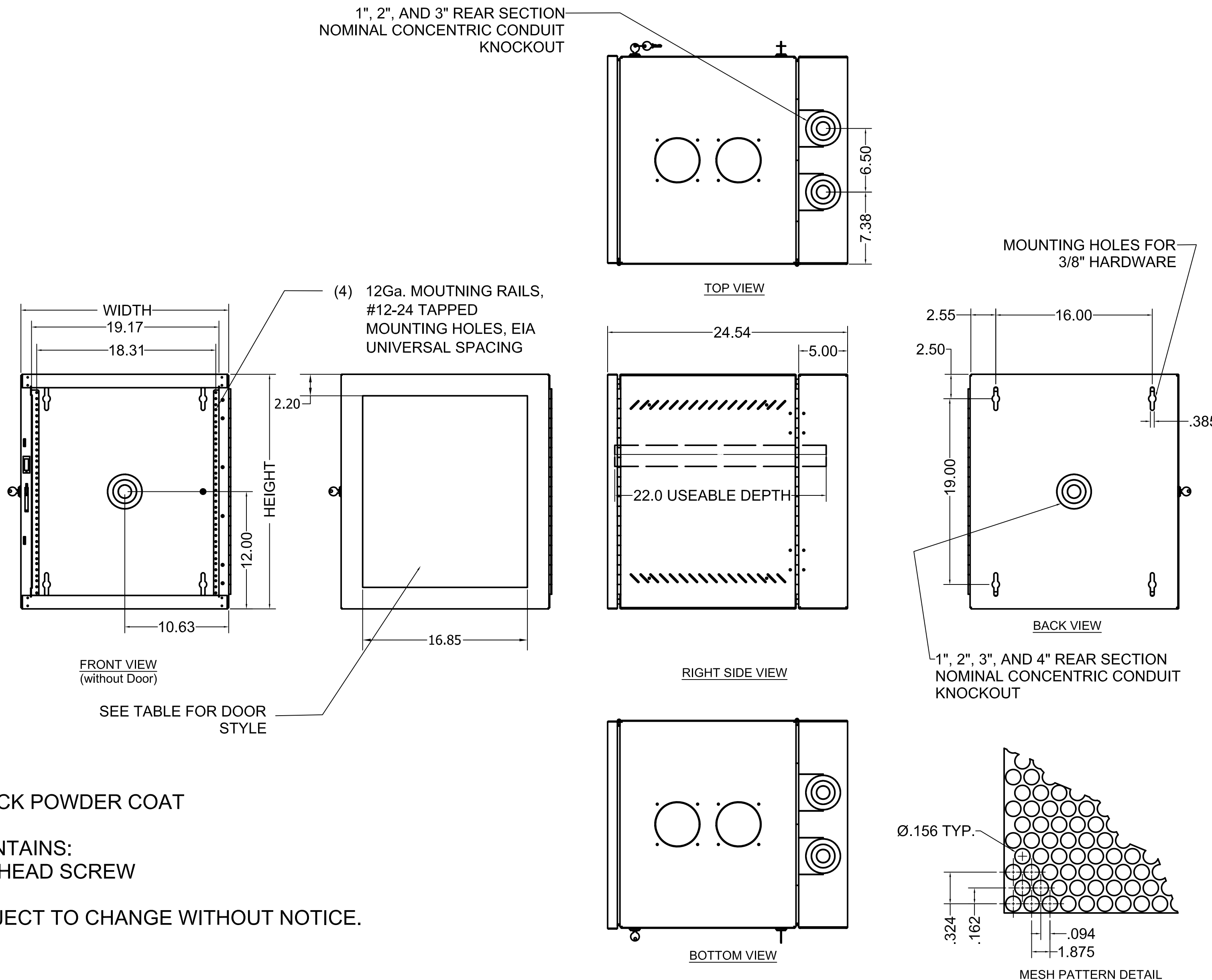


CATALOG NO.	DESCRIPTION	DOOR STYLE	HEIGHT
HLQ24	QUADCAB,LT DTY,12U,24"D,WIN DR,BK	WINDOW	24.00
HLQ36	QUADCAB,LT DTY,19U,24"D,WIN DR,BK	WINDOW	36.00
HLQ48	QUADCAB,LT DTY,25U,24"D,WIN DR,BK	WINDOW	48.00
HLQ24M	QUADCAB,LT DTY,12U,24"D,MESH DR,BK	MESH	24.00
HLQ36M	QUADCAB,LT DTY,19U,24"D,MESH DR,BK	MESH	36.00
HLQ48M	QUADCAB,LT DTY,25U,24"D,MESH DR,BK	MESH	48.00



- NOTES:
1. SURFACE FINISH: BLACK POWDER COAT
 2. HARDWARE PACK CONTAINS: (30) #12-24 X 1/2" PAN HEAD SCREW
 3. SPECIFICATIONS SUBJECT TO CHANGE WITHOUT NOTICE.

Created on INVENTOR	DIMENSIONING AND TOLERANCE PER ANSI Y14.5M-1982 UNLESS OTHERWISE SPECIFIED, DIMENSIONS ARE IN INCHES (MM). TOLERANCES: XX = ±.01 (.25) .XXX = ±.005 (.127) .XXXX = ±.0025 (.0635) ANGLE TOL ±1°		PROJECT REFERENCE: NP0 00041	Hubbell Premise Wiring HUBBELL INCORPORATED (Delaware) 23 CLARA DRIVE, SUITE 103 MYSTIC, CT 06355	
	IN ACCEPTING OUR DRAWINGS, BLUEPRINTS, OR SUPPORTING DOCUMENTATION FOR QUOTATION OR OTHER PURPOSES, YOU AGREE NOT TO DISCLOSE TO OTHERS THE IDEAS, INFORMATION, OR DESIGNS SHOWN HEREIN, AND THAT YOU WILL MAKE NO USE OF SAME WITHOUT PERMISSION		MATERIAL: C.R.S.		TITLE: QUADCAB WALL MOUNT CABINET, LIGHT DUTY
			DRAWN BY: MABBY 03/03/17	SIZE: D	DRAWING NO. HWS14724C
			CHECKED BY:	APPROVED BY:	REV. 1
			SCALE:	SHEET 1 OF 1	

REV.	ECN	DATE	DESCRIPTION	CHG BY	APPD BY
1	22423	03/24/17	INITIAL RELEASE	MMA	DO