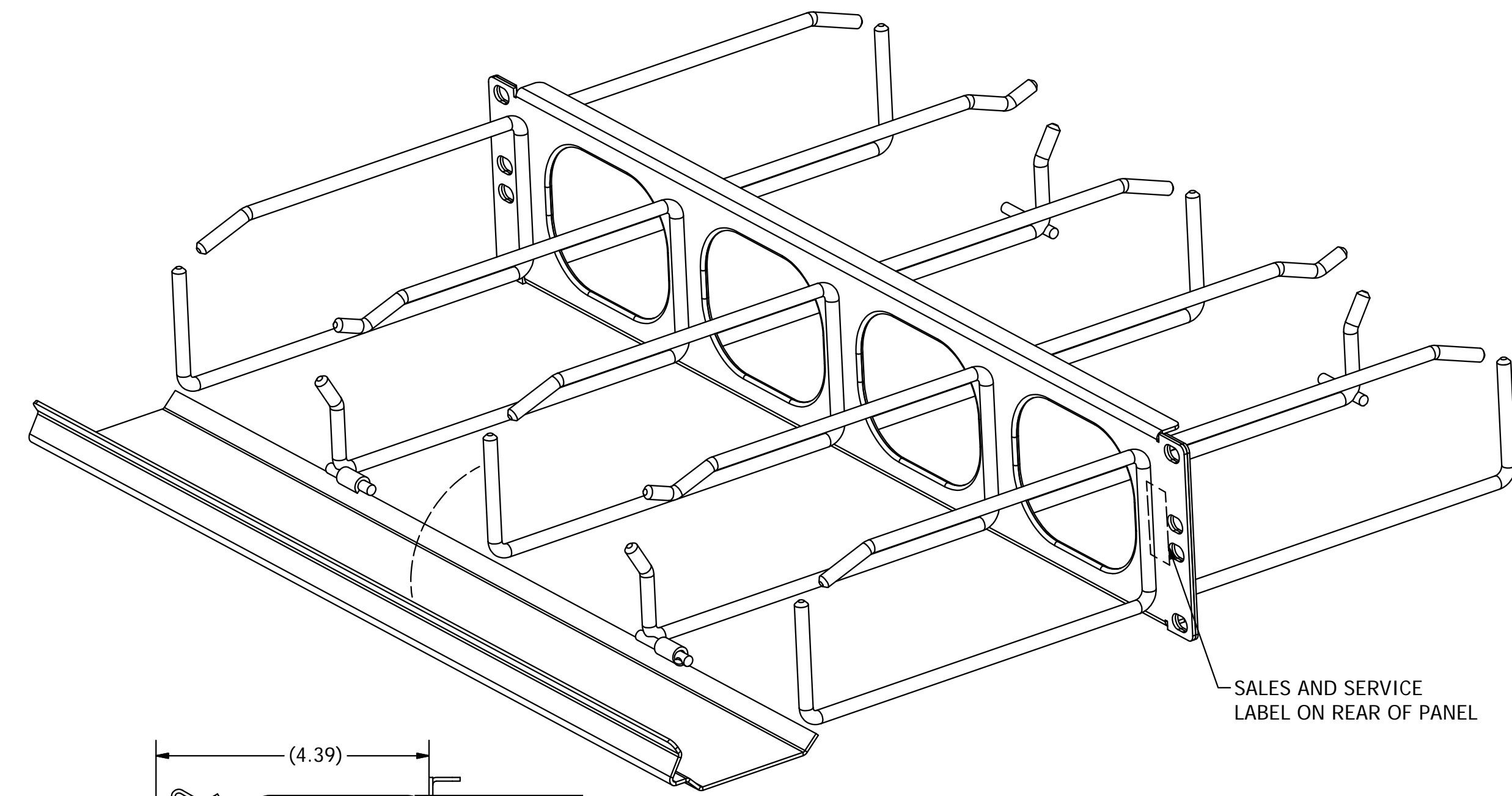
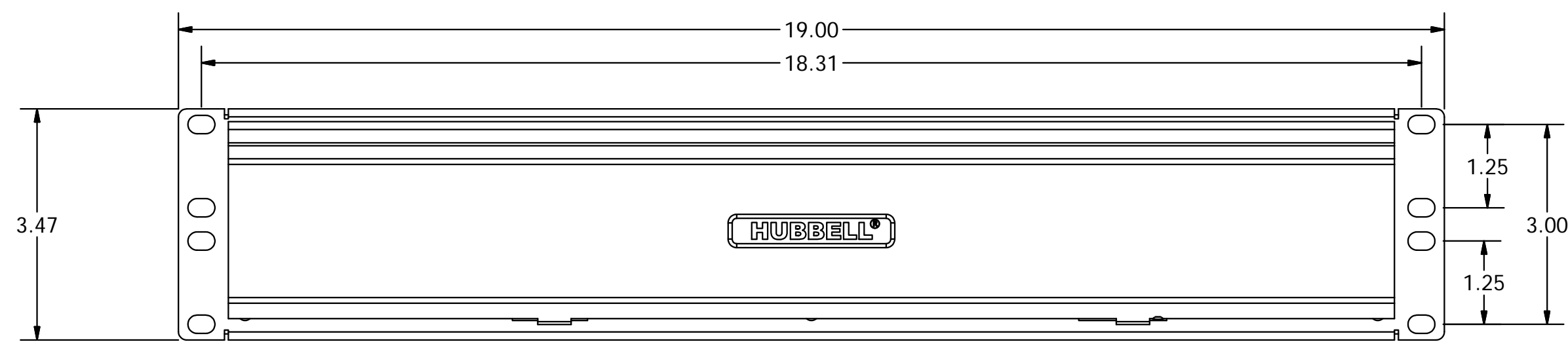
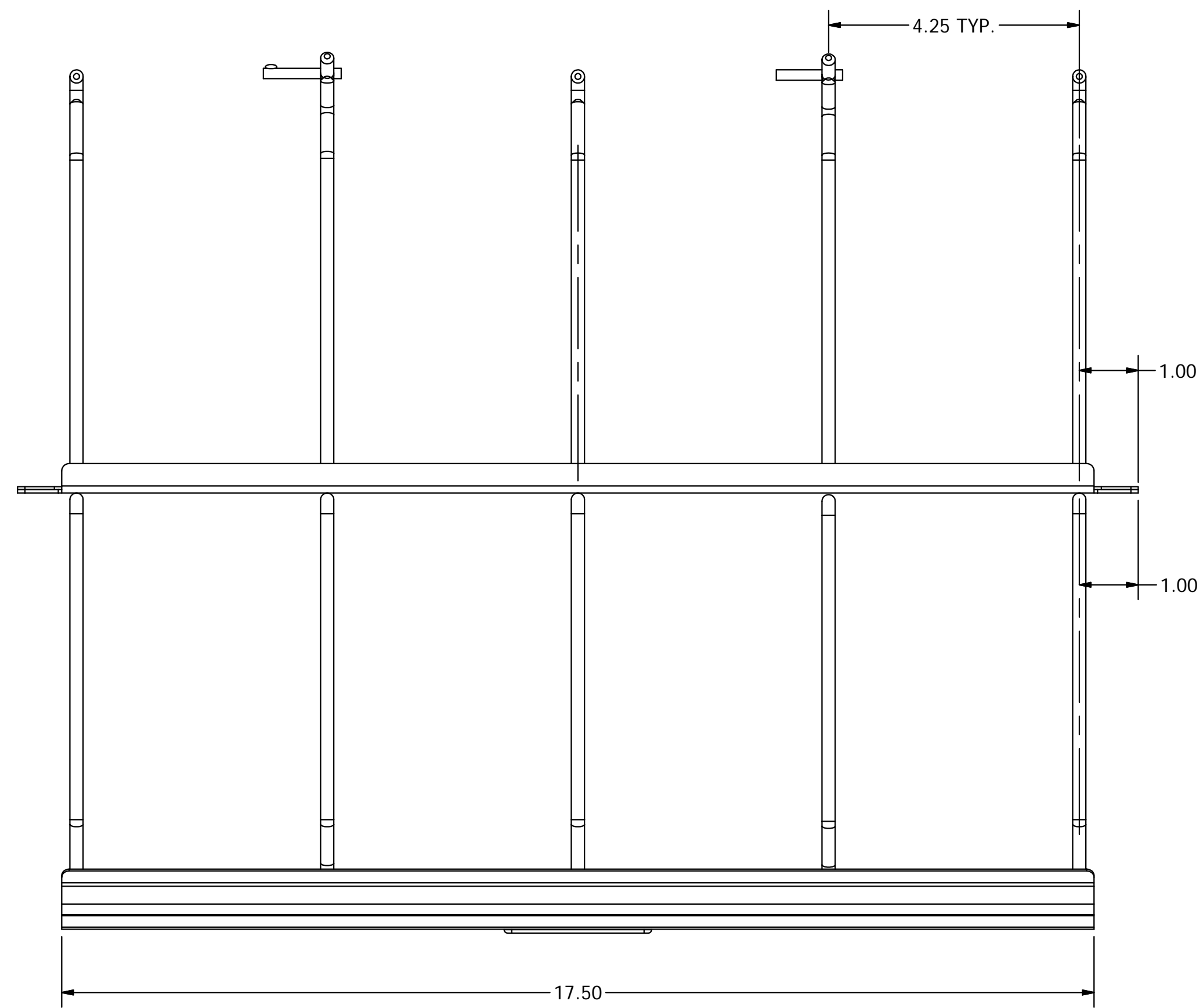
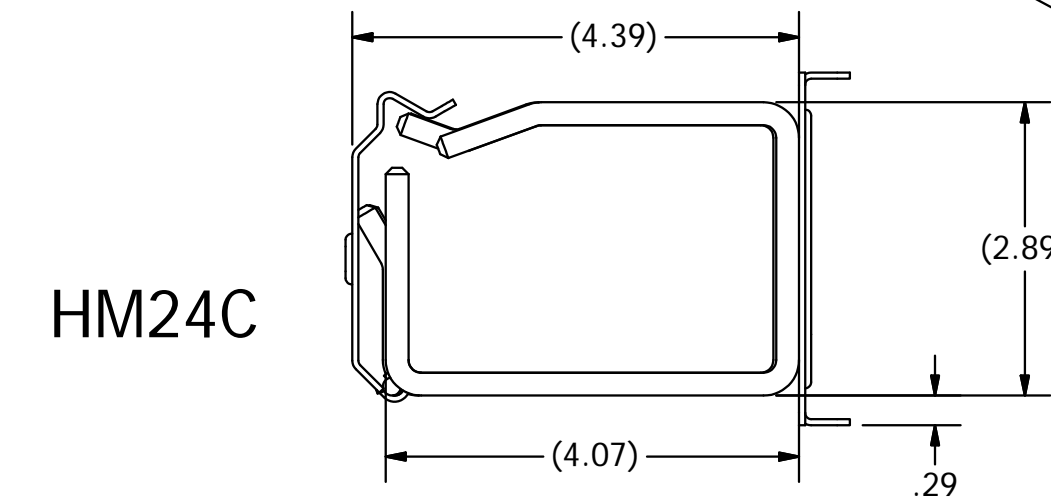


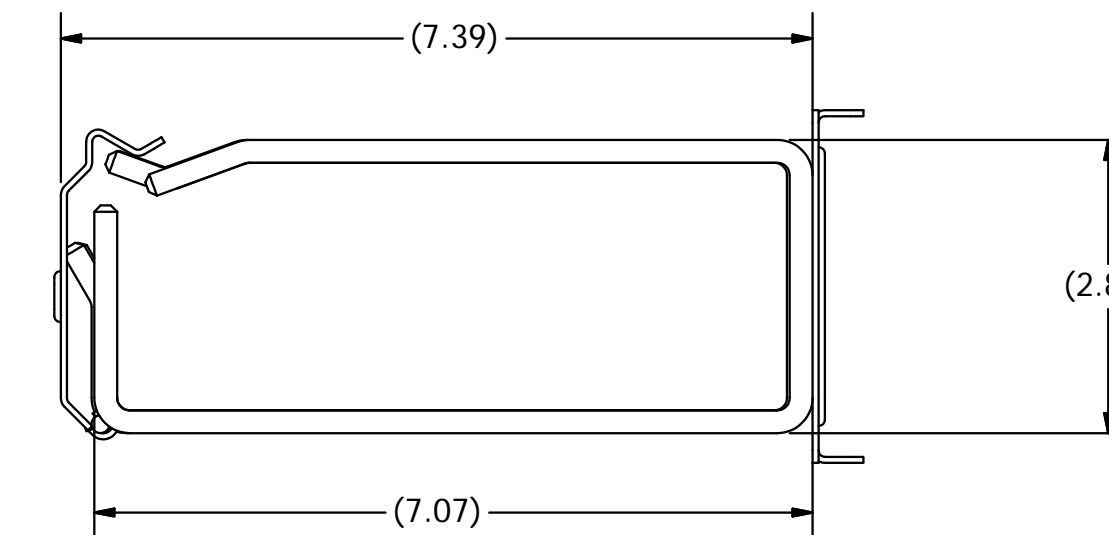
CATALOG	DESCRIPTION	COLOR
HM24	HRZ MGR,2U,4" FR EXT,NO CVR,BLK	BLACK
HM24C	HRZ MGR,2U,4" FR EXT,WITH CVR,BLK	BLACK
HM27C	HRZ MGR,2U,7" FR EXT,WITH CVR,BLK	BLACK
HM277C	HRZ MGR,2U,7"EXT-F,7"EXT-R,WITH CVR,BLK	BLACK



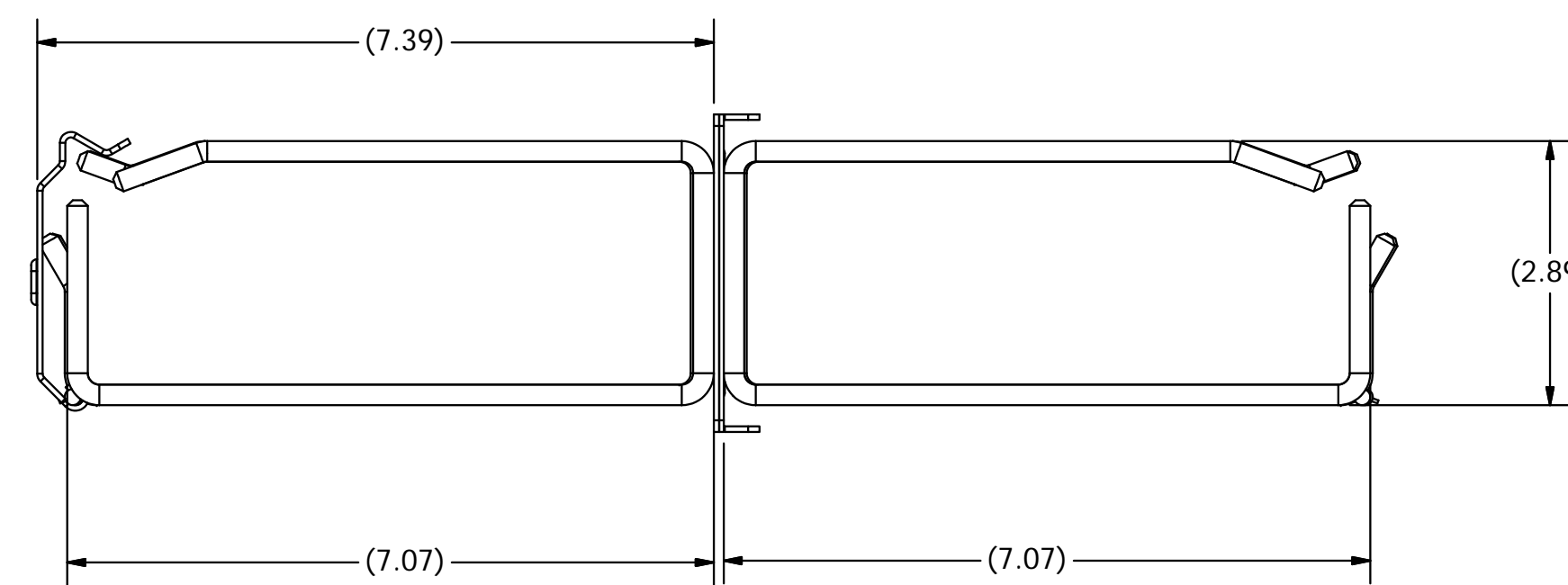
SALES AND SERVICE LABEL ON REAR OF PANEL



HM24C



HM27C



HM277C

NOTES:

1. MATERIAL: COLD ROLLED STEEL
2. FINISH: POWDER COAT, SEE TABLE FOR COLOR
3. SPECIFICATIONS SUBJECT TO CHANGE WITHOUT NOTICE.

REV.	ECN	DATE	DESCRIPTION	CHG BY	APPD BY
3	19650	6/12/15	ADDED PROVISION FOR REAR COVER	MMA	

Created on INVENTOR	DIMENSIONING AND TOLERANCE PER ANSI Y14.5M-1982 UNLESS OTHERWISE SPECIFIED, DIMENSIONS ARE IN INCHES (MM). TOLERANCES: XX = ±.01 (.25) .XXX = ±.005 (.127) .XXXX = ±.0025 (.0635) ANGLE TOL ±1°		PROJECT REFERENCE: 2012-014		<p>Hubbell Premise Wiring HUBBELL INCORPORATED (Delaware) 23 CLARA DRIVE, SUITE 103 MYSTIC, CT 06355</p>
	IN ACCEPTING OUR DRAWINGS, BLUEPRINTS, OR SUPPORTING DOCUMENTATION FOR QUOTATION OR OTHER PURPOSES, YOU AGREE NOT TO DISCLOSE TO OTHERS THE IDEAS, INFORMATION, OR DESIGNS SHOWN HEREIN, AND THAT YOU WILL MAKE NO USE OF SAME WITHOUT PERMISSION		MATERIAL:		
	DRAWN BY: D.O'CONNOR 8/11/14		CHECKED BY:		
APPROVED BY:		TITLE: 2U HM HORIZONTAL ORGANIZER		SIZE: D	DRAWING NO.: HWS14422C
		SCALE:		SHEET 1 OF 1	REV. 3