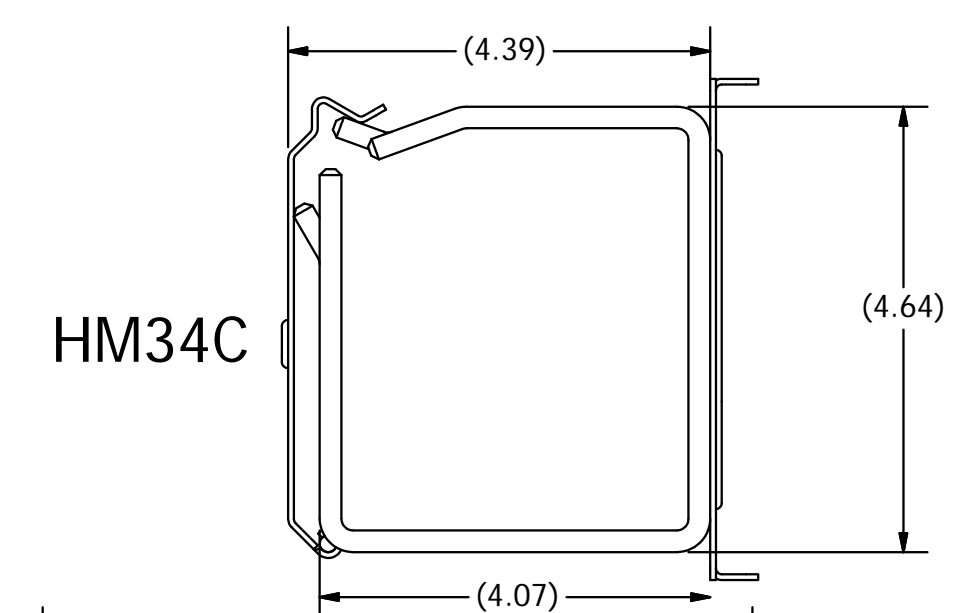
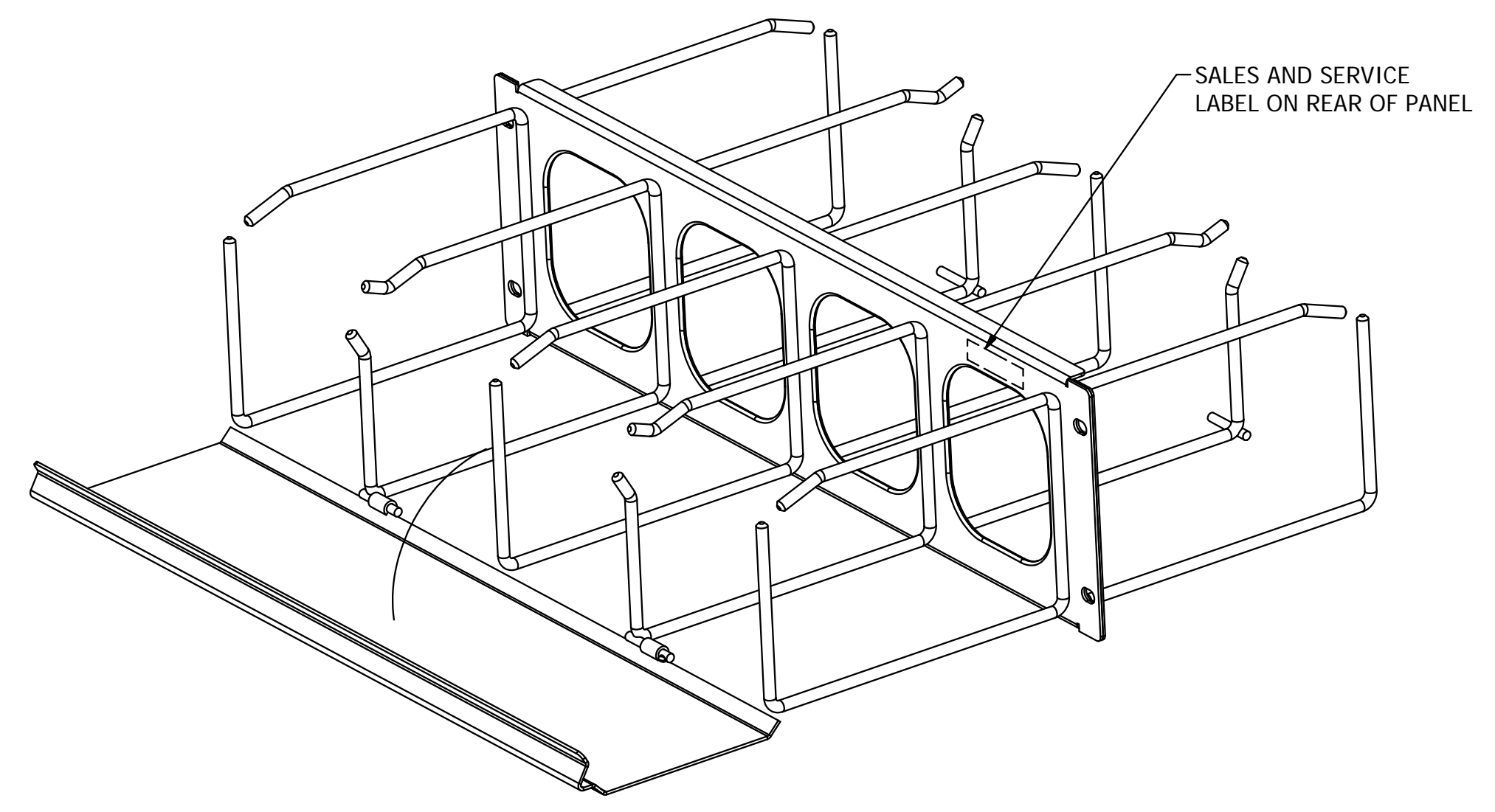
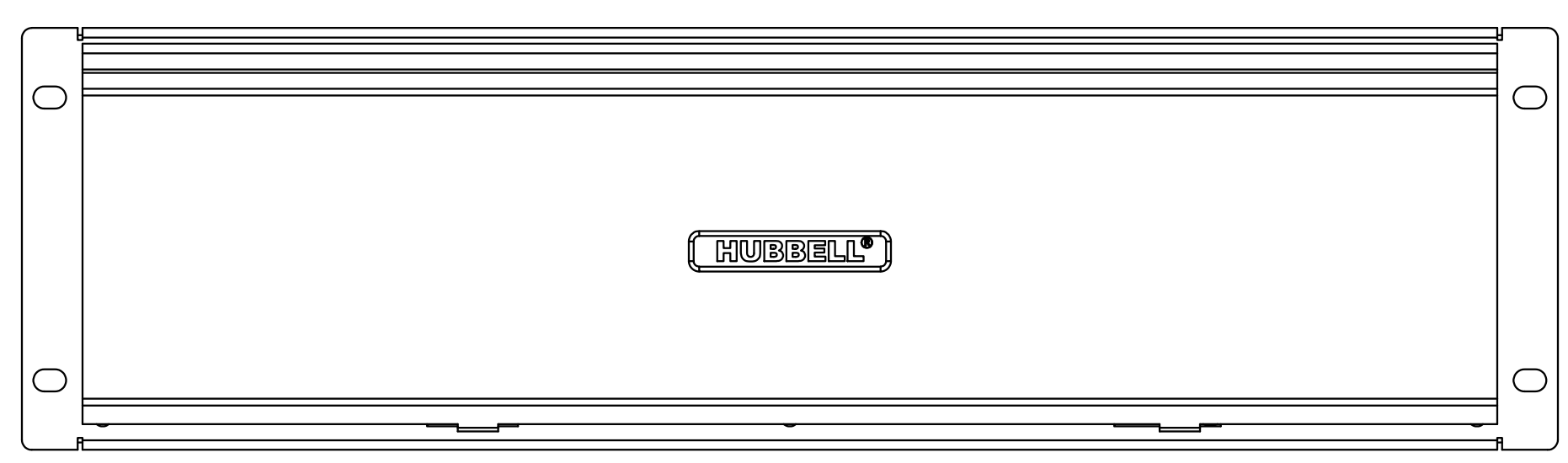
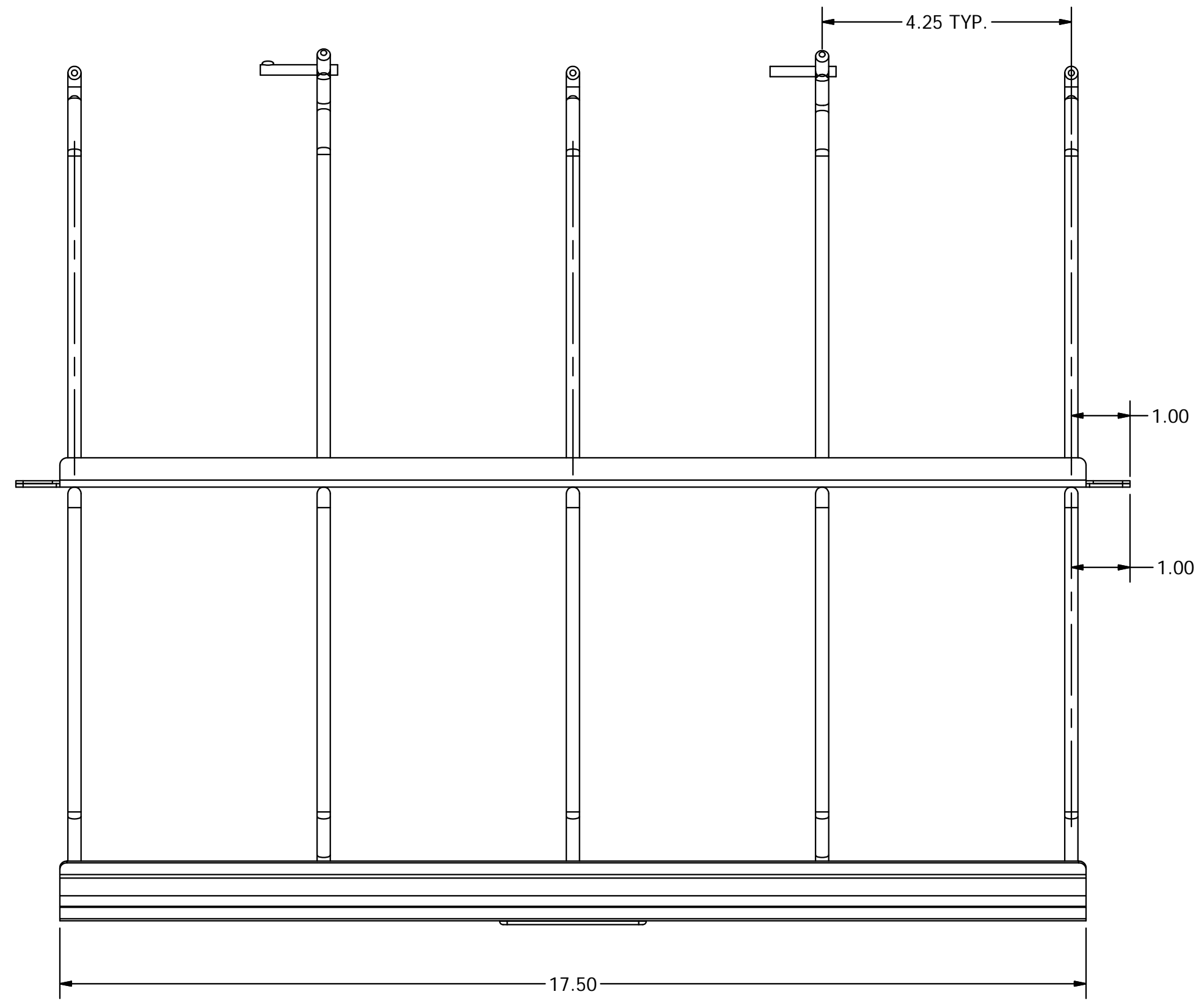
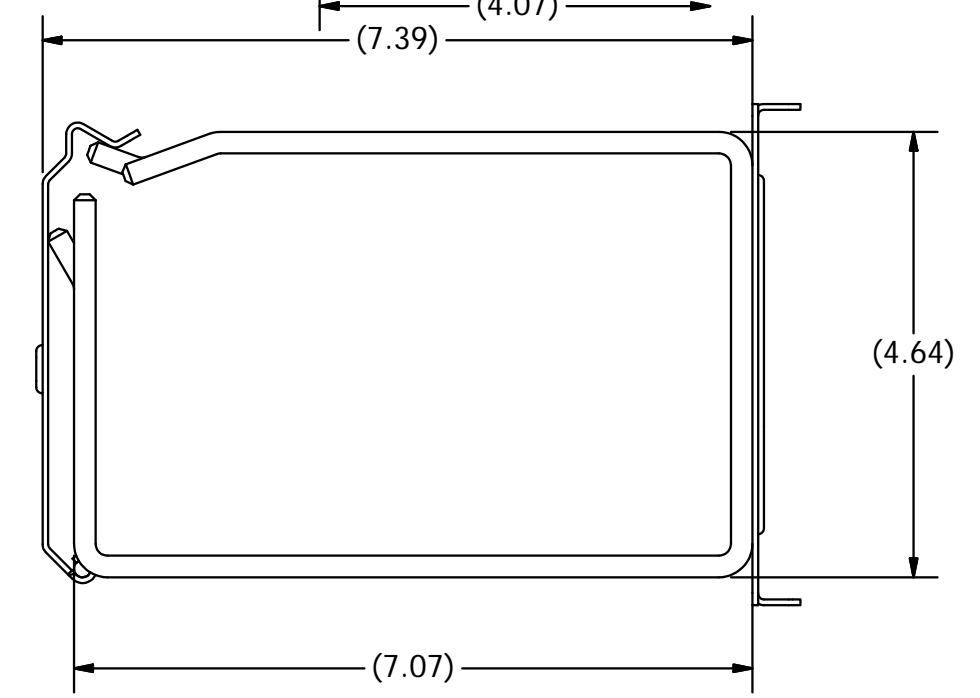


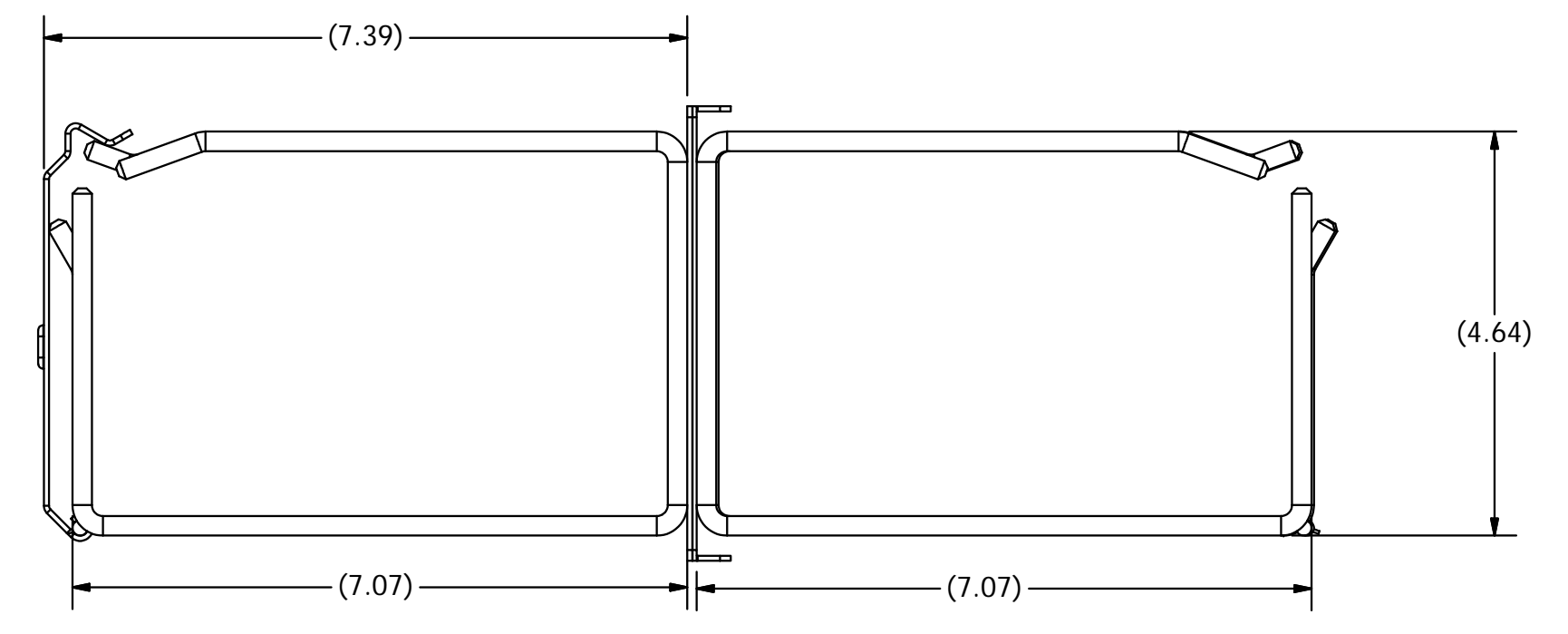
CATALOG	DESCRIPTION	COLOR
HM34	HRZ MGR,3U,4" FR EXT,NO CVR,BLK	BLACK
HM34C	HRZ MGR,3U,4" FR EXT,WITH CVR,BLK	BLACK
HM37C	HRZ MGR,3U,7" FR EXT,WITH CVR,BLK	BLACK
HM377C	HRZ MGR,3U,7"EXT-F,7"EXT-R,WITH CVR,BLK	BLACK



HM34C



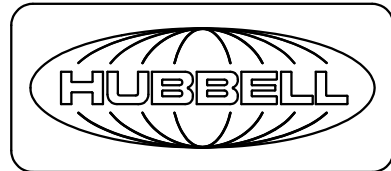
HM37C



HM377C

- NOTES:
1. MATERIAL: COLD ROLLED STEEL
  2. FINISH: POWDER COAT, SEE TABLE FOR COLOR
  3. SPECIFICATIONS SUBJECT TO CHANGE WITHOUT NOTICE.

REV.	ECN	DATE	DESCRIPTION	CHG BY	APPD BY
4	21346	10/13/15	CORRECTED HM37C VIEW	MMA	

Created on INVENTOR	DIMENSIONING AND TOLERANCE PER ANSI Y14.5M-1982. UNLESS OTHERWISE SPECIFIED, DIMENSIONS ARE IN INCHES (MM). TOLERANCES: XX = ±.01 (.25) XXX = ±.005 (.127) .XXX = ±.0025 (.0635) ANGLE TOL ±1°		PROJECT REFERENCE: 2012-014		 <b>Hubbell Premise Wiring</b> HUBBELL INCORPORATED (Delaware) 23 CLARA DRIVE, SUITE 103 MYSTIC, CT 06355	
	IN ACCEPTING OUR DRAWINGS, BLUEPRINTS, OR SUPPORTING DOCUMENTATION FOR QUOTATION OR OTHER PURPOSES, YOU AGREE NOT TO DISCLOSE TO OTHERS THE IDEAS, INFORMATION, OR DESIGNS SHOWN HEREIN, AND THAT YOU WILL MAKE NO USE OF SAME WITHOUT PERMISSION		DRAWN BY: D.O'CONNOR 8/11/14			TITLE: 3U HM HORIZONTAL ORGANIZER
			CHECKED BY:			SIZE DRAWING NO. <b>D HWS14423C</b>
		APPROVED BY:		SCALE:	REV. <b>4</b>	
			SHEET 1 OF 1			