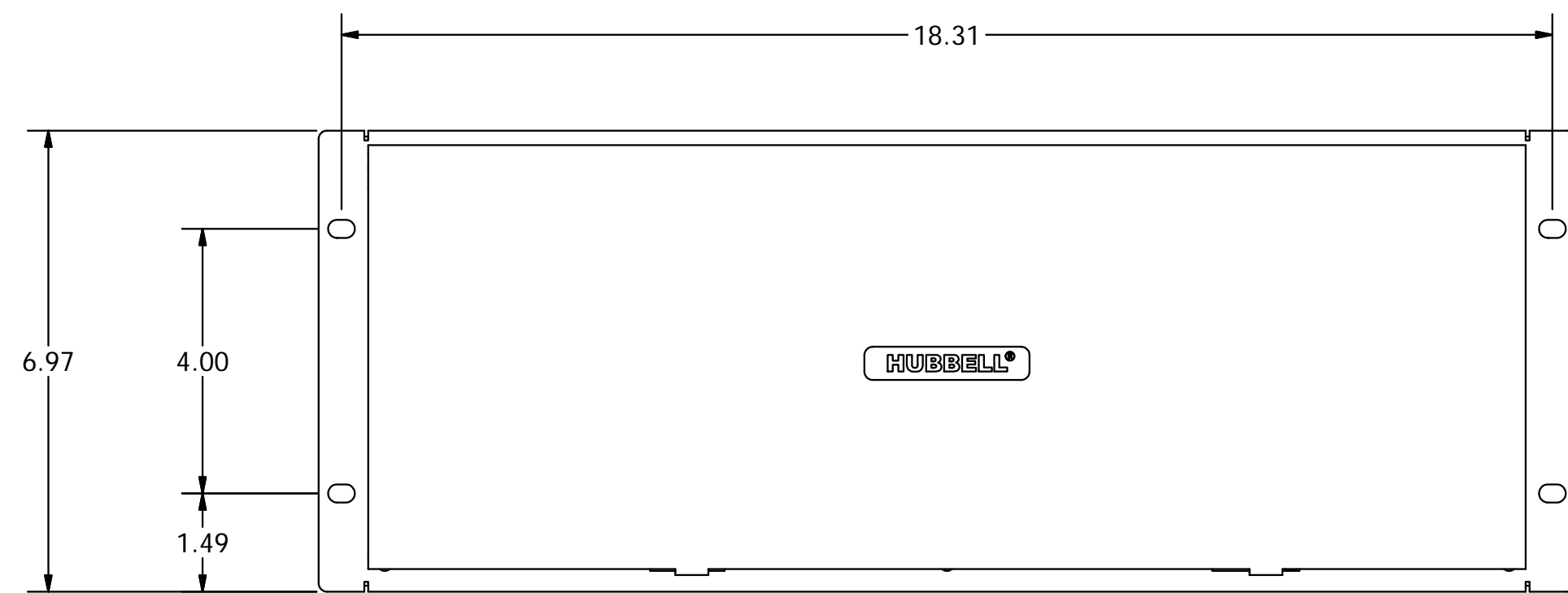
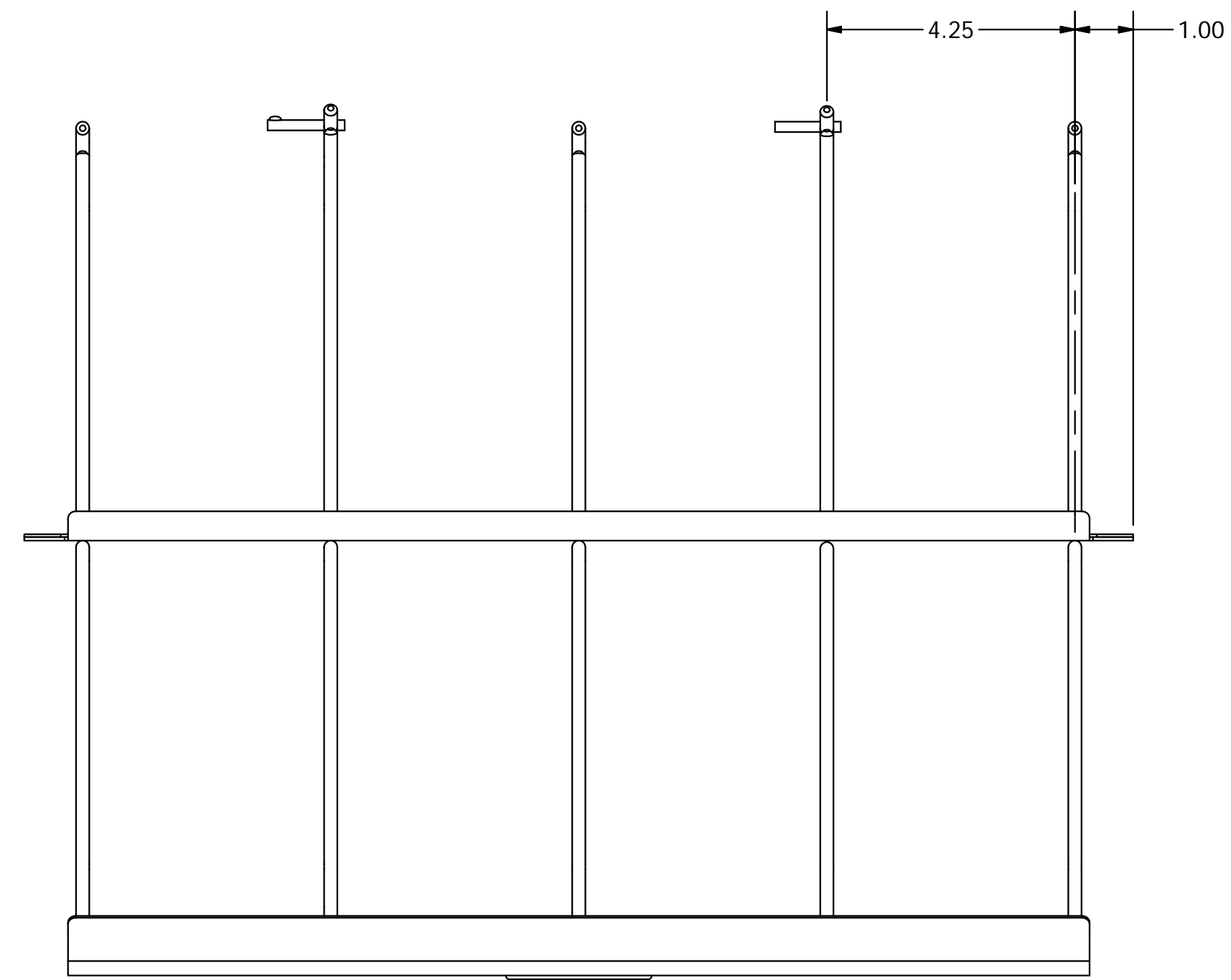
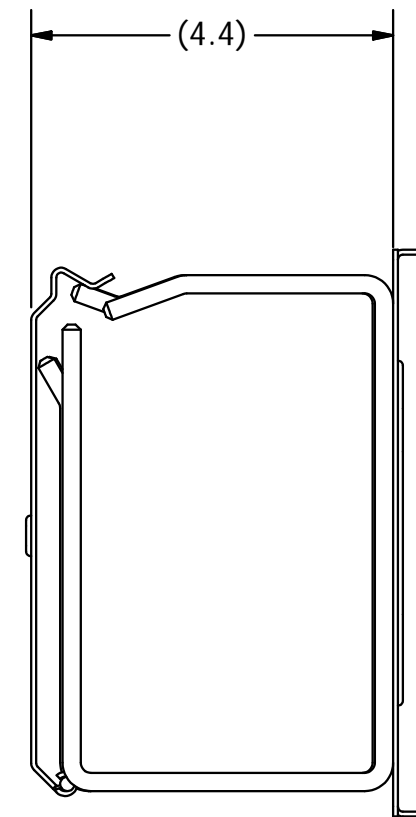


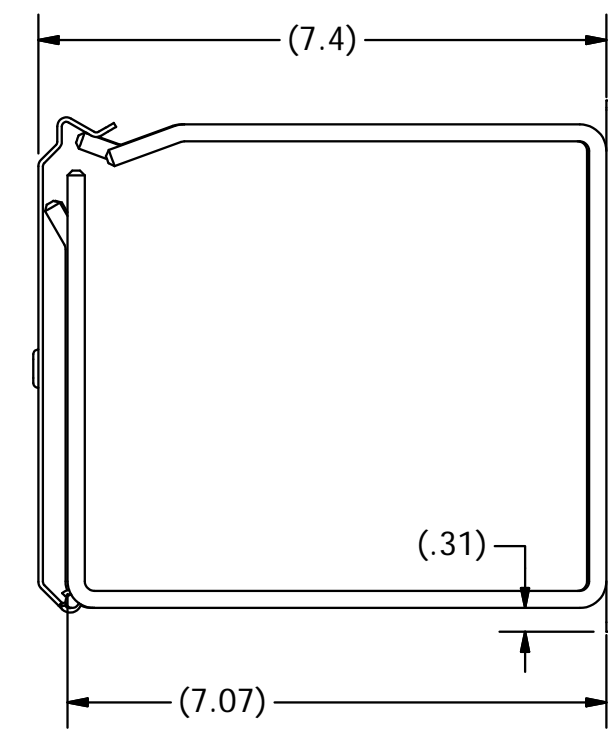
CATALOG	DESCRIPTION	COLOR
HM44	HRZ MGR,4U,4" FR EXT,NO CVR,BLK	BLACK
HM44C	HRZ MGR,4U,4" FR EXT,WITH CVR,BLK	BLACK
HM47C	HRZ MGR,4U,7" FR EXT,WITH CVR,BLK	BLACK
HM477C	HRZ MGR,4U,7"EXT-F,7"EXT-R,WITH CVR,BLK	BLACK



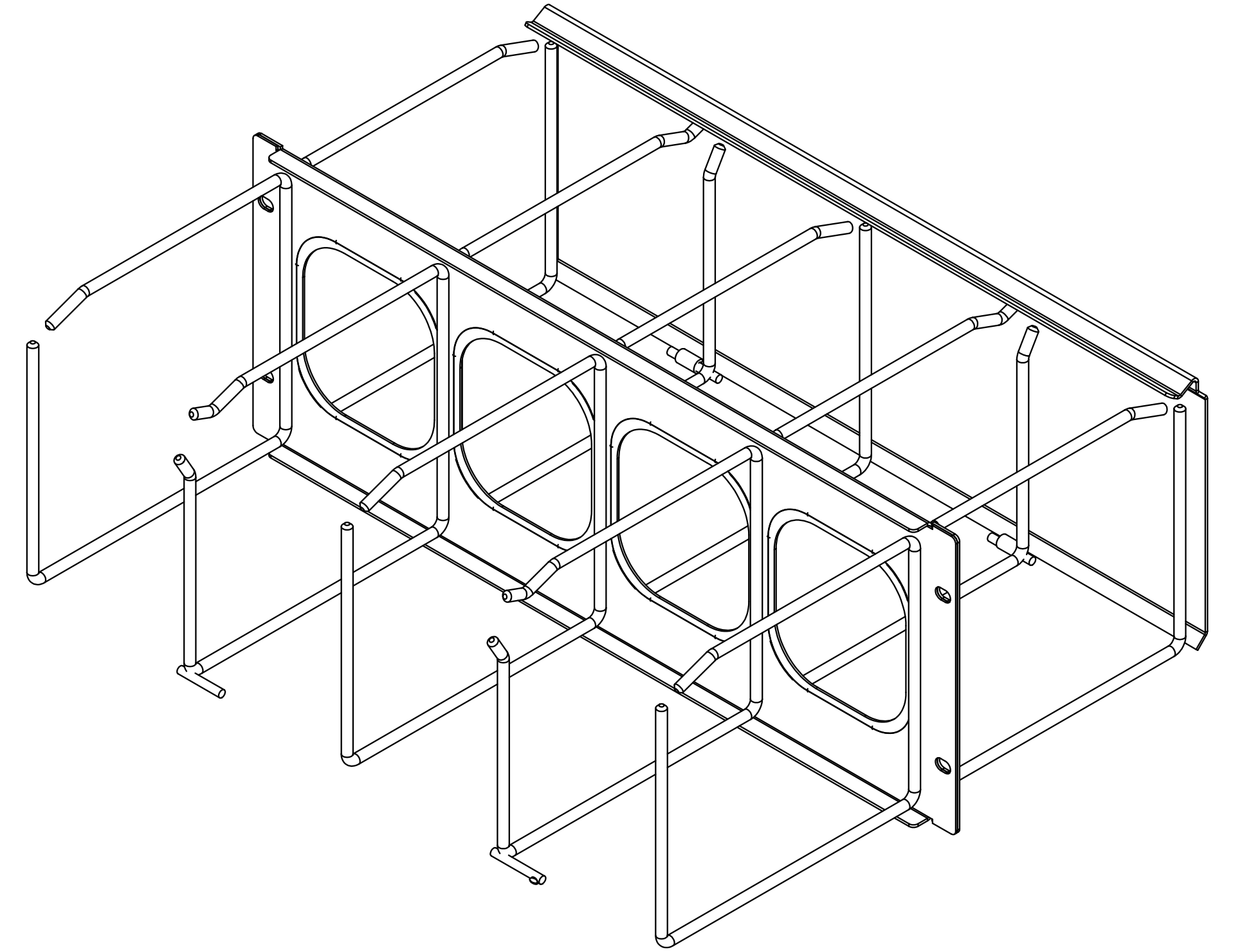
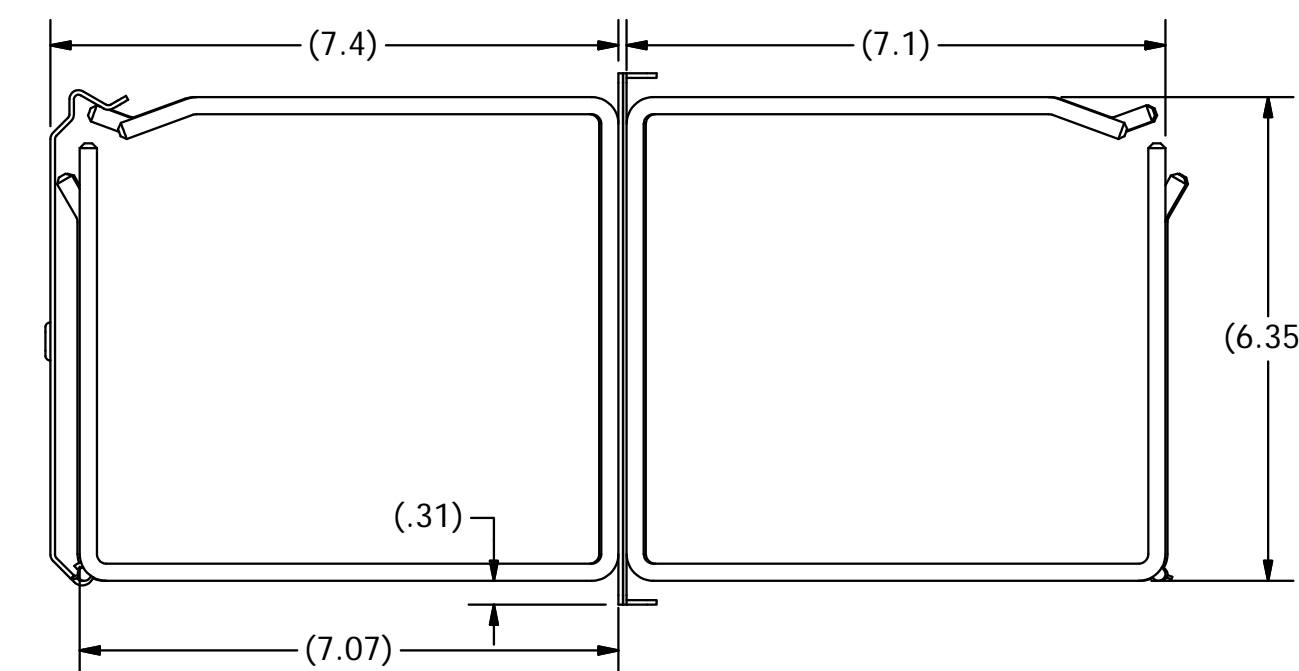
HM44C



HM47C



HM477C



- NOTES:
1. MATERIAL: COLD ROLLED STEEL
 2. FINISH: POWDER COAT, SEE TABLE FOR COLOR
 3. SPECIFICATIONS SUBJECT TO CHANGE WITHOUT NOTICE.

REV.	ECN	DATE	DESCRIPTION	CHG BY	APPD BY
3	19650	6/12/15	ADDED PROVISION FOR REAR COVER	MMA	

DIMENSIONING AND TOLERANCE PER ANSI Y14.5M-1982 UNLESS OTHERWISE SPECIFIED, DIMENSIONS ARE IN INCHES (MM). TOLERANCES: XX = ±.01 (.25) .XXX = ±.005 (.127) .XXXX = ±.0025 (.0635) ANGLE TOL ±1°	PROJECT REFERENCE: 2012-014	Hubbell Premise Wiring HUBBELL INCORPORATED (Delaware) 23 CLARA DRIVE, SUITE 103 MYSTIC, CT 06355
	MATERIAL:	
IN ACCEPTING OUR DRAWINGS, BLUEPRINTS, OR SUPPORTING DOCUMENTATION FOR QUOTATION OR OTHER PURPOSES, YOU AGREE NOT TO DISCLOSE TO OTHERS THE IDEAS, INFORMATION, OR DESIGNS SHOWN HEREIN, AND THAT YOU WILL MAKE NO USE OF SAME WITHOUT PERMISSION	DRAWN BY: D.O'CONNOR 8/11/14	SIZE: D DRAWING NO.: HWS14424C
	CHECKED BY:	REV.: 3
	APPROVED BY:	SCALE: SHEET 1 OF 1