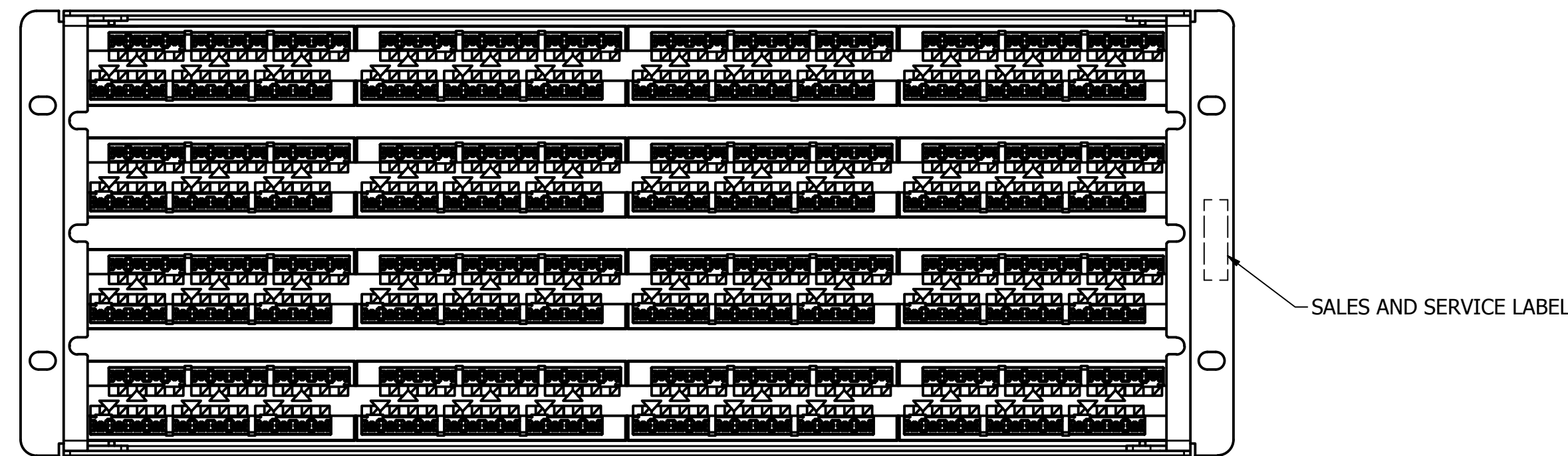
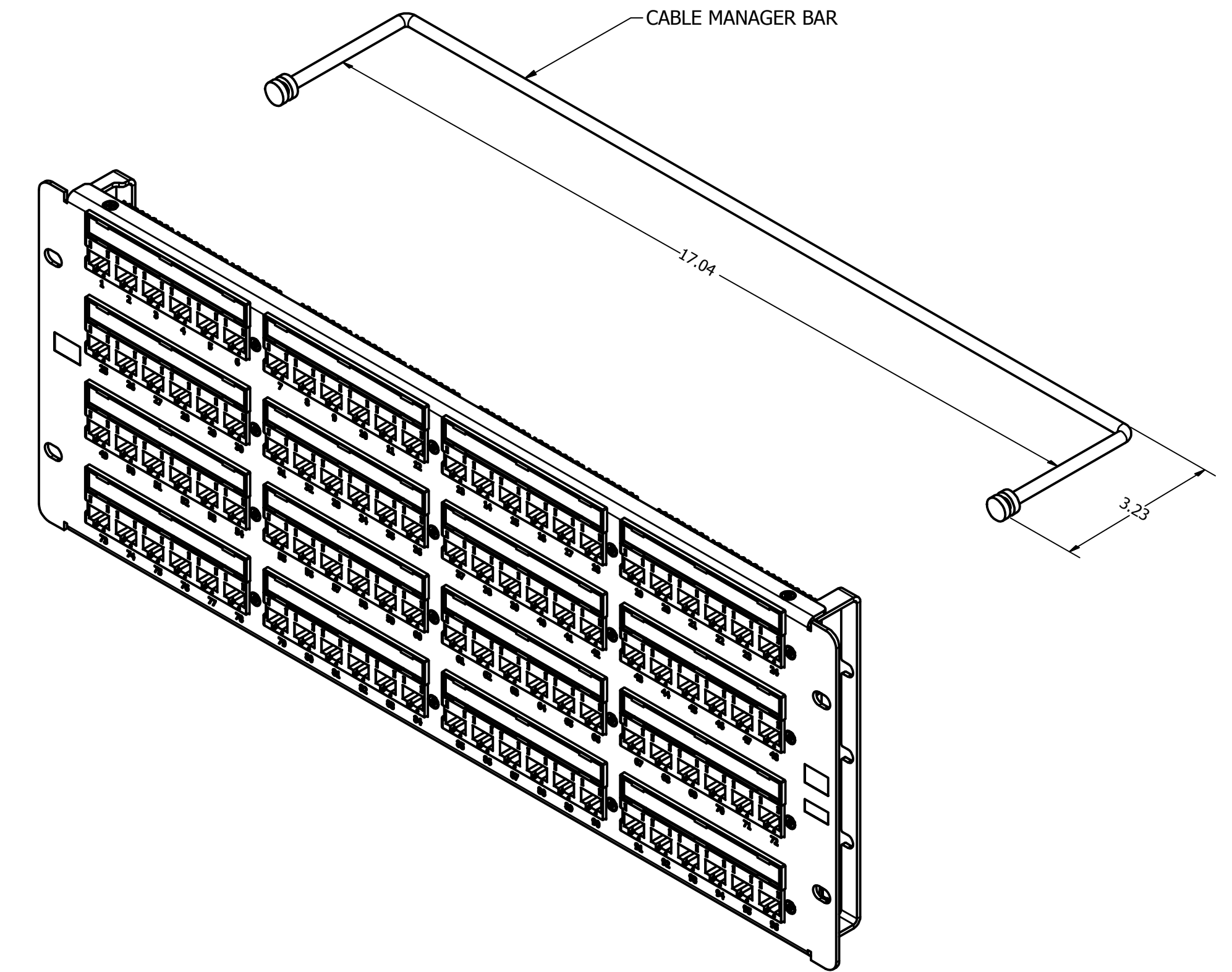
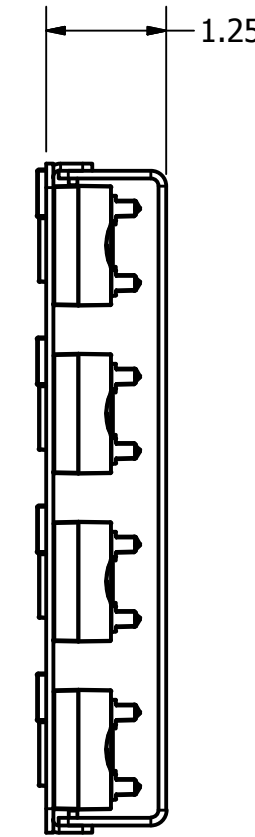
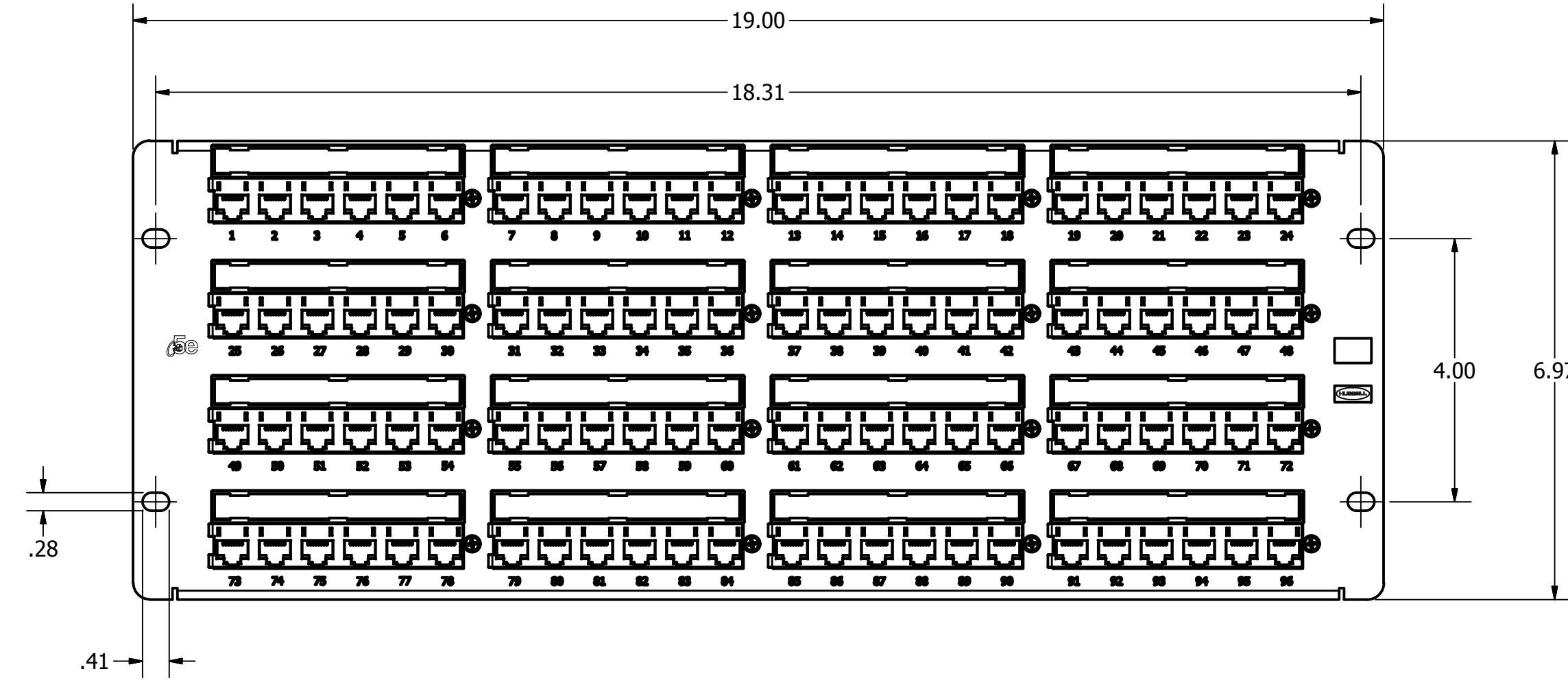
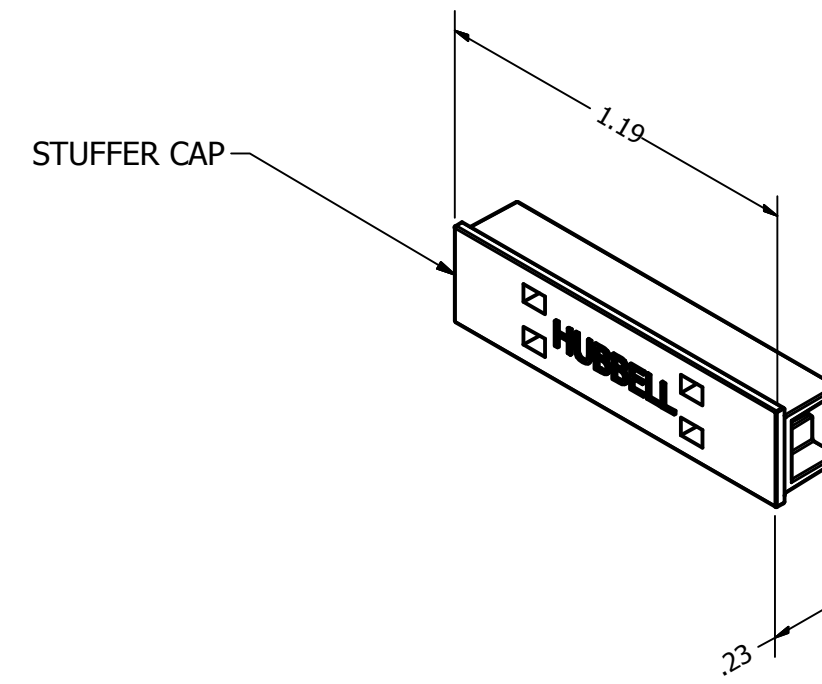


CATALOG	DESCRIPTION
HP5E96	NEXTSPEED CATEGORY 5e, 96 PORT PATCH PANEL, BLACK
HP696	NEXTSPEED CATEGORY 6, 96 PORT PATCH PANEL, BLACK
HP6A96	NEXTSPEED CATEGORY 6A, 96 PORT PATCH PANEL, BLACK



NOTES:

- PRODUCT INCLUDES
 - (1) PATCH PANEL ASSEMBLY
 - (100) STUFFER CAPS
 - (16) LABEL CARDS
 - (16) CLEAR LABEL COVERS
 - (3) CABLE MANAGER BARS
 - (1) HARDWARE PACK
 - (1) INSTRUCTIONS
- SPECIFICATIONS SUBJECT TO CHANGE WITHOUT NOTICE

DIMENSIONING AND TOLERANCE PER ANSI Y14.5M-1982 UNLESS OTHERWISE SPECIFIED, DIMENSIONS ARE IN INCHES (MM). TOLERANCES: XX = ±.01 (.25) .XXX = ±.005 (.127) .XXXX = ±.0025 (.0635) ANGLE TOL ±1°

IN ACCEPTING OUR DRAWINGS, BLUEPRINTS, OR SUPPORTING DOCUMENTATION FOR QUOTATION OR OTHER PURPOSES, YOU AGREE NOT TO DISCLOSE TO OTHERS THE IDEAS, INFORMATION, OR DESIGNS SHOWN HEREIN, AND THAT YOU WILL MAKE NO USE OF SAME WITHOUT PERMISSION

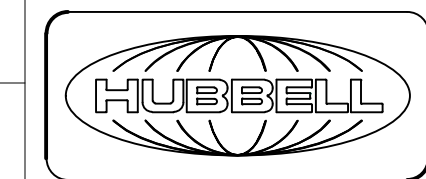
PROJECT REFERENCE:
2013-017

MATERIAL:

DRAWN BY:
D.O'CONNOR 2/11/14

CHECKED BY:

APPROVED BY:



Hubbell Premise Wiring
HUBBELL INCORPORATED (Delaware)
23 CLARA DRIVE, SUITE 103 MYSTIC, CT 06355

TITLE:
96 PORT PATCH PANEL

SIZE: D DRAWING NO.: HWS14171C REV.: 1

SCALE: DNS SHEET 1 OF 1

REV.	ECN	DATE	DESCRIPTION	CHG BY	APPD BY
1	17850	2/11/14	INITIAL RELEASE	DPO	

Created on INVENTOR