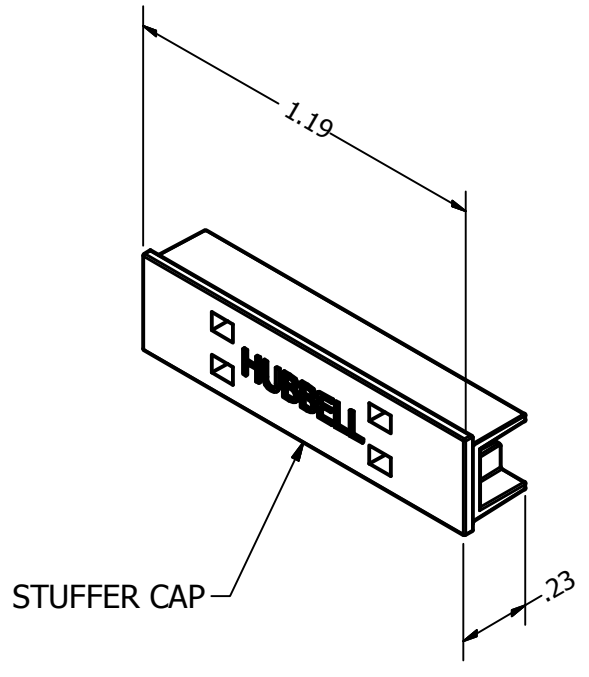
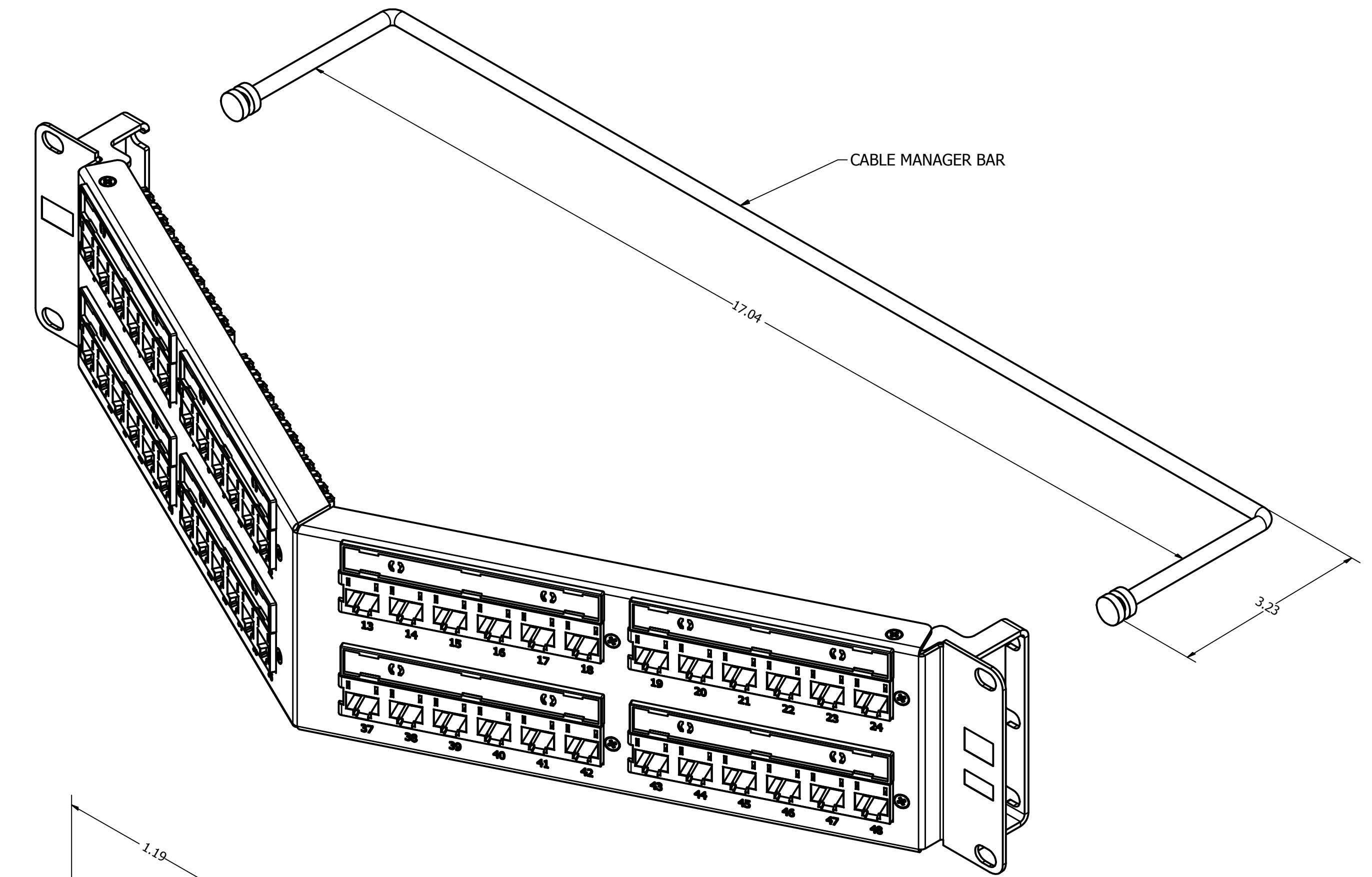
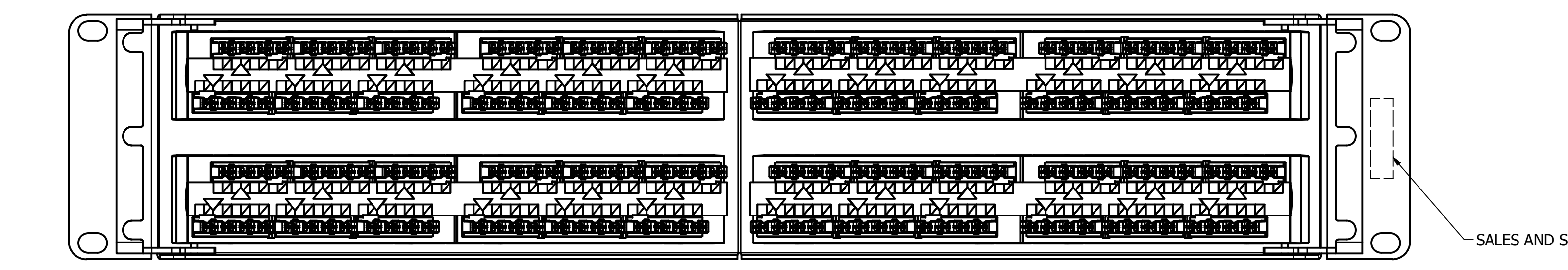
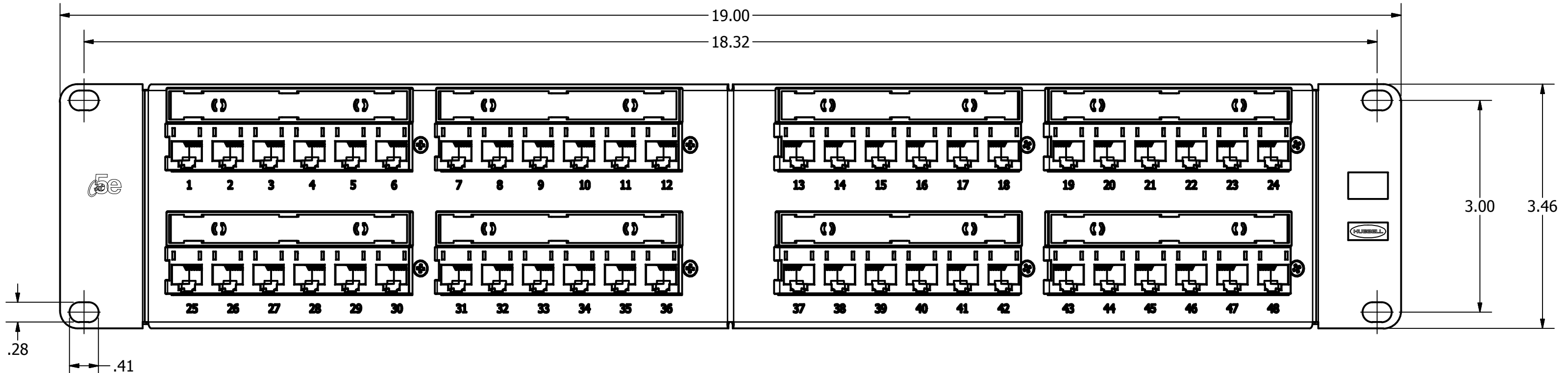
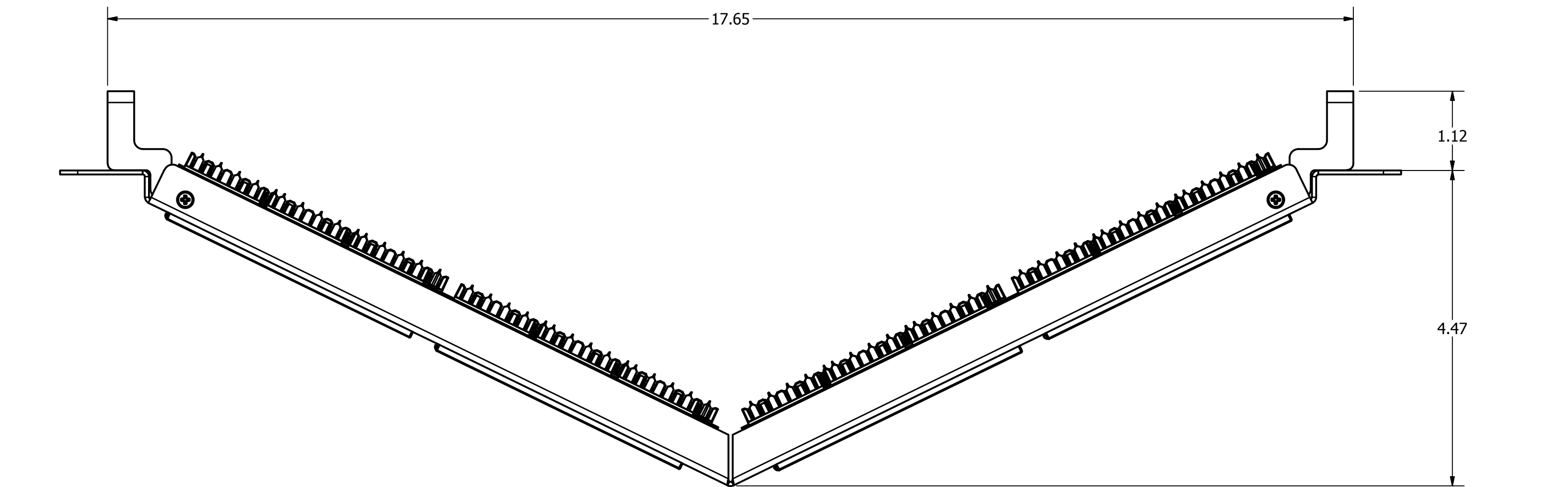


CATALOG	DESCRIPTION
HP5E48A	NEXTSPEED CATEGORY 5e, 48 PORT ANGLED PATCH PANEL, BLACK
HP648A	NEXTSPEED CATEGORY 6, 48 PORT ANGLED PATCH PANEL, BLACK
HP6A48A	NEXTSPEED CATEGORY 6A, 48 PORT ANGLED PATCH PANEL, BLACK



- NOTES:
- PRODUCT INCLUDES
 - (1) PATCH PANEL ASSEMBLY
 - (50) STUFFER CAPS
 - (2) CABLE MANAGER BARS
 - (8) LABEL CARDS
 - (8) CLEAR LABEL COVERS
 - (1) HARDWARE PACK
 - (1) INSTRUCTIONS
 - SPECIFICATIONS SUBJECT TO CHANGE WITHOUT NOTICE

Created on INVENTOR	DIMENSIONING AND TOLERANCE PER ANSI Y14.5M-1982 UNLESS OTHERWISE SPECIFIED, DIMENSIONS ARE IN INCHES (MM). TOLERANCES: XX = ±.01 (.25) .XXX = ±.005 (.127) .XXXX = ±.0025 (.0635) ANGLE TOL ±1°		PROJECT REFERENCE: 2013-017	Hubbell Premise Wiring HUBBELL INCORPORATED (Delaware) 23 CLARA DRIVE, SUITE 103 MYSTIC, CT 06355
	IN ACCEPTING OUR DRAWINGS, BLUEPRINTS, OR SUPPORTING DOCUMENTATION FOR QUOTATION OR OTHER PURPOSES, YOU AGREE NOT TO DISCLOSE TO OTHERS THE IDEAS, INFORMATION, OR DESIGNS SHOWN HEREIN, AND THAT YOU WILL MAKE NO USE OF SAME WITHOUT PERMISSION		MATERIAL:	
		DRAWN BY: D.O'CONNOR 2/11/14	SIZE: D	DRAWING NO.: HWS14353C
		CHECKED BY:	SCALE: DNS	SHEET 1 OF 1
		APPROVED BY:		REV. 1

REV.	ECN	DATE	DESCRIPTION	CHG BY	APPD BY
1	17850	2/11/14	INITIAL RELEASE	DPO	