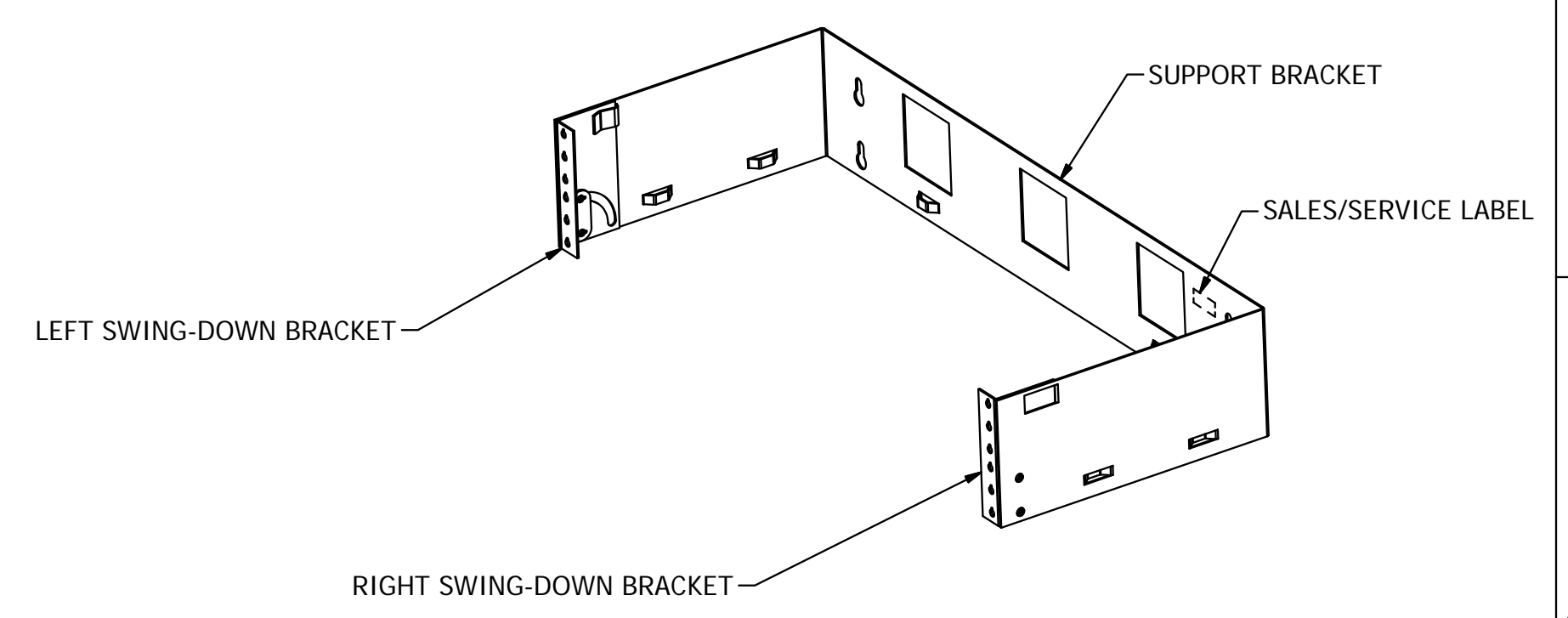
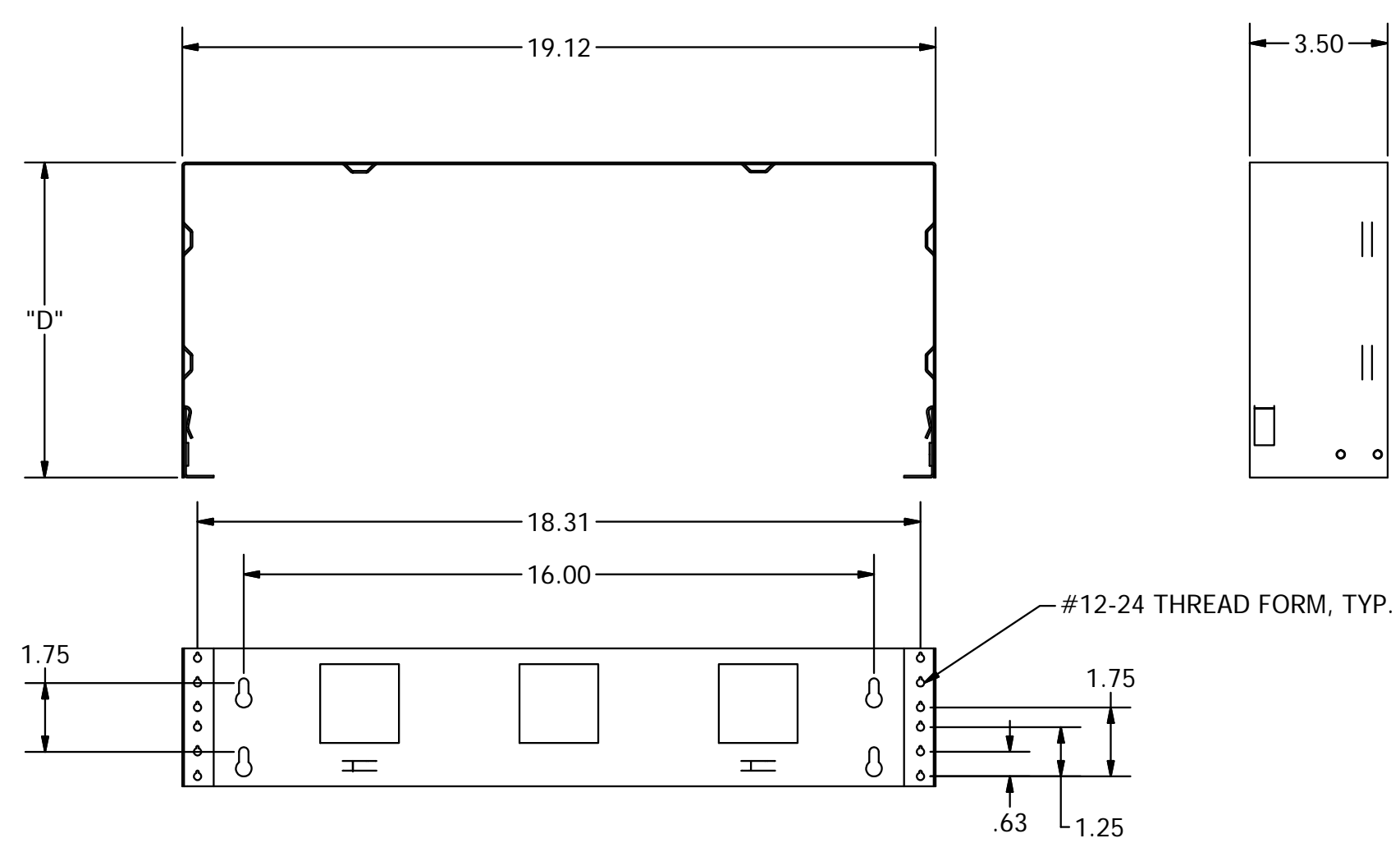


CATALOG NO.	DESCRIPTION	DEPTH "D"
HPWWB2U4	WALL MOUNT BRACKET- 2U X 4" DEEP	4.00 in
HPWWB2U8	WALL MOUNT BRACKET- 2U X 8" DEEP	8.00 in



- NOTES:
1. SURFACE FINISH: BLACK POWDER COAT
 2. SPECIFICATIONS SUBJECT TO CHANGE WITHOUT NOTICE.

REV.	ECN	DATE	DESCRIPTION	CHG BY	APPD BY
1	19466	06/09/14	INITIAL RELEASE	MMA	

Created on INVENTOR

DIMENSIONING AND TOLERANCE PER ANSI Y14.5M-1982
UNLESS OTHERWISE SPECIFIED, DIMENSIONS ARE IN INCHES (MM).
TOLERANCES: XX = ±.01 (.25)
.XXX = ±.005 (.127)
.XXXX = ±.0025 (.0635)
ANGLE TOL ±1°

IN ACCEPTING OUR DRAWINGS, BLUEPRINTS, OR SUPPORTING DOCUMENTATION FOR QUOTATION OR OTHER PURPOSES, YOU AGREE NOT TO DISCLOSE TO OTHERS THE IDEAS, INFORMATION, OR DESIGNS SHOWN HEREIN, AND THAT YOU WILL MAKE NO USE OF SAME WITHOUT PERMISSION

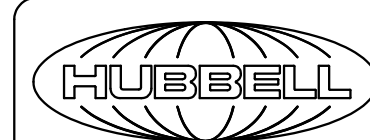
PROJECT REFERENCE:

MATERIAL:
CRS

DRAWN BY:
MABBY 06/06/14

CHECKED BY:

APPROVED BY:

 Hubbell Premise Wiring HUBBELL INCORPORATED (Delaware) 23 CLARA DRIVE, SUITE 103 MYSTIC, CT 06355		TITLE: WALL MOUNT BRACKET 2U	
		SIZE C	DRAWING NO. 11266C
SCALE: N/A		SHEET 1 OF 1	