

CATALOG NO.	DESCRIPTION	FIGURE NO.
HRRP3	RACK ISOLATION PAD FOR HRRPxx RELAY RACK	1
HRRP	RACK ISOLATION PAD FOR 19" W RELAY RACK	2
HRRPW	RACK ISOLATION PAD FOR 23" W RELAY RACK	3

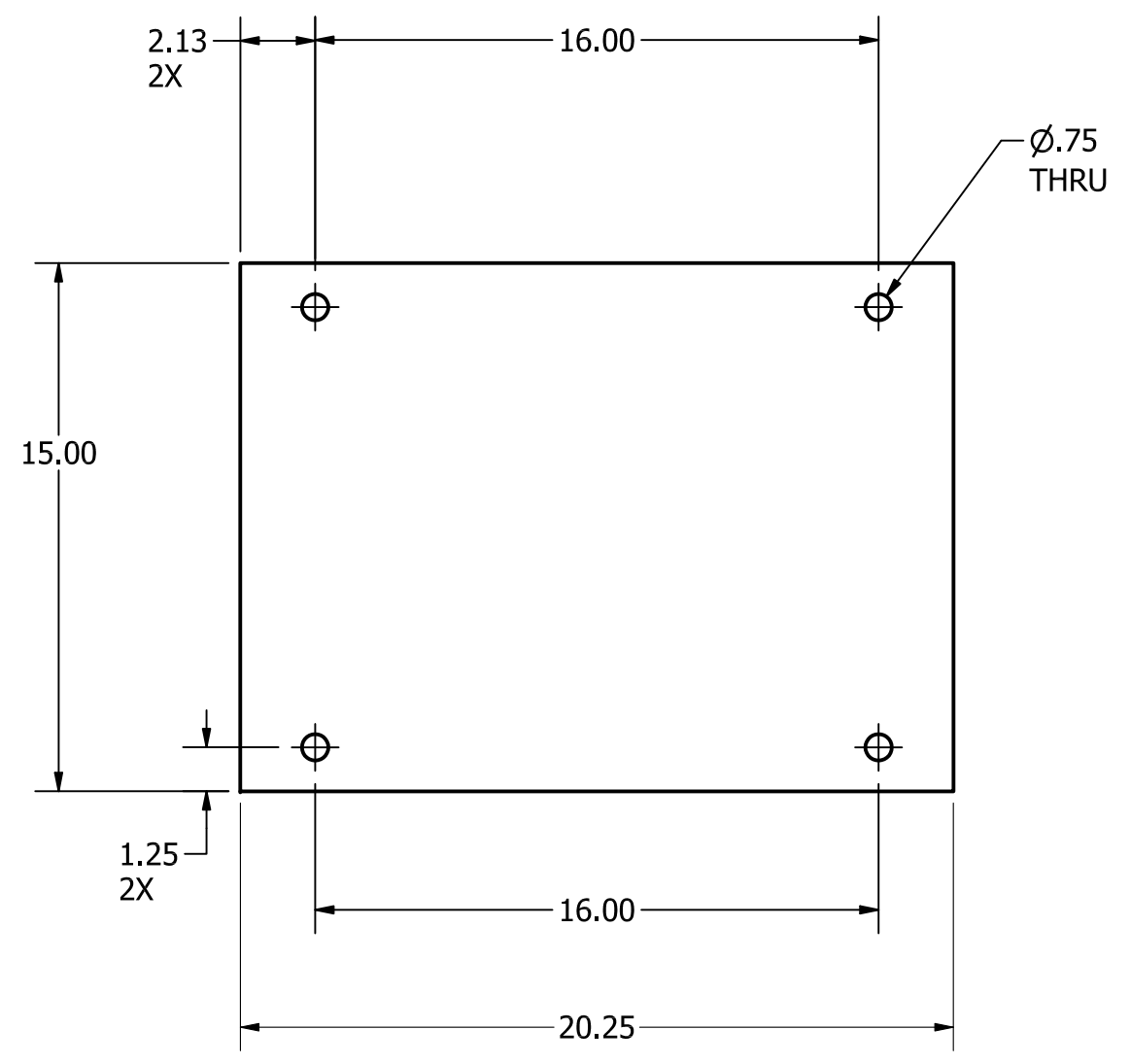


FIGURE 1
HRRP3



FIGURE 2
HRRP

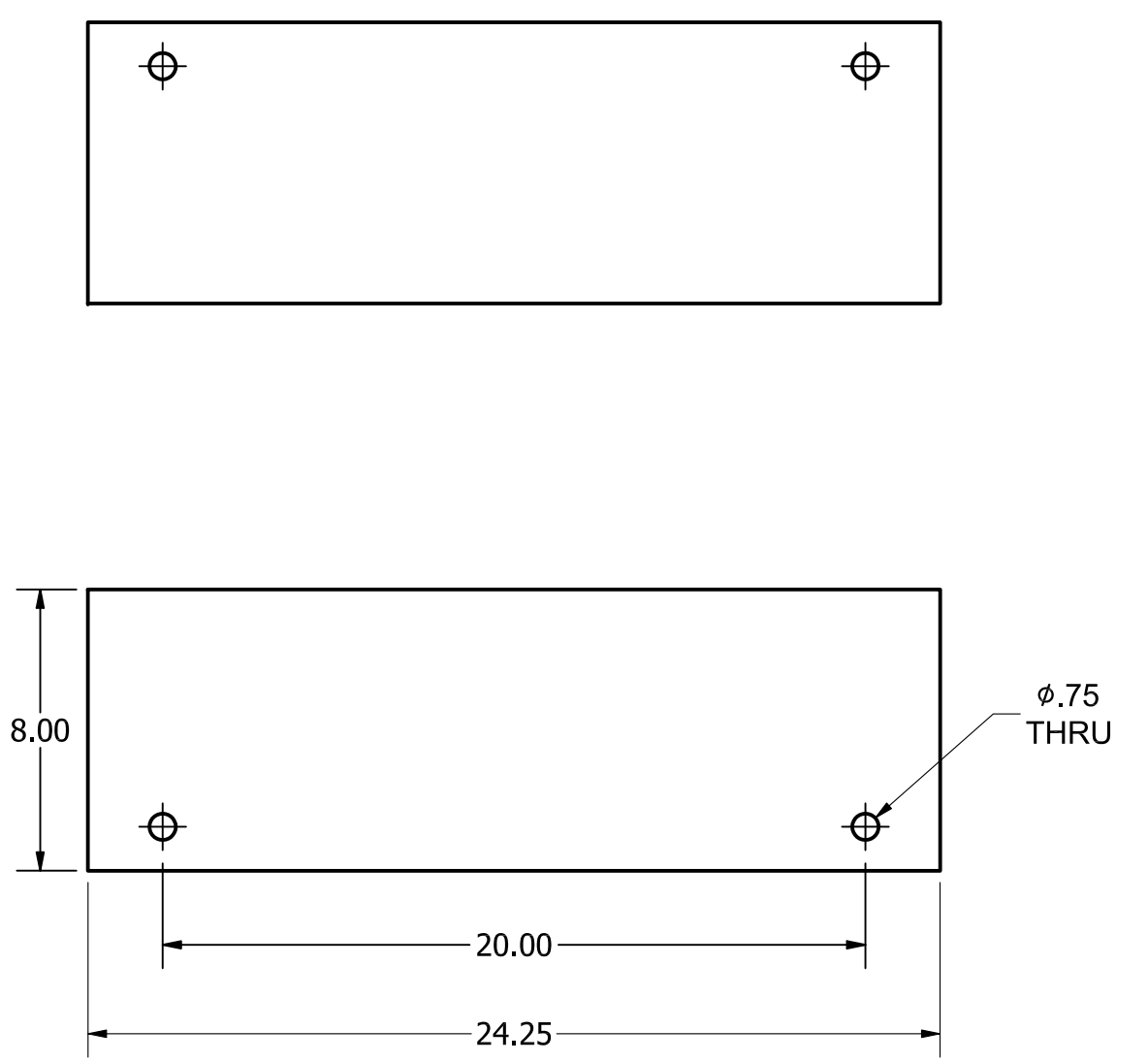
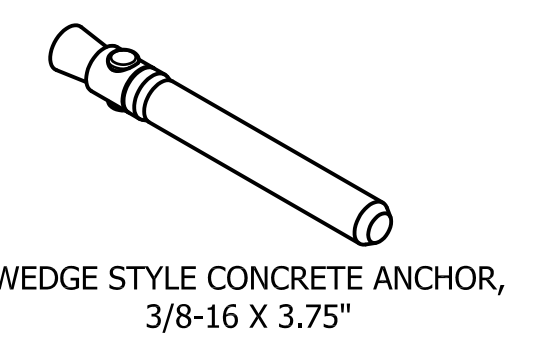
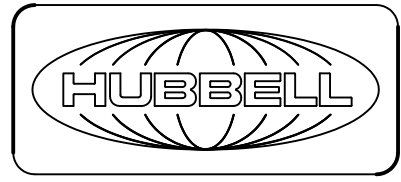


FIGURE 3
HRRPW

NOTES:

- KIT (SEE TABLE FOR CATALOG NUMBER) CONTAINS THE FOLLOWING:
 - (1) ISOLATION PAD SET, SEE TABLE FOR APPROPRIATE FIGURE
 - (4) CONCRETE ANCHOR WITH NUT AND WASHER
 - (4) NYLON HEADED SLEEVE
 - (4) NYLON WASHER
- PAD MATERIAL: POYLESTER FIBERGLASS, 1/16" THK
- COLOR: RED
- USED FOR ISOLATING RELAY RACKS FROM CEMENT FLOOR
- SPECIFICATIONS SUBJECT TO CHANGE WITHOUT PRIOR NOTICE



Created on INVENTOR	DIMENSIONING AND TOLERANCE PER ANSI Y14.5M-1982 UNLESS OTHERWISE SPECIFIED, DIMENSIONS ARE IN INCHES (MM). TOLERANCES.XX = ±.01 (.25).XXX = ±.005 (.127).XXXX = ±.0025 (.0635) ANGLE TOL ±1°		PROJECT REFERENCE: NPD00048		 Hubbell Premise Wiring HUBBELL INCORPORATED (Delaware) 23 CLARA DRIVE, SUITE 103 MYSTIC, CT 06355
	IN ACCEPTING OUR DRAWINGS, BLUEPRINTS, OR SUPPORTING DOCUMENTATION FOR QUOTATION OR OTHER PURPOSES, YOU AGREE NOT TO DISCLOSE TO OTHERS THE IDEAS, INFORMATION, OR DESIGNS SHOWN HEREIN, AND THAT YOU WILL MAKE NO USE OF SAME WITHOUT PERMISSION		MATERIAL: SEE NOTES		
			DRAWN BY: J.RUOT-JACKSON 7/27/16 / DPO		SIZE: C DRAWING NO.: HWS14531C REV.: 1
			CHECKED BY:		SCALE: NTS SHEET 1 OF 1
		APPROVED BY:			

REV.	ECN	DATE	DESCRIPTION	CHG BY	APPD BY
1	21405	07/27/16	INITIAL RELEASE	JJRJ	MMA