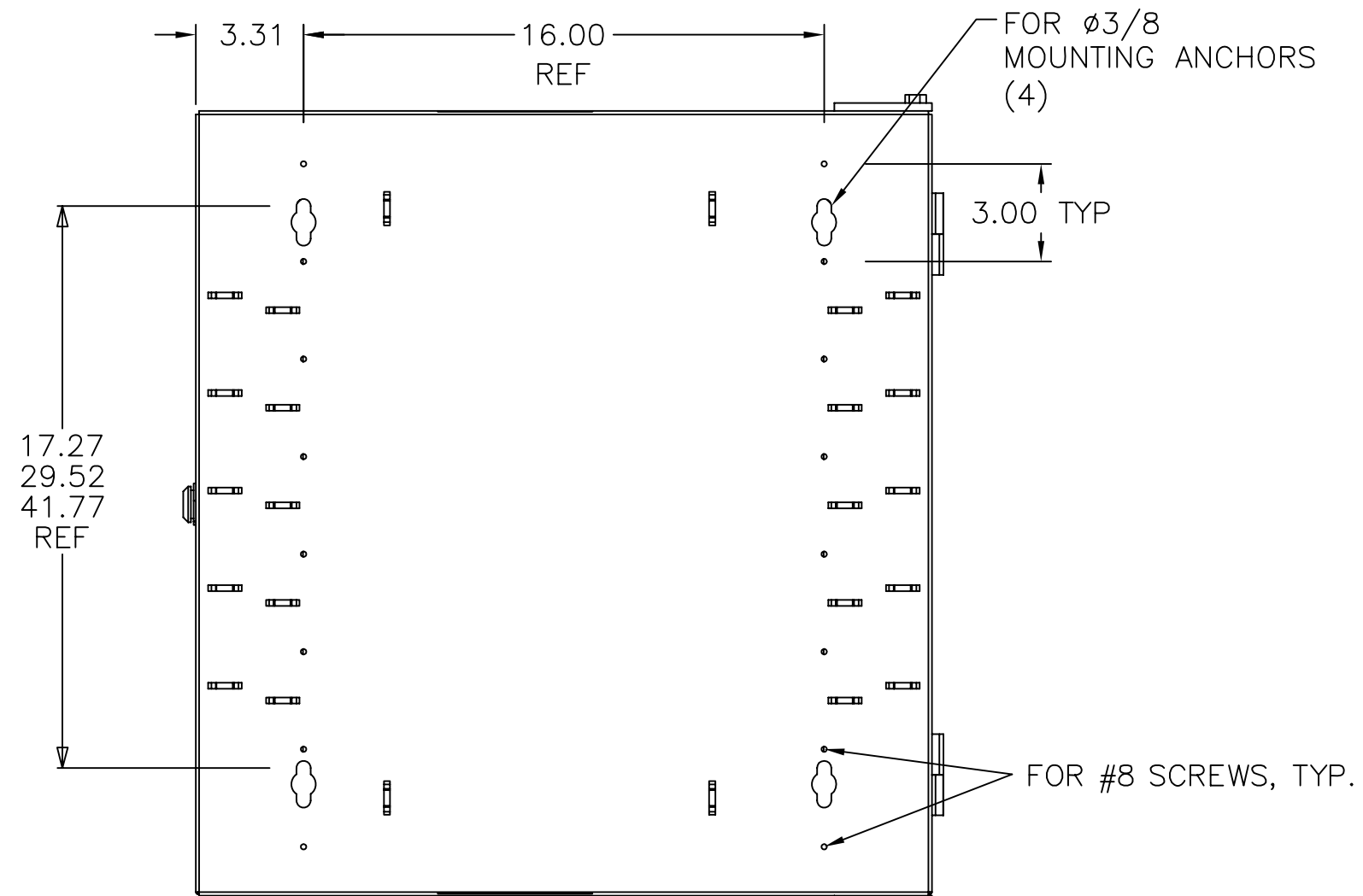
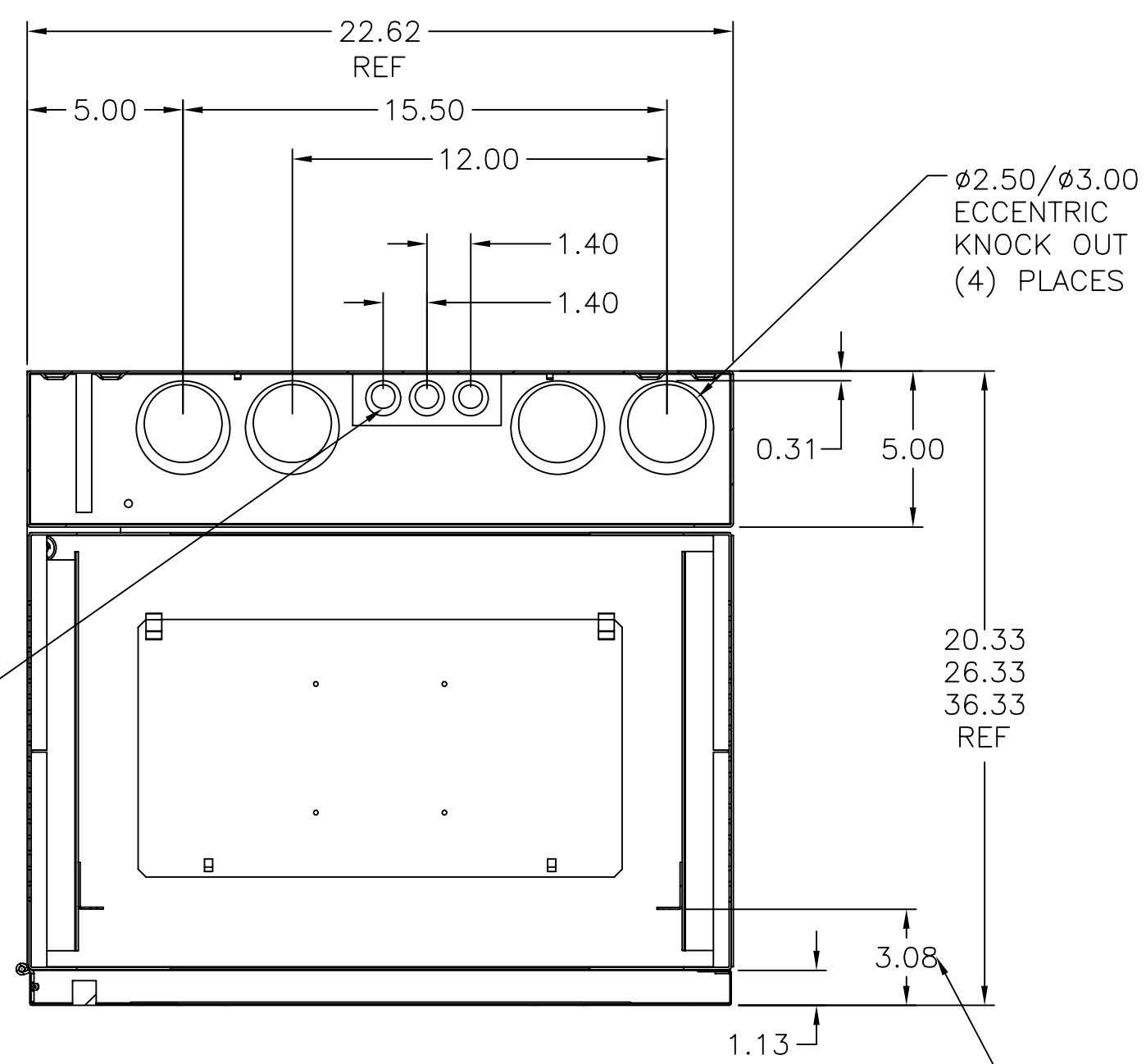


ITEM NO.	DESCRIPTION	QTY.
1	CENTER BODY	1
2	REAR DOOR ASSEMBLY	1
3	FRONT DOOR ASSEMBLY	1
4	19" RACK RAILS	2
5	OPTIONAL WINDOW	1



SECTION A-A

WALL MOUNTING PATTERN

CAN BE ADJUSTED TO 1.65 AT MAXIMUM FORWARD POSITION

CATALOG NUMBER	DESCRIPTION	COLOR	RACK POSITIONS
HSQ24	SUPERQUADCAB 24H x 20D, WINDOW DOOR	BLACK	12
HSQ24W	SUPERQUADCAB 24H x 20D, WINDOW DOOR	WHITE	12
HSQ36	SUPERQUADCAB 36H x 20D, WINDOW DOOR	BLACK	19
HSQ36W	SUPERQUADCAB 36H x 20D, WINDOW DOOR	WHITE	19
HSQ48	SUPERQUADCAB 48H x 20D, WINDOW DOOR	BLACK	26
HSQ48W	SUPERQUADCAB 48H x 20D, WINDOW DOOR	WHITE	26
HSQ24S	SUPERQUADCAB 24H x 20D, SOLID DOOR	BLACK	12
HSQ24SW	SUPERQUADCAB 24H x 20D, SOLID DOOR	WHITE	12
HSQ36S	SUPERQUADCAB 36H x 20D, SOLID DOOR	BLACK	19
HSQ36SW	SUPERQUADCAB 36H x 20D, SOLID DOOR	WHITE	19
HSQ48S	SUPERQUADCAB 48H x 20D, SOLID DOOR	BLACK	26
HSQ48SW	SUPERQUADCAB 48H x 20D, SOLID DOOR	WHITE	26
HSQ2426	SUPERQUADCAB 24H x 26D, WINDOW DOOR	BLACK	12
HSQ2426W	SUPERQUADCAB 24H x 26D, WINDOW DOOR	WHITE	12
HSQ3626	SUPERQUADCAB 36H x 26D, WINDOW DOOR	BLACK	19
HSQ3626W	SUPERQUADCAB 36H x 26D, WINDOW DOOR	WHITE	19
HSQ4826	SUPERQUADCAB 48H x 26D, WINDOW DOOR	BLACK	26
HSQ4826W	SUPERQUADCAB 48H x 26D, WINDOW DOOR	WHITE	26
HSQ24S26	SUPERQUADCAB 24H x 26D, SOLID DOOR	BLACK	12
HSQ24S26W	SUPERQUADCAB 24H x 26D, SOLID DOOR	WHITE	12
HSQ36S26	SUPERQUADCAB 36H x 26D, SOLID DOOR	BLACK	19
HSQ36S26W	SUPERQUADCAB 36H x 26D, SOLID DOOR	WHITE	19
HSQ48S26	SUPERQUADCAB 48H x 26D, SOLID DOOR	BLACK	26
HSQ48S26W	SUPERQUADCAB 48H x 26D, SOLID DOOR	WHITE	26
HSQ2436	SUPERQUADCAB 24H x 36D, WINDOW DOOR	BLACK	12
HSQ2436W	SUPERQUADCAB 24H x 36D, WINDOW DOOR	WHITE	12
HSQ3636	SUPERQUADCAB 36H x 36D, WINDOW DOOR	BLACK	19
HSQ3636W	SUPERQUADCAB 36H x 36D, WINDOW DOOR	WHITE	19
HSQ4836	SUPERQUADCAB 48H x 36D, WINDOW DOOR	BLACK	26
HSQ4836W	SUPERQUADCAB 48H x 36D, WINDOW DOOR	WHITE	26
HSQ24S36	SUPERQUADCAB 24H x 36D, SOLID DOOR	BLACK	12
HSQ24S36W	SUPERQUADCAB 24H x 36D, SOLID DOOR	WHITE	12
HSQ36S36	SUPERQUADCAB 36H x 36D, SOLID DOOR	BLACK	19
HSQ36S36W	SUPERQUADCAB 36H x 36D, SOLID DOOR	WHITE	19
HSQ48S36	SUPERQUADCAB 48H x 36D, SOLID DOOR	BLACK	26
HSQ48S36W	SUPERQUADCAB 48H x 36D, SOLID DOOR	WHITE	26

D

D

C

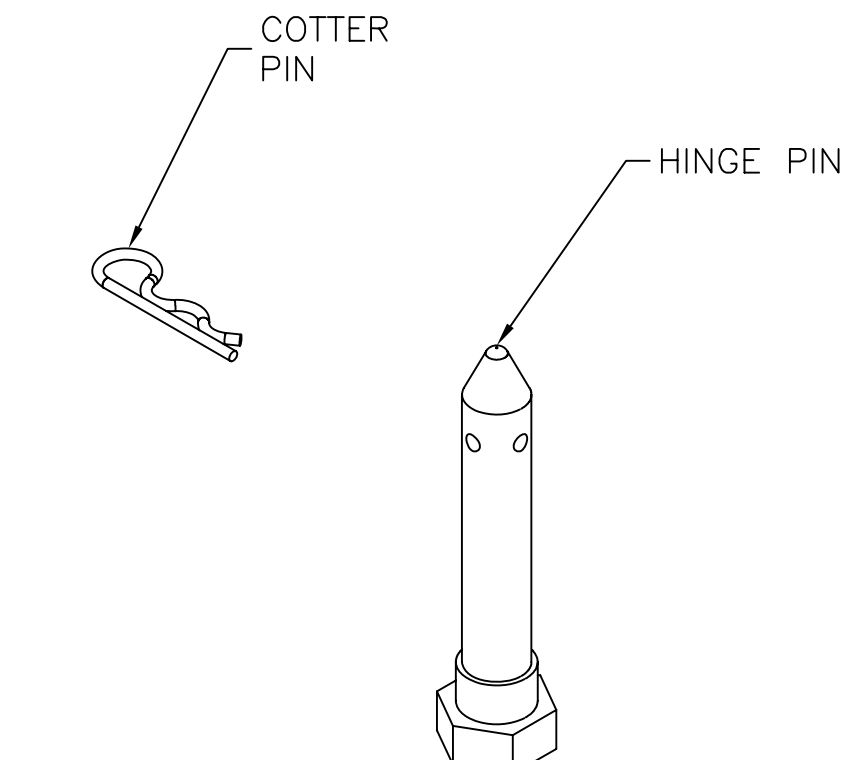
C

B

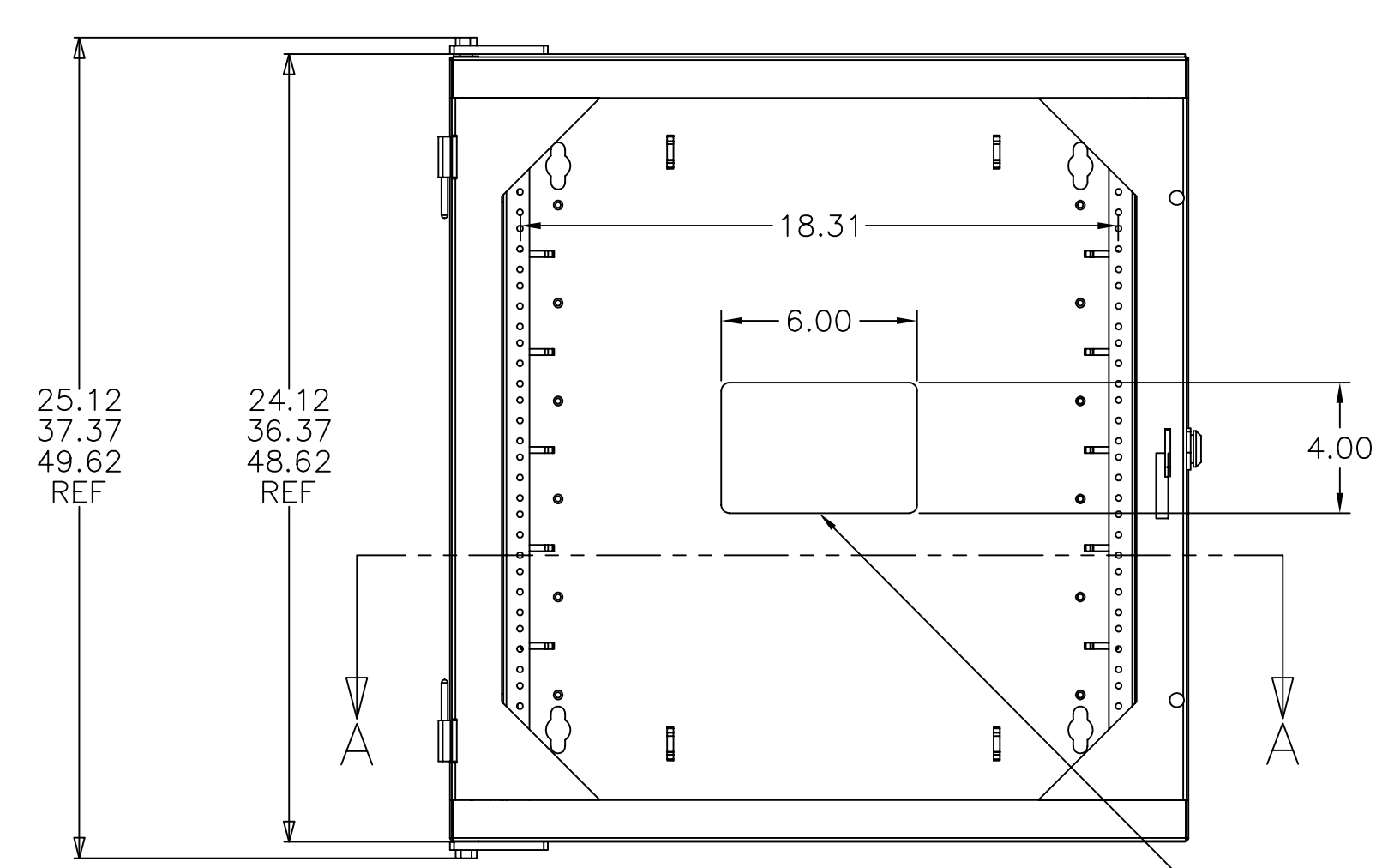
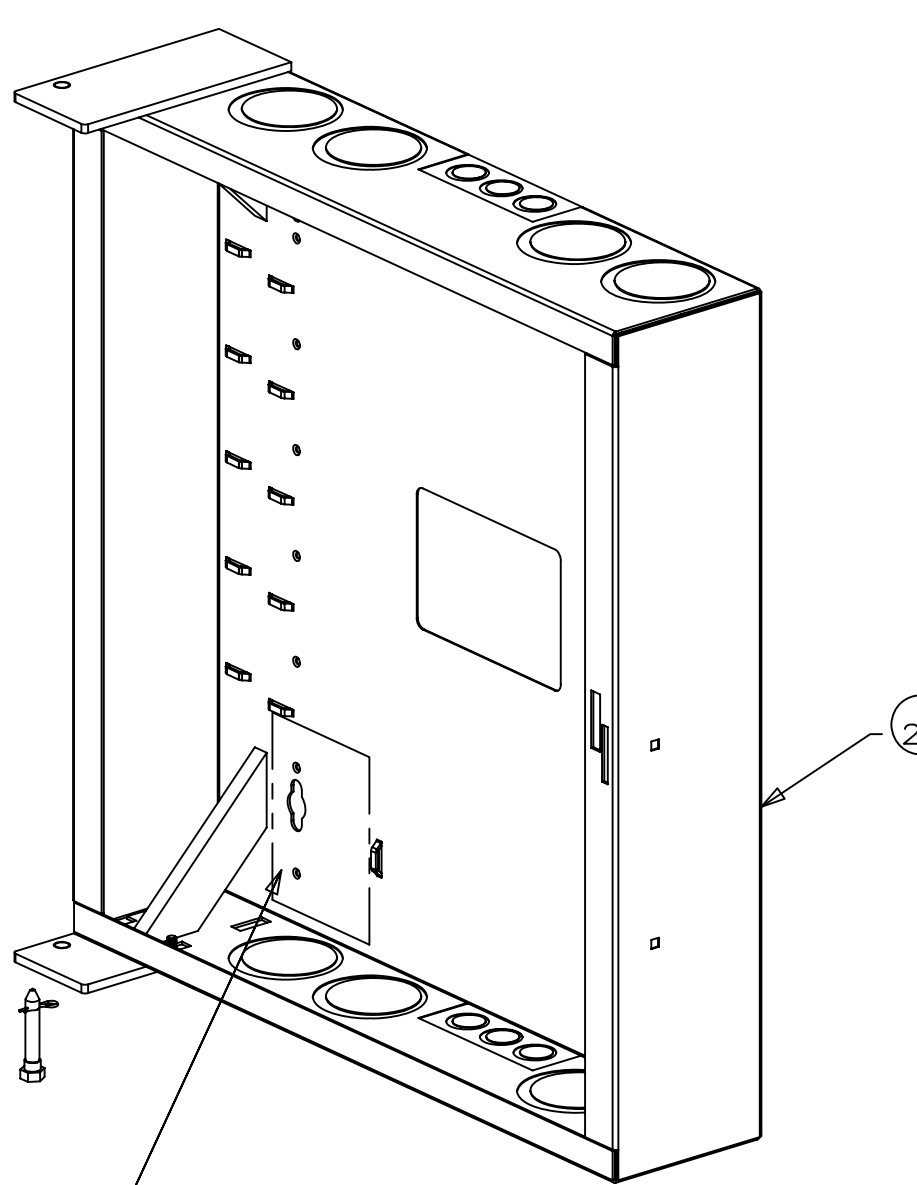
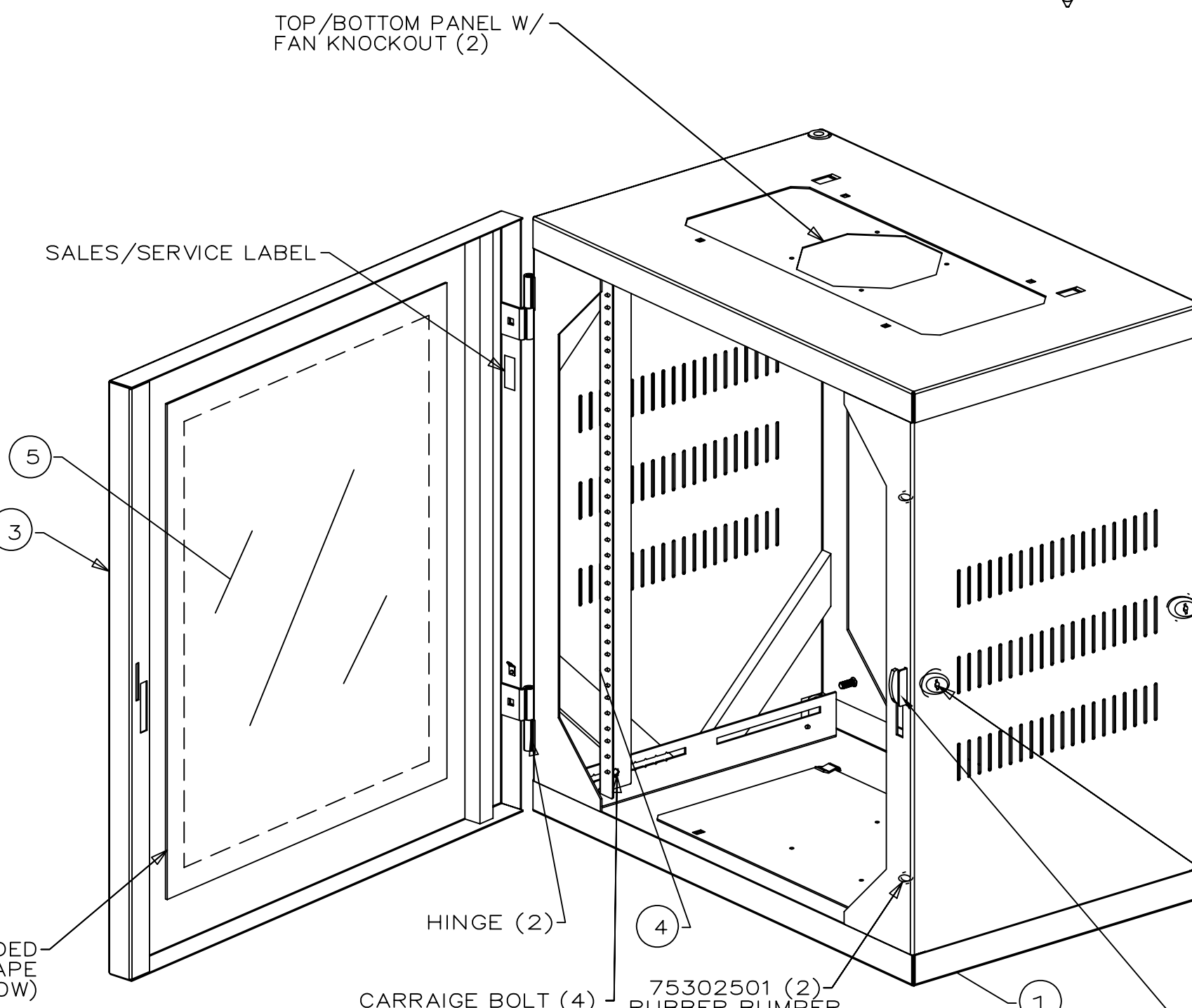
B

A

A



ø.75/ø1.13 ECCENTRIC KNOCK OUT (6) PLACES



FRONT VIEW (FRONT DOOR NOT SHOWN)

- NOTES:
- FOLLOWING ITEMS ARE SHIPPED UNASSEMBLED
 - REAR DOOR
 - HINGE PIN WITH COTTER PIN(2)
 - KEYS
 - INSTRUCTION SHEET TAPED ON THE INSIDE WALL OF THE REAR DOOR
 - 19" MOUNTING RAILS ARE EIA 310-D COMPLIANT: TAPPED #12-24 UNIVERSAL SPACING
 - FRONT DOOR FACTORY ASSEMBLED TO CENTER BODY
 - 400lb LOAD CAPACITY
 - SUGGESTED SIZE FOR WALL MOUNTING HARDWARE IS 3/8 HARDWARE OR #8 SCREWS
 - SPECIFICATION SUBJECT TO CHANGE WITHOUT NOTICE

REV.	ECN	DATE	DESCRIPTION	CHG BY	APPD BY
D	6134	06/18/07	UPDATED NOTE CALLOUT	MMA	MMA

Created on AUTOCAD	DIMENSIONING AND TOLERANCE PER ANSI Y14.5M-1982 UNLESS OTHERWISE SPECIFIED, DIMENSIONS ARE IN INCHES (MM). TOLERANCES .X = ±.03 (.8) .XX = ±.02 (.4) .XXX = ±.010 (.25) ANGLE TOL ±1°	PROJECT REFERENCE:	Hubbell Premise Wiring HUBBELL INCORPORATED (Delaware) 14 Lord's Hill Road, Stonington, Connecticut 06378
	IN ACCEPTING OUR DRAWINGS, BLUEPRINTS, OR SUPPORTING DOCUMENTATION FOR QUOTATION OR OTHER PURPOSES, YOU AGREE NOT TO DISCLOSE TO OTHERS THE IDEAS, INFORMATION, OR DESIGNS SHOWN HEREIN, AND THAT YOU WILL MAKE NO USE OF SAME WITHOUT PERMISSION	MATERIAL:	
		DRAWN BY: GLEN P. EIGO 04/5/04	SIZE: D DRAWING NO. C11988 REV. D
		CHECKED BY:	SCALE: N/A SHEET 1 OF 1
		APPROVED BY:	