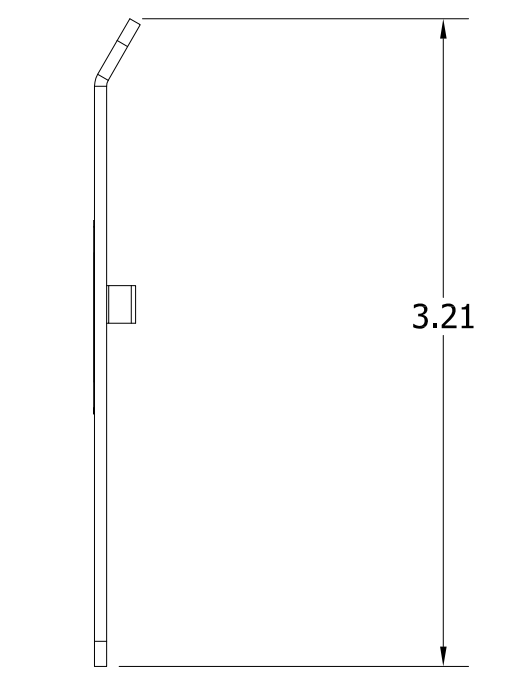
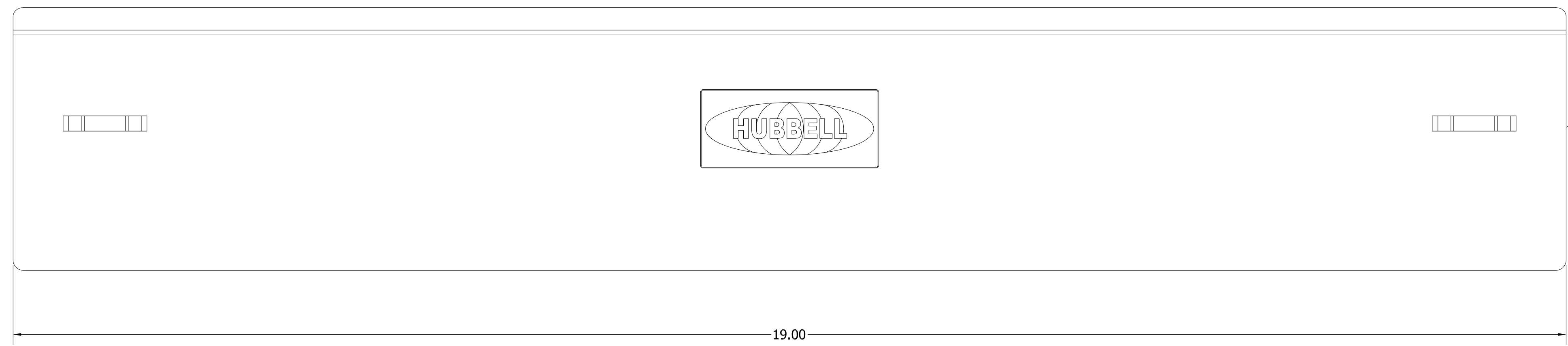
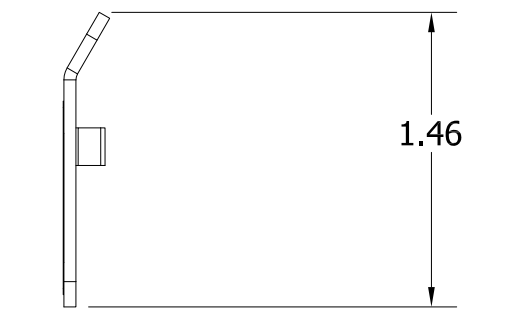
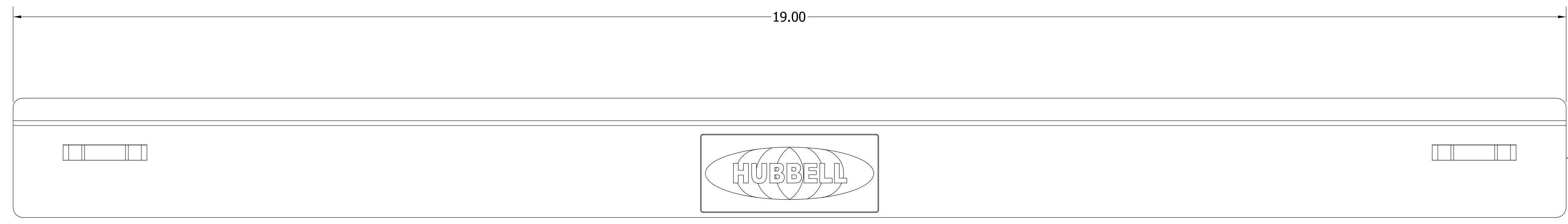


CATALOG	DESCRIPTION
HS1C	1U HORIZONTAL CABLE ORGANIZER, COVER
HS2C	2U HORIZONTAL CABLE ORGANIZER, COVER



- NOTES:
1. FINISH: BLACK POWDER COAT
 2. MATERIAL: 16Ga. CRS
 3. SPECIFICATIONS SUBJECT TO CHANGE WITH OUT NOTICE.

REV.	ECN	DATE	DESCRIPTION	CHG BY	APPD BY
2	19486	7/17/14	REVISED FLANGE	DPO	

Created on INVENTOR

DIMENSIONING AND TOLERANCE PER ANSI Y14.5M-1982, UNLESS OTHERWISE SPECIFIED, DIMENSIONS ARE IN INCHES (MM). TOLERANCES: XX = ±.01 (.25) .XXX = ±.005 (.127) .XXXX = ±.0025 (.0635) ANGLE TOL ±1°

IN ACCEPTING OUR DRAWINGS, BLUEPRINTS, OR SUPPORTING DOCUMENTATION FOR QUOTATION OR OTHER PURPOSES, YOU AGREE NOT TO DISCLOSE TO OTHERS THE IDEAS, INFORMATION, OR DESIGNS SHOWN HEREIN, AND THAT YOU WILL MAKE NO USE OF SAME WITHOUT PERMISSION

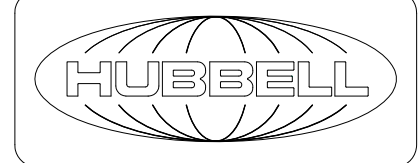
PROJECT REFERENCE:
2012-014

MATERIAL:

DRAWN BY:
D.O'CONNOR 5/15/14

CHECKED BY:

APPROVED BY:

		Hubbell Premise Wiring HUBBELL INCORPORATED (Delaware) 23 CLARA DRIVE, SUITE 103 MYSTIC, CT 06355	
		TITLE: 1U & 2U HORIZONTAL ORGANIZER COVER	
SIZE	DRAWING NO.	REV.	
D	HWS14420C	2	
SCALE: NST		SHEET 1 OF 1	