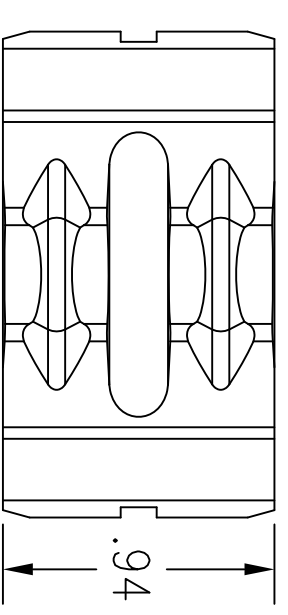
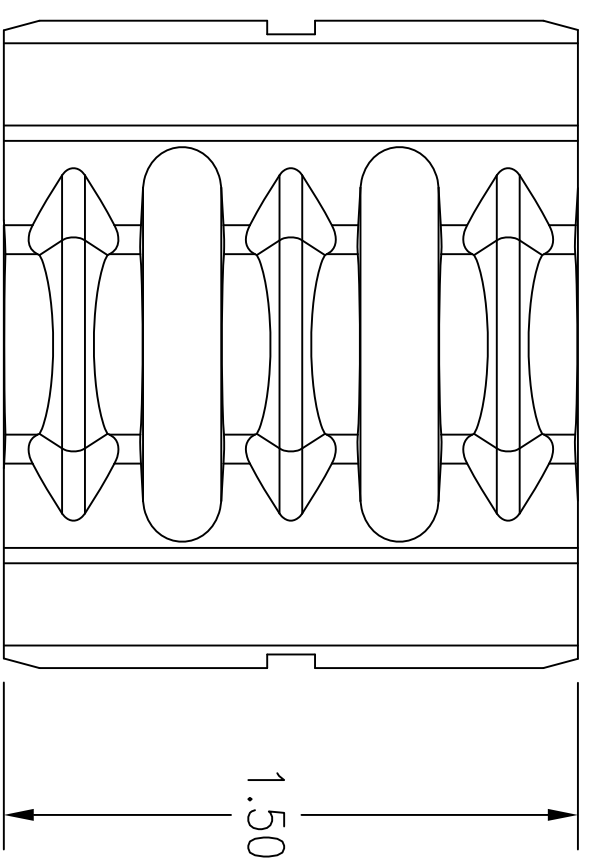


HPW CAT. NO.	FIGURE NUMBER	DIE GROOVE	DIE INFO	COLOR CODE	USE ON CONNECTORS	NO. OF CRIMPS	INSTALLATION TOOLING USING DIES
HUC25	2	14M	DIE SET	ORANGE	HYC25L12	1	HY750, HBAT750
HUC1	2	13M	DIE SET	BLACK	HYC1L12	1	
HUC2	1	12M	DIE SET	PINK	HYC2L12	1	
HUC4	1	10M	DIE SET	BROWN	HYC4L12	1	



- NOTES:
1. KIT CONTAINS ONE DIE SET.
 2. MATERIAL: STAINLESS STEEL
 3. SPECIFICATIONS SUBJECT TO CHANGE WITHOUT NOTICE.

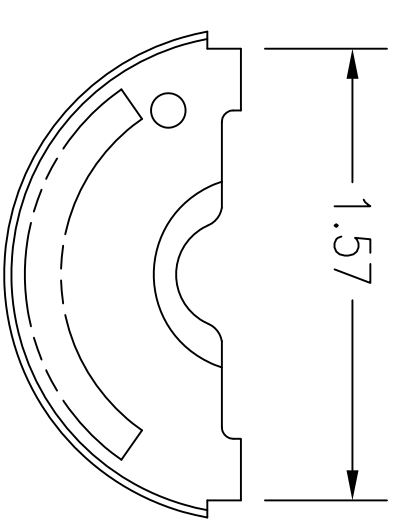
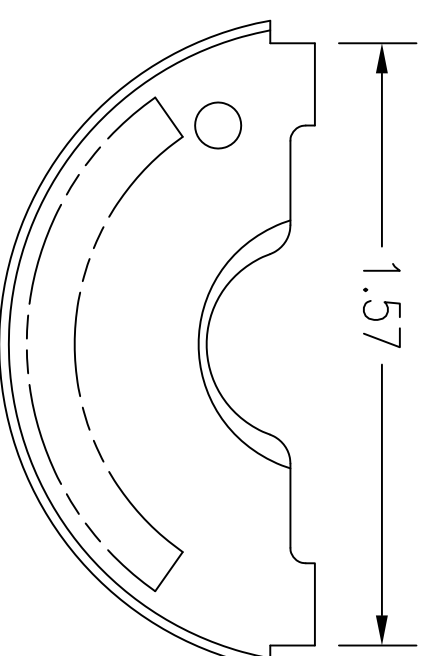


FIG 2

FIG 1

REV.	ECN	DATE	DESCRIPTION	CHG BY	APPD BY
1	18024	12/10/12	INITIAL RELEASE	MMA	

Created on AUTOCAD

DIMENSIONING AND TOLERANCE PER ANSI Y14.5M-1982 UNLESS OTHERWISE SPECIFIED, DIMENSIONS ARE IN INCHES (MM). TOLERANCES
 .XX = ±.01 (.25)
 .XXX = ±.005 (.127)
 .XXXX = ±.0025 (.0635)
 ANGLE TOL ±1°

PROJECT REFERENCE: 2011-041

MATERIAL: SEE NOTES

DRAWN BY: C. GRIBBLE 10/9/12
CHECKED BY:
APPROVED BY:

Hubbell Premise Wiring
 HUBBELL INCORPORATED (Delaware)
 23 CLARA DRIVE, SUITE 103 MYSTIC, CT 06355

TITLE: DIE SET, VARIOUS U DIE SET FAMILY

SIZE: C **DRAWING NO.:** HWS14189C **REV.:** 1
SCALE: N/A **SHEET:** 1 OF 1