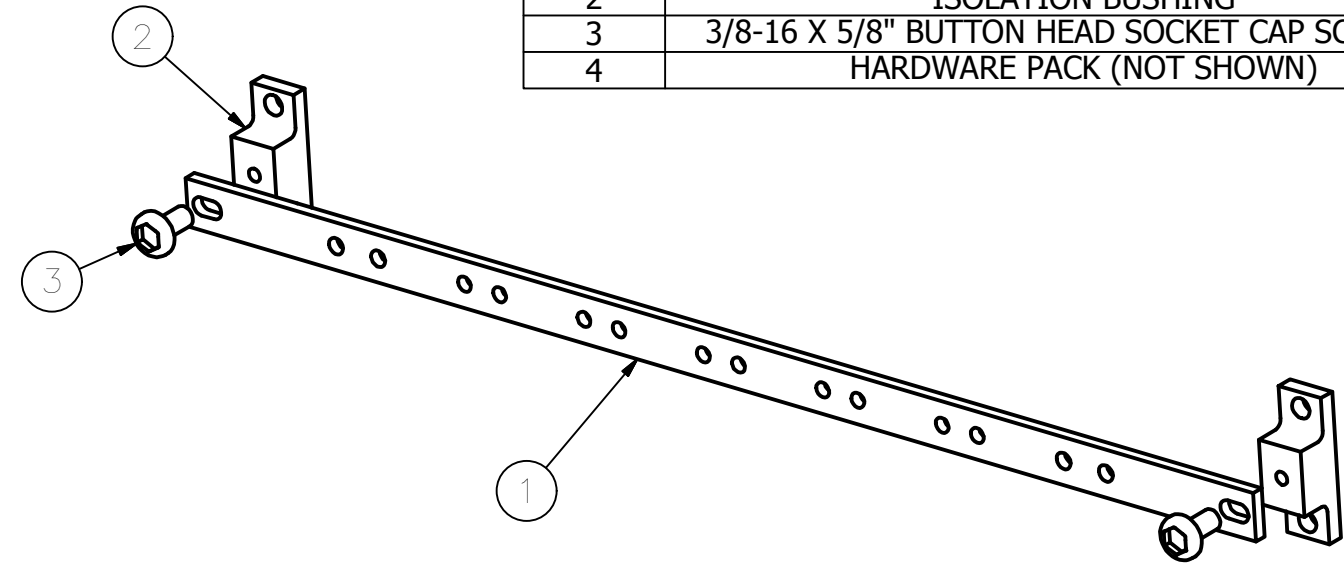
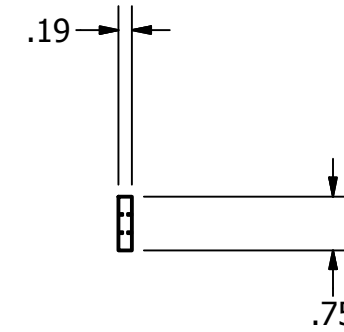
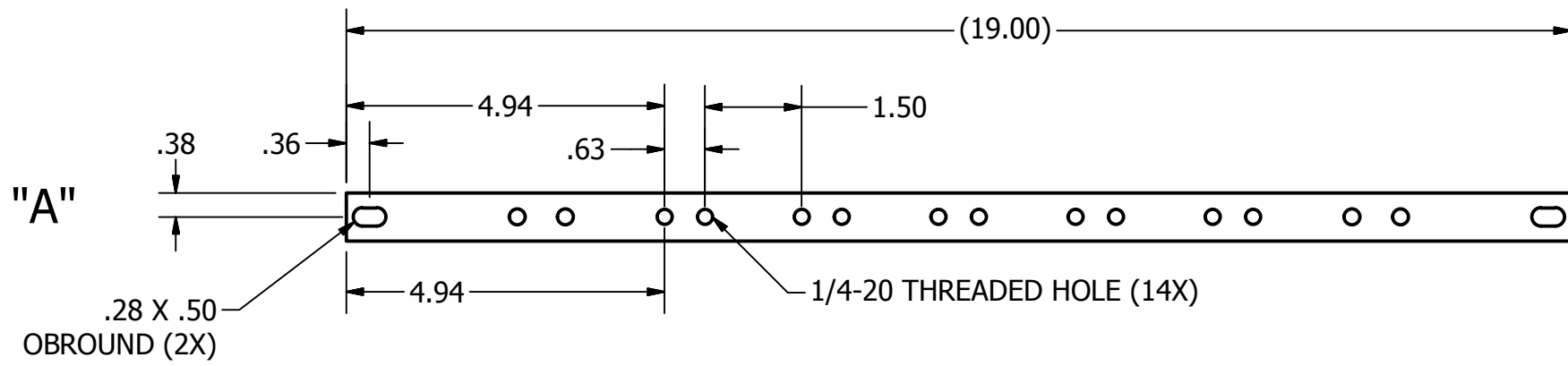


HPW CATALOG #	DESCRIPTION	PATTERN
HBBBHR19KT	19"W 3/4"H COPPER BUSBAR, BARE	"A"
HBBBHR19KTTP	19"W 3/4"W COPPER BUSBAR, TIN PLATED	"A"
HBBBHR191KT	KIT, BUSBAR, 1.25"x19", 10D	"B"
HBBBHR191KTTP	KIT, BUSBAR, 1.25"x19", 10D, TIN PLATED	"B"

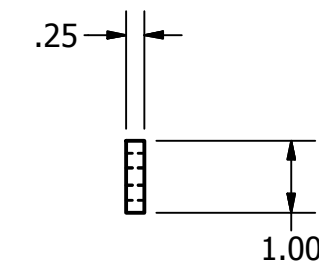
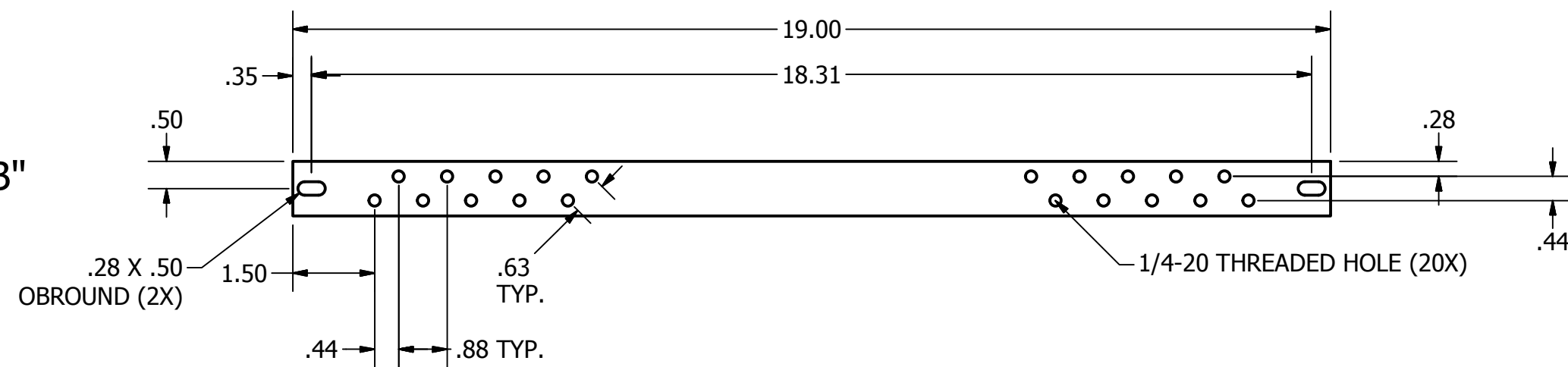
ITEM	DESCRIPTION	QTY
1	BUSBAR	1
2	ISOLATION BUSHING	2
3	3/8-16 X 5/8" BUTTON HEAD SOCKET CAP SCREW SS	4
4	HARDWARE PACK (NOT SHOWN)	1



PATTERN "A"



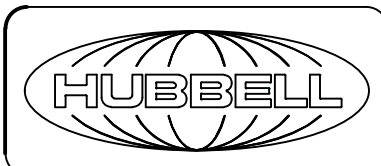
PATTERN "B"



NOTES:

- SPECIFICATION SUBJECT TO CHANGE WITHOUT NOTICE.

REV	ECN	DATE	DESCRIPTION	CHG BY	APPD BY
3	22443	6/7/17	ADDED ONE MORE VERSION	MMA	DO

Created on INVENTOR	DIMENSIONING AND TOLERANCE PER ANSI Y14.5M-1982. UNLESS OTHERWISE SPECIFIED, DIMENSIONS ARE IN INCHES (MM). TOLERANCES: XX = ±.01 (.25). XXX = ±.005 (.127). XXXX = ±.0025 (.0635). ANGLE TOL ±1°		PROJECT REFERENCE: 2011-041		 Hubbell Premise Wiring HUBBELL INCORPORATED (Delaware) 14 Lord's Hill Road, Stonington, Connecticut 06378					
	IN ACCEPTING OUR DRAWINGS, BLUEPRINTS, OR SUPPORTING DOCUMENTATION FOR QUOTATION OR OTHER PURPOSES, YOU AGREE NOT TO DISCLOSE TO OTHERS THE IDEAS, INFORMATION, OR DESIGNS SHOWN HEREIN, AND THAT YOU WILL MAKE NO USE OF SAME WITHOUT PERMISSION		MATERIAL: SEE NOTES							
			DRAWN BY: C. GRIBBLE 5/23/12		TITLE: BUSBAR, 19" RACK MOUNT					
			CHECKED BY:		<table border="1"> <tr> <td>SIZE</td> <td>DRAWING NO.</td> <td>REV.</td> </tr> <tr> <td>C</td> <td>HWS13031C</td> <td>3</td> </tr> </table>	SIZE	DRAWING NO.	REV.	C	HWS13031C
SIZE	DRAWING NO.	REV.								
C	HWS13031C	3								

SCALE: NTS SHEET 1 OF 1