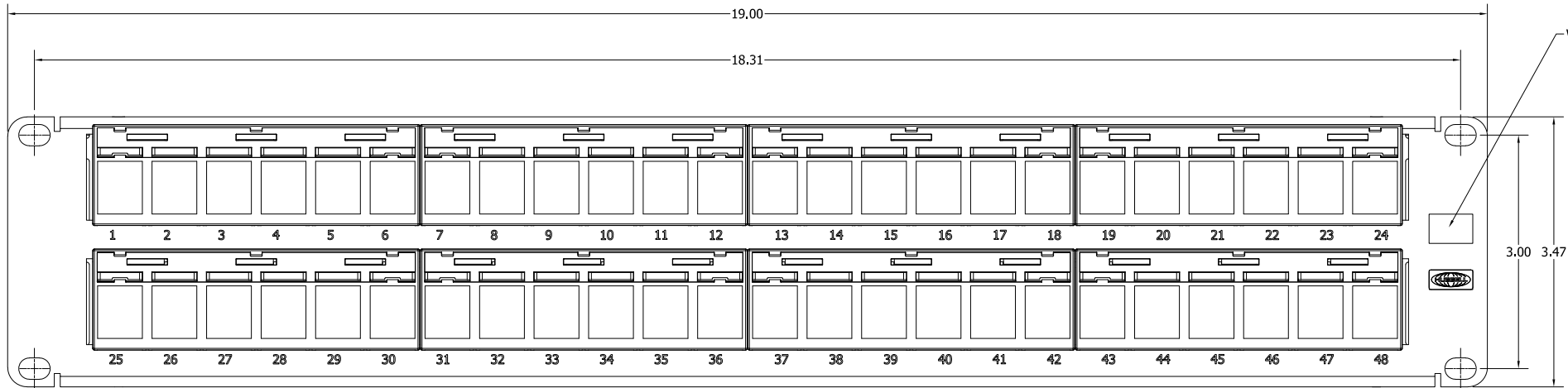
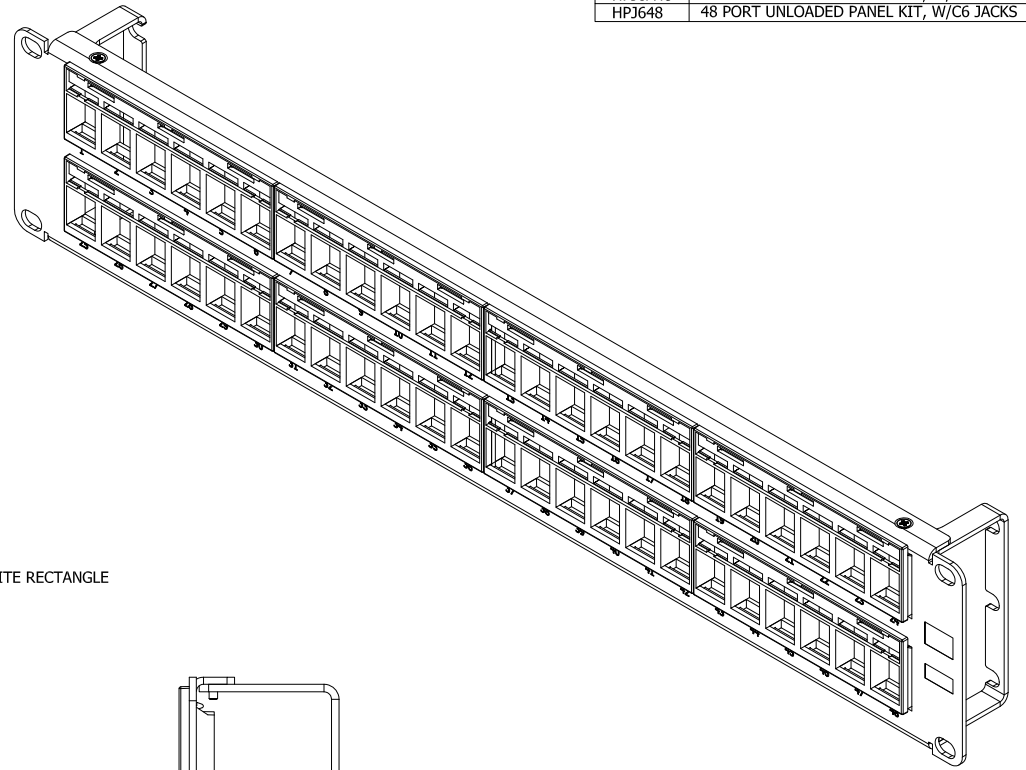
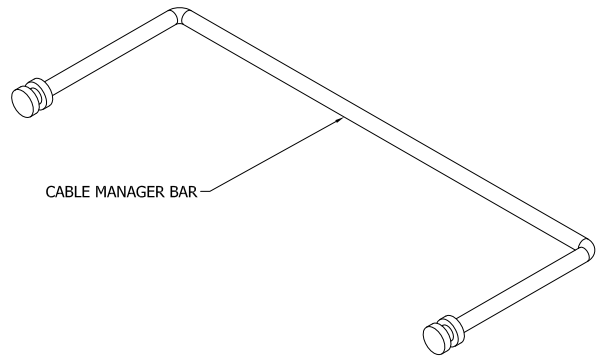
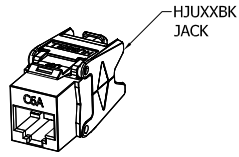
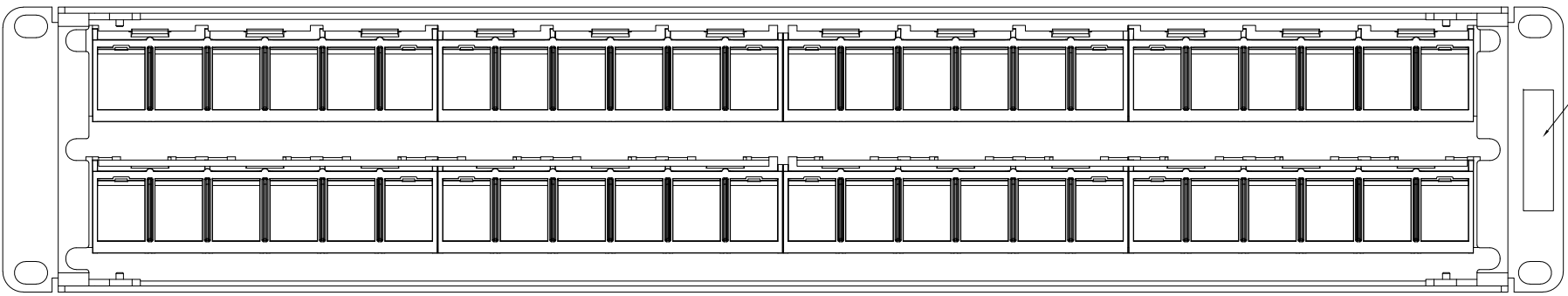
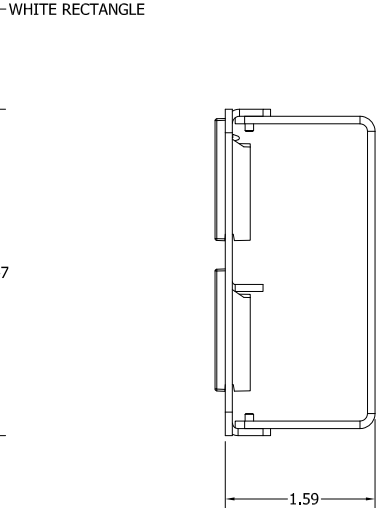


CATALOG	DESCRIPTION
HPJ6A48	48 PORT UNLOADED PANEL KIT, W/C6A JACKS
HPJ648	48 PORT UNLOADED PANEL KIT, W/C6 JACKS



FRONT VIEW



REAR VIEW

- NOTES:
- PRODUCT INCLUDES
 - (1) PATCH PANEL ASSEMBLY
 - (8) LABEL CARDS
 - (8) CLEAR LABEL COVERS
 - (1) HARDWARE PACK
 - (1) INSTRUCTIONS
 - (2) 24 PACK HJU SERIES JACKS
 - (2) CABLE MANAGER BAR
 - SPECIFICATIONS SUBJECT TO CHANGE WITHOUT NOTICE

Created on INVENTOR	DIMENSIONING AND TOLERANCE PER ANSI Y14.5M-1982 UNLESS OTHERWISE SPECIFIED, DIMENSIONS ARE IN INCHES (MM). TOLERANCES: XX = ±.01 (.25) .XXX = ±.005 (.127) .XXXX = ±.0025 (.0635) ANGLE TOL ±1°		PROJECT REFERENCE: NPD-02962		<p>Hubbell Premise Wiring HUBBELL INCORPORATED (Delaware) 23 CLARA DRIVE, SUITE 103 MYSTIC, CT 06355</p>					
	IN ACCEPTING OUR DRAWINGS, BLUEPRINTS, OR SUPPORTING DOCUMENTATION FOR QUOTATION OR OTHER PURPOSES, YOU AGREE NOT TO DISCLOSE TO OTHERS THE IDEAS, INFORMATION, OR DESIGNS SHOWN HEREIN, AND THAT YOU WILL MAKE NO USE OF SAME WITHOUT PERMISSION		DRAWN BY: D.O'CONNOR 9/12/19			TITLE: 48 PORT UNLOADED PANEL KIT, W/ BLACK HJU SERIES JACKS				
	REV. ECN DATE DESCRIPTION CHG BY APPD BY		CHECKED BY:			<table border="1"> <tr> <td>SIZE</td> <td>DRAWING NO.</td> <td>REV.</td> </tr> <tr> <td>D</td> <td>HWS14903C</td> <td>2</td> </tr> </table>	SIZE	DRAWING NO.	REV.	D
SIZE	DRAWING NO.	REV.								
D	HWS14903C	2								

REV.	ECN	DATE	DESCRIPTION	CHG BY	APPD BY
2	201120002611		ADDED HPJ648	DPO	MMA
1	23840	9/12/19	INITIAL RELEASE	DPO	MMA